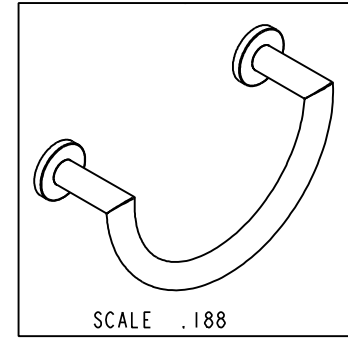
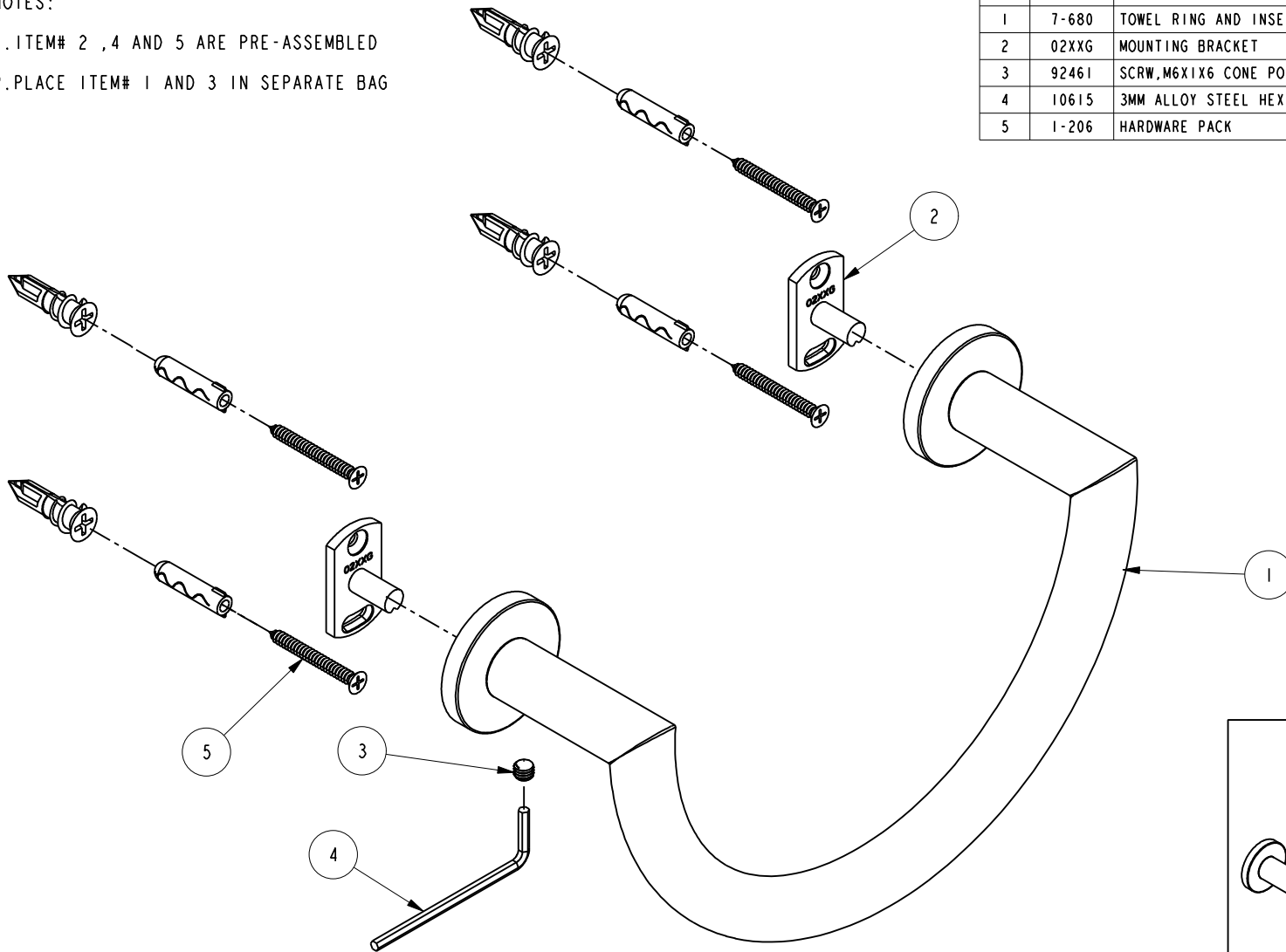


NOTES:

- 1. ITEM# 2 , 4 AND 5 ARE PRE-ASSEMBLED
- 2. PLACE ITEM# 1 AND 3 IN SEPARATE BAG

**BILL OF MATERIAL (CURRENT LEVEL)**

ITEM	PT/ASSY	DESCRIPTION	TYPE	QTY.
1	7-680	TOWEL RING AND INSERT ASSY	ASSEMBLY	1
2	02XXG	MOUNTING BRACKET	PART	2
3	92461	SCRW, M6X1X6 CONE POINT SS SET SCREW	PART	2
4	10615	3MM ALLOY STEEL HEX KEY	PART	1
5	1-206	HARDWARE PACK	ASSEMBLY	2



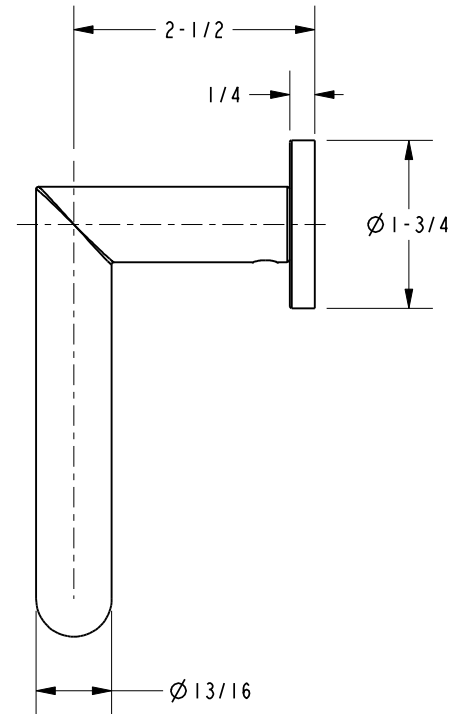
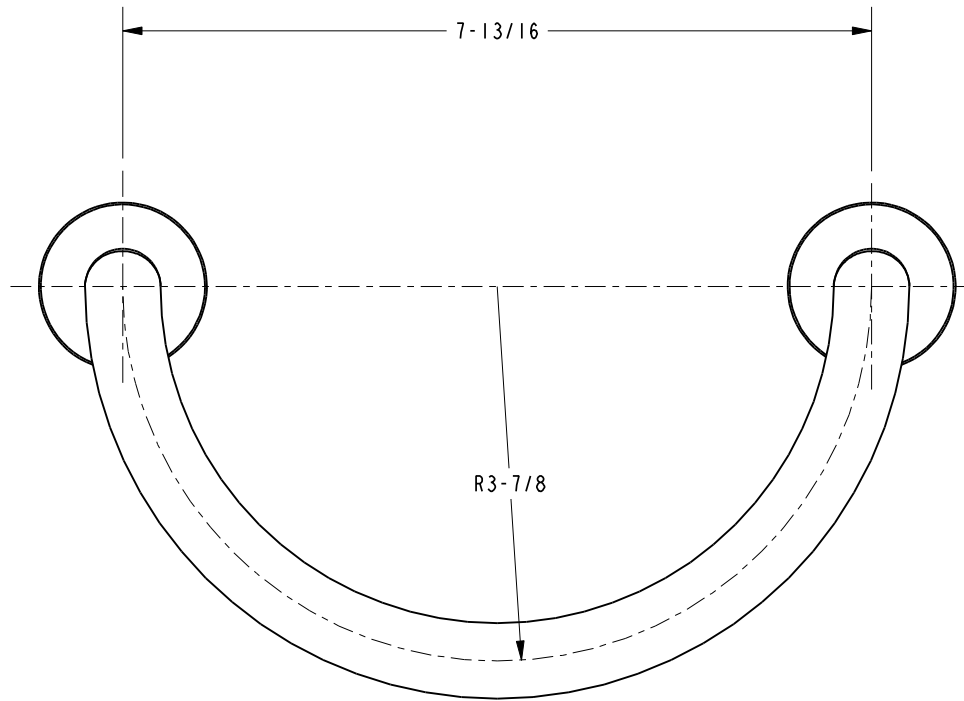
COPYRIGHT 2005 BRASSTECH, INC. THESE DRAWINGS AND THE DESIGNS DEPICTED HEREIN ARE THE PROPRIETARY PROPERTY OF BRASSTECH. ANY USE OR REPRODUCTION IS SUBJECT TO THE EXPRESS APPROVAL OF BRASSTECH. UNAUTHORIZED USE IS STRICTLY PROHIBITED. ALL RIGHTS RESERVED.

**BRASSTECH**  
INCORPORATED  
2001 E. CARNEGIE AVE.  
SANTA ANA, CA 92705  
(949) 417-5207

TOWEL RING

ASSY. NO.	36-09			-	-	-
SCALE .500	REF. -	SHEET 1 OF 2	REV	REV DESC	DATE	
				EN-0995-1	11/10/10	

**SPECIFICATION DWG**



DIMENSIONS ARE IN INCHES AND AN APPROXIMATION OF A TYPICAL INSTALLATION

COPYRIGHT 2005 BRASSTECH, INC. THESE DRAWINGS AND THE DESIGNS DEPICTED HEREIN ARE THE PROPRIETARY PROPERTY OF BRASSTECH. ANY USE OR REPRODUCTION IS SUBJECT TO THE EXPRESS APPROVAL OF BRASSTECH. UNAUTHORIZED USE IS STRICTLY PROHIBITED. ALL RIGHTS RESERVED.

<b>BRASSTECH</b>		2001 E. CARNEGIE AVE. SANTA ANA, CA 92705 (949) 417-5207	
DWG NO.	36-09	REF.	REV -
SCALE	.500	SHEET	2 OF 2