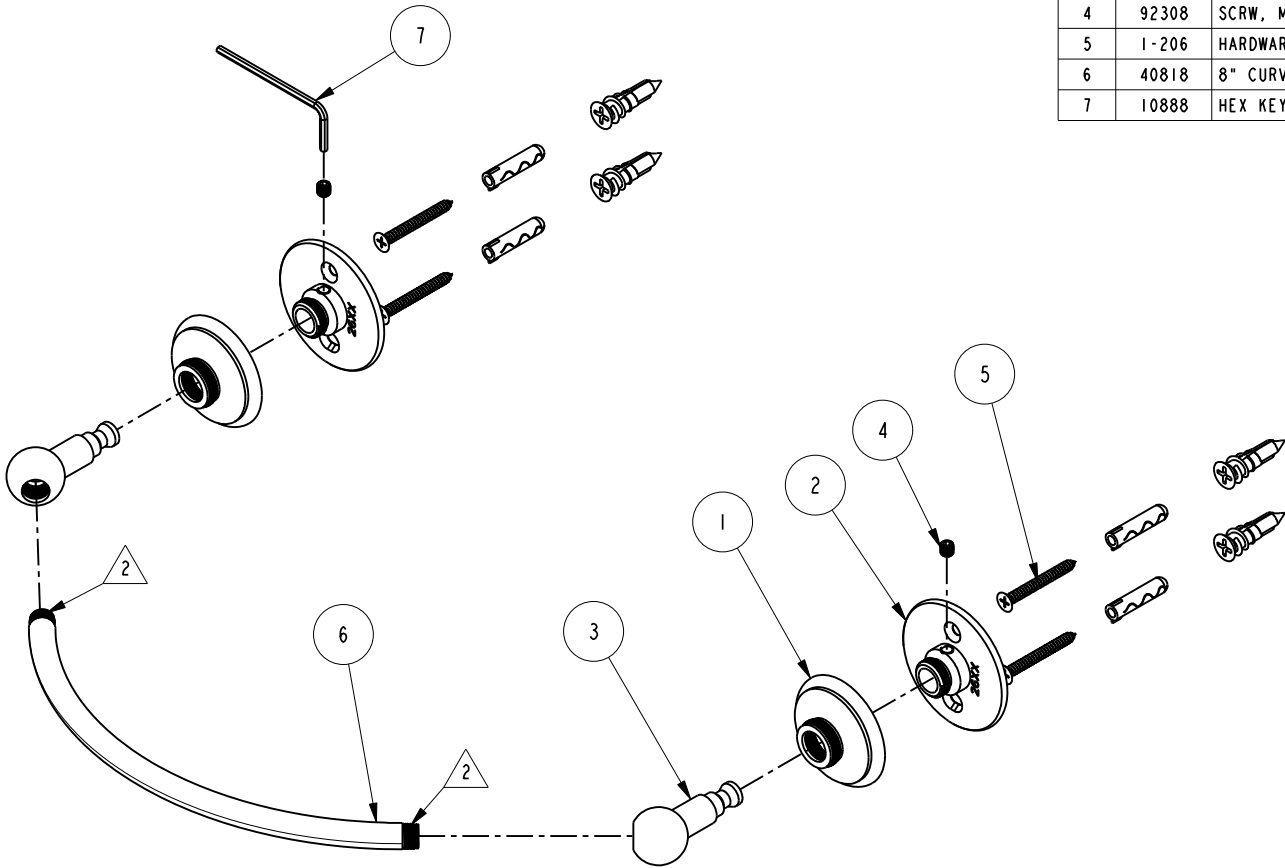


NOTES:

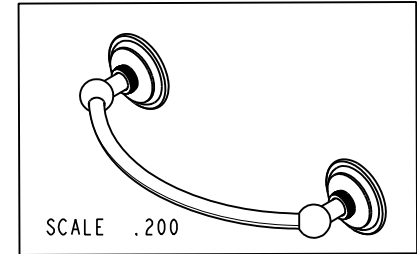
1. FIT / FORM / FUNCTION SHALL FOLLOW PS-E.008.

2 APPLY LOCTITE 680 TO THREADS.



BILL OF MATERIAL (CURRENT LEVEL)

ITEM	PT/ASSY	DESCRIPTION	TYPE	QTY.
1	40805	ROSETTE	PART	2
2	26XX	MOUNTING FLANGE	PART	2
3	40817	TOWEL BAR POST	PART	2
4	92308	SCRW. M5 X 5 SKT HD CUP PT W/ SELF LOC SS	PART	2
5	1-206	HARDWARE PACK	ASSEMBLY	2
6	40818	8" CURVED TOWEL BAR	PART	1
7	10888	HEX KEY, 2.5MM ALLOY STEEL	PART	1



TESTING	-	-	-
ASSEMBLY	-	-	-
PLATING	-	-	-
POLISHING	-	NEXT ASSY	USED ON
MACHINING	-	APPLICATION	
TOOLING FIXTURE #	REMOVE ALL BURRS AND SHARP EDGES		

BRASSTECH 2001 CARNEGIE AVE.
INCORPORATED SANTA ANA, CA 92705
(949) 417-5207

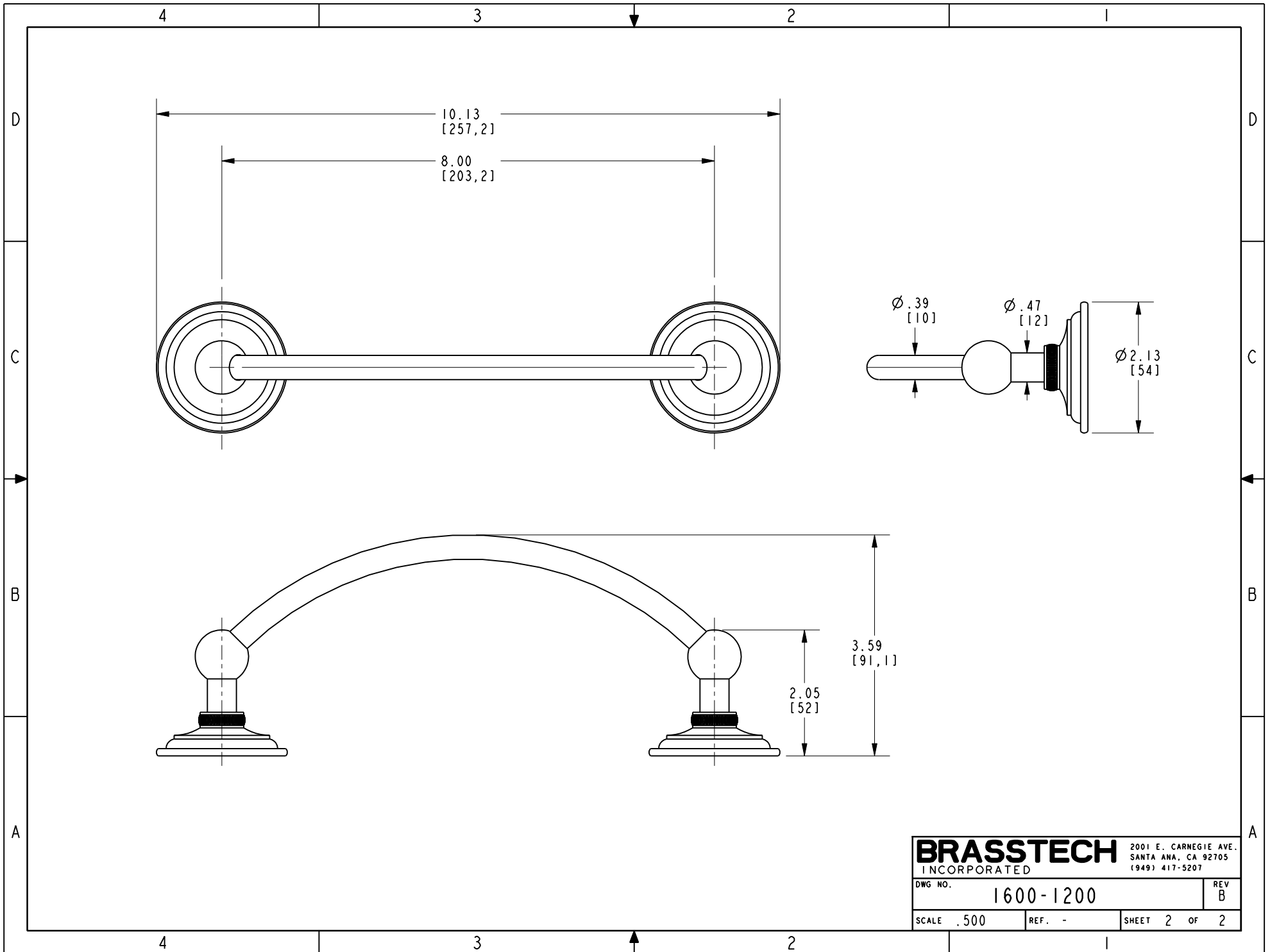
8" TOWEL BAR

DWG NO. 1600-1200 REV B

SCALE .350 REF. - SHEET 1 OF 2

ZONE	REV	DESCRIPTION	DATE	APPROVED
-	B	EN-4022	11/12/19	J.M.
-	A	EN-3966	09/17/19	J.M.
-	-	EN-3914	08/09/19	J.M.

COPYRIGHT 2005 BRASSTECH, INC. THESE DRAWINGS AND THE DESIGNS DEPICTED HEREIN ARE THE PROPRIETARY PROPERTY OF BRASSTECH. ANY USE OR REPRODUCTION IS SUBJECT TO THE EXPRESS APPROVAL OF BRASSTECH. UNAUTHORIZED USE IS STRICTLY PROHIBITED. ALL RIGHTS RESERVED.



BRASSTECH		2001 E. CARNEGIE AVE. SANTA ANA, CA 92705 (949) 417-5207	
DWG NO.	1600-1200	REV	B
SCALE .500	REF. -	SHEET 2	OF 2