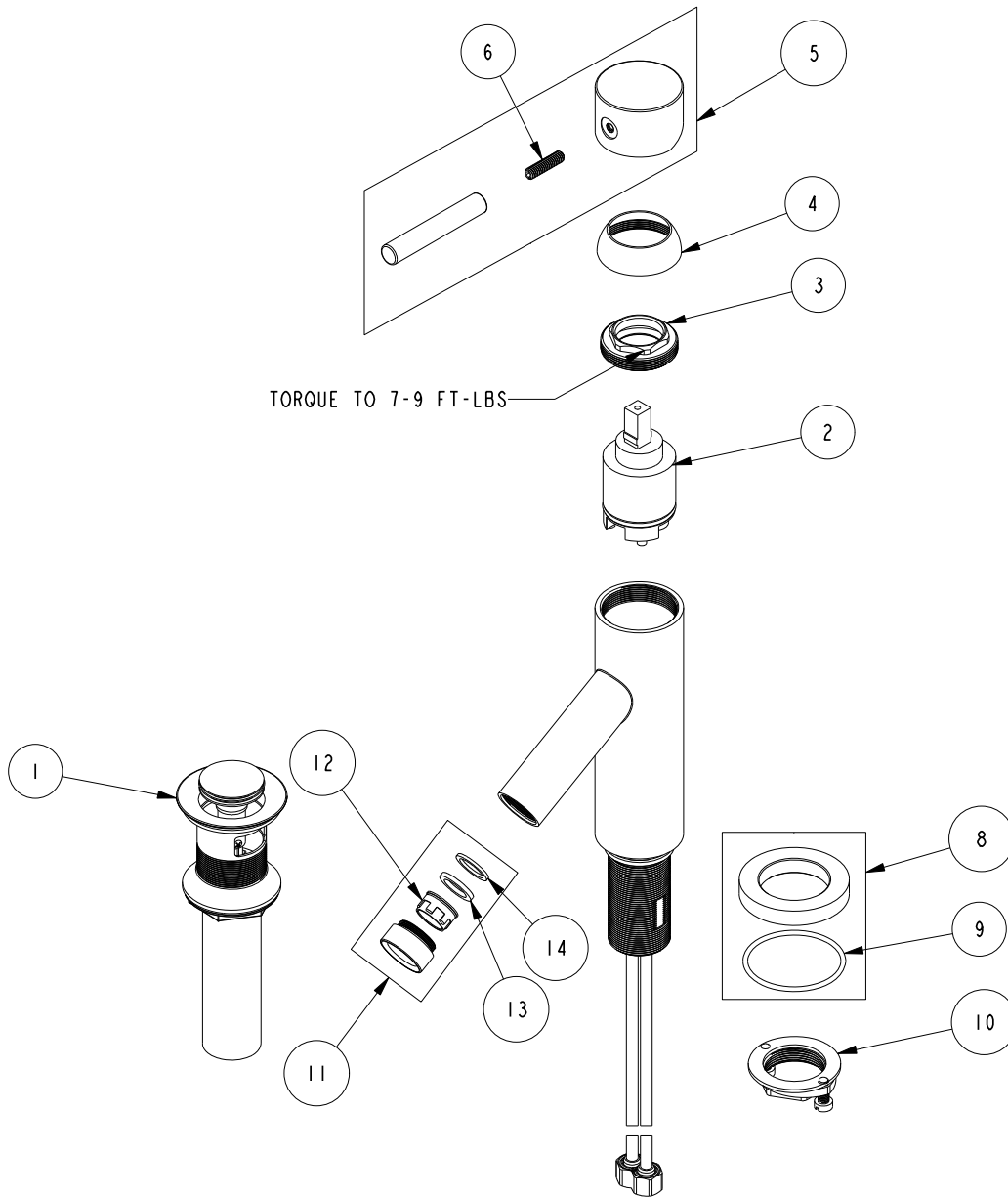


REPLACEMENT PARTS

ITEM	PT/ASSY	SPECIFY FINISH	DESCRIPTION
1	330	YES	DRAIN, PUSH DOWN, W/ OVERFLOW
2	1-100		CARTRIDGE ASM
3	92135		MOUNTING NUT - CARTRIDGE
4	11019	YES	ESCUTCHEON - CARTRIDGE
5	2-334	YES	HANDLE ASM
6	92134		SCRW, 1/4-20 X 1" SKT HD CUP PT SS (MMC# 92311A542)
8	20-351	YES	BASE RING ASM
9	91753		O-RING, # 2-136, EP, 50 DURO - GREY
10	1-256		MOUNTING KIT
11	2-629	YES	AERATOR ASM
12	12404		AERATOR INSERT, STD SIZE, 1.2 GPM
13	91014		WSHR, .59 ID X .84 OD X .095 THK, FLT, RUBBER NSF 61
14	91040		WSHR, .590 ID X .825 OD X .072 THK, FLT, RUBBER NSF 61



**SGL HDL LAV FAUCET
1503**

REV L EN-4735 01/08/24 APPROVED R.S.

NEWPORT BRASS.

t: 949.417.5207 | www.newportbrass.com