
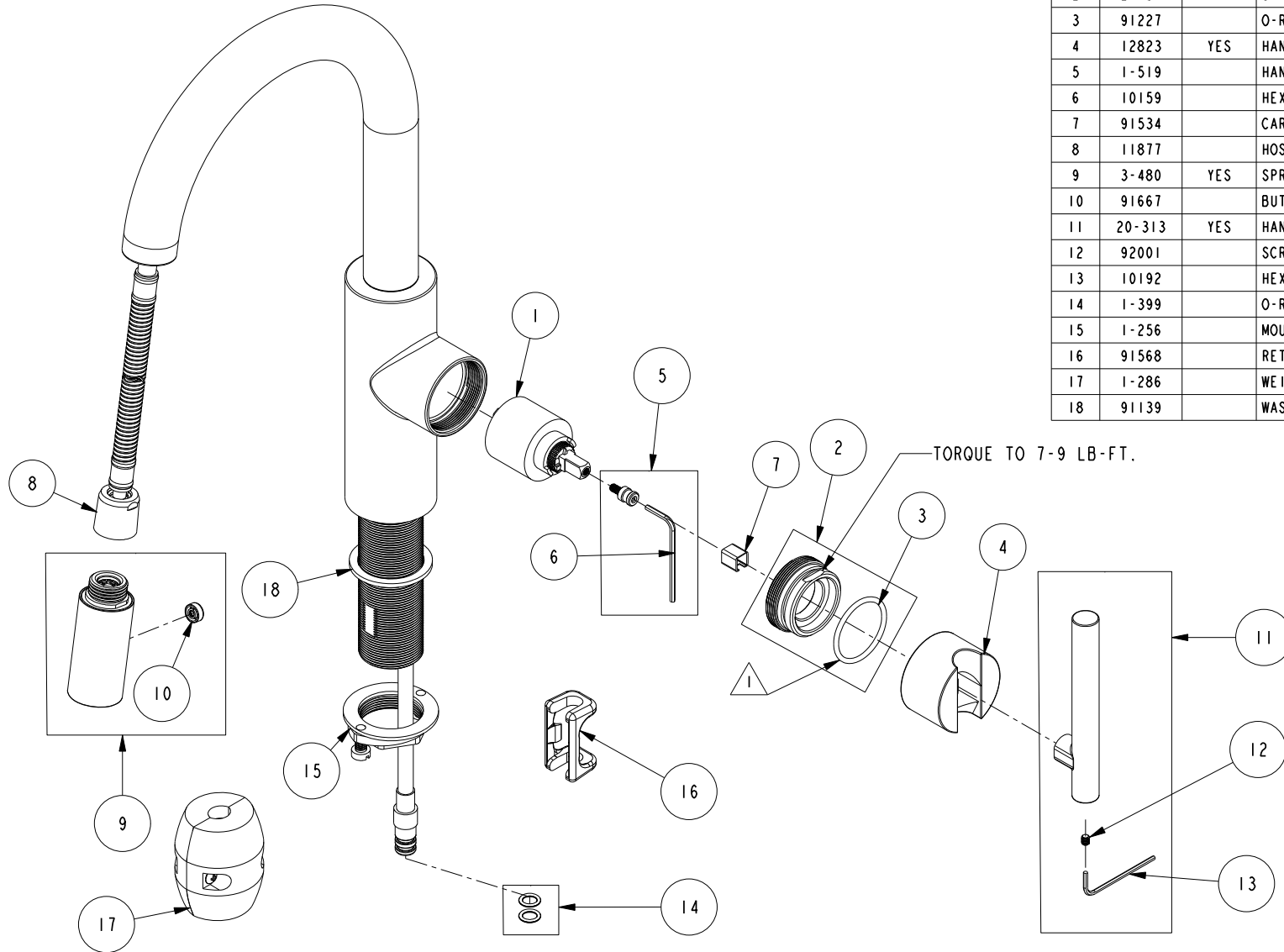


REPLACEMENT PARTS

NOTE:

 USE SILICON GREASE (PART NUMBER 6727) TO LUBRICATE O-RINGS BEFORE INSTALL.

ITEM	PT/ASSY	SPECIFY FINISH	DESCRIPTION
1	1-064		SINGLE LEVER CARTRIDGE
2	2-781		CART. RETAINER ASM
3	91227		O-RING, #2-125 EPDM
4	12823	YES	HANDLE HUB
5	1-519		HANDLE ADAPTER SCREW WITH HEX KEY
6	10159		HEX KEY, 3/32 ALLOY STEEL
7	91534		CARTRIDGE STEM INSERT
8	11877		HOSE, PULLDOWN SWIVEL
9	3-480	YES	SPRAY HEAD, EAST LINEAR
10	91667		BUTTON
11	20-313	YES	HANDLE LEVER ASM
12	92001		SCRW, 8-32 X 3/16 SKT HD FLT PT SS
13	10192		HEX KEY TOOL, #8 5/64
14	1-399		O-RING KIT FOR SPOUT PEX CONECTION
15	1-256		MOUNTING KIT
16	91568		RETAINER CLIP
17	1-286		WEIGHT ASM
18	91139		WASHER RBR 1-3/8



EAST LINEAR PULL DOWN - BAR/PERP FAUCET
1500-5223

NEWPORT BRASS.

t: 949.417.5207 | www.newportbrass.com