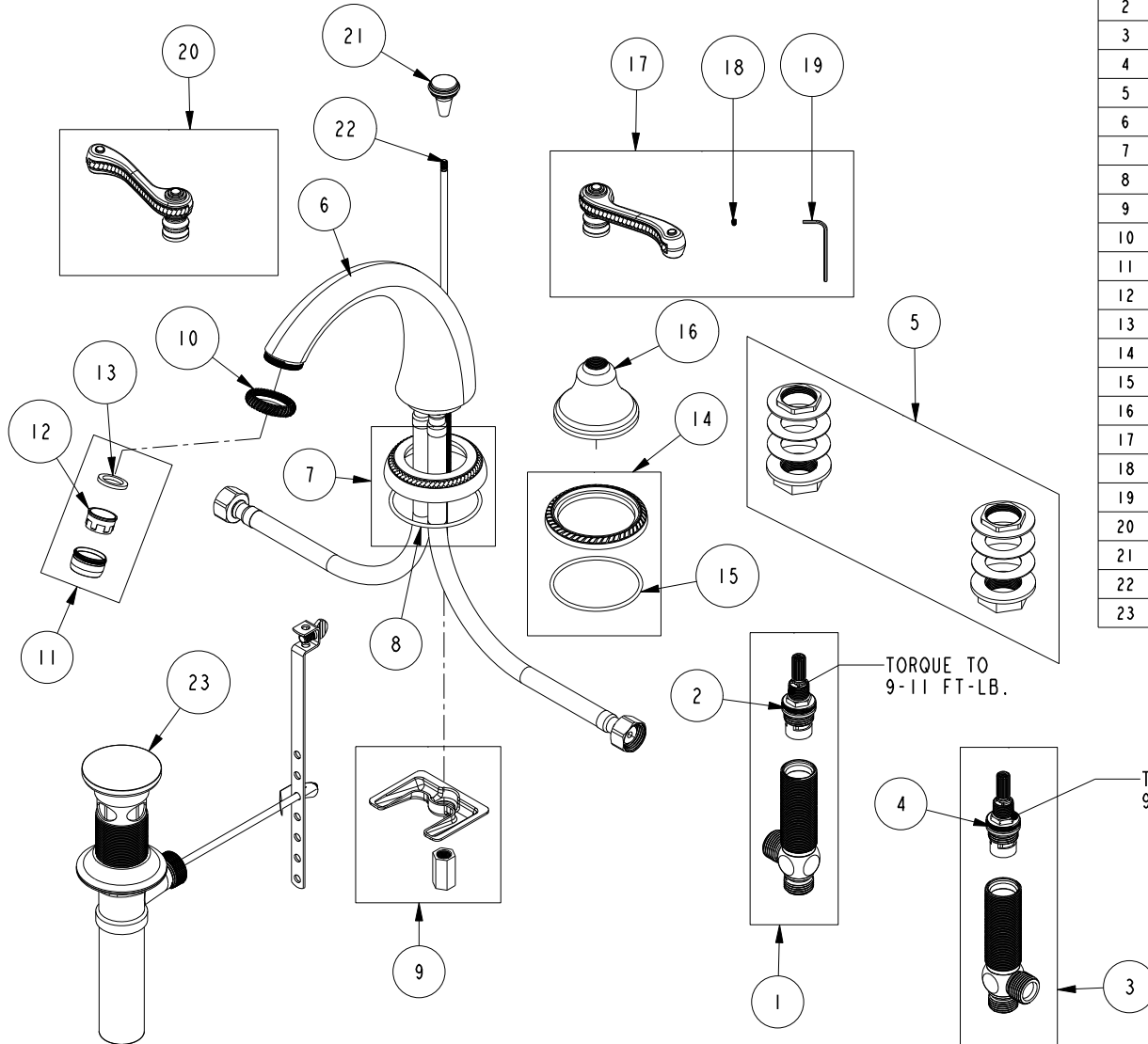


REPLACEMENT PARTS



ITEM	PT/ASSY	SPECIFY FINISH	DESCRIPTION
1	1-527		W/S CART/BODY ASM (HOT)
2	1-002		W/S CARTRIDGE - HOT
3	1-526		W/S CART/BODY ASM (COLD)
4	1-001		W/S CARTRIDGE - COLD
5	1-027		WIDE SPREAD MOUNTING HARDWARE
6	3-347	YES	W/S SPOUT ASM
7	20-726	YES	ESCUTCHEON ASM
8	91755		O-RING, #2-142, EPDM, 50 DURO - GREY
9	1-514		SPOUT MOUNTING KIT ASM
10	10852	YES	WIDESPREAD SPOUT RING
11	2-627	YES	AERATOR ASM
12	12404		AERATOR INSERT, STD SIZE, 1.2 GPM
13	91014		WSHR, .59 ID X .84 OD X .095 THK, FLT, RUBBER NSF 61
14	20-727	YES	ESCUTCHEON ASM
15	91755		O-RING, #2-142, EPDM, 50 DURO - GREY
16	10437	YES	ESCUTCHEON
17	2-182	YES	HANDLE ASM - RIGHT
18	92000		SCREW 8 - 32 X 1/8 SS
19	10192		HEX KEY TOOL, #8 5/64
20	2-181	YES	HANDLE ASM - LEFT
21	10021	YES	POP-UP KNOB
22	10288	YES	3/16" POP UP ROD
23	325	YES	POP UP ASSEMBLY

**WIDESPREAD FAUCET
1020**

REV F EN-4728 10/23/23 APPROVED RS

NEWPORT BRASS.

t: 949.417.5207 | www.newportbrass.com