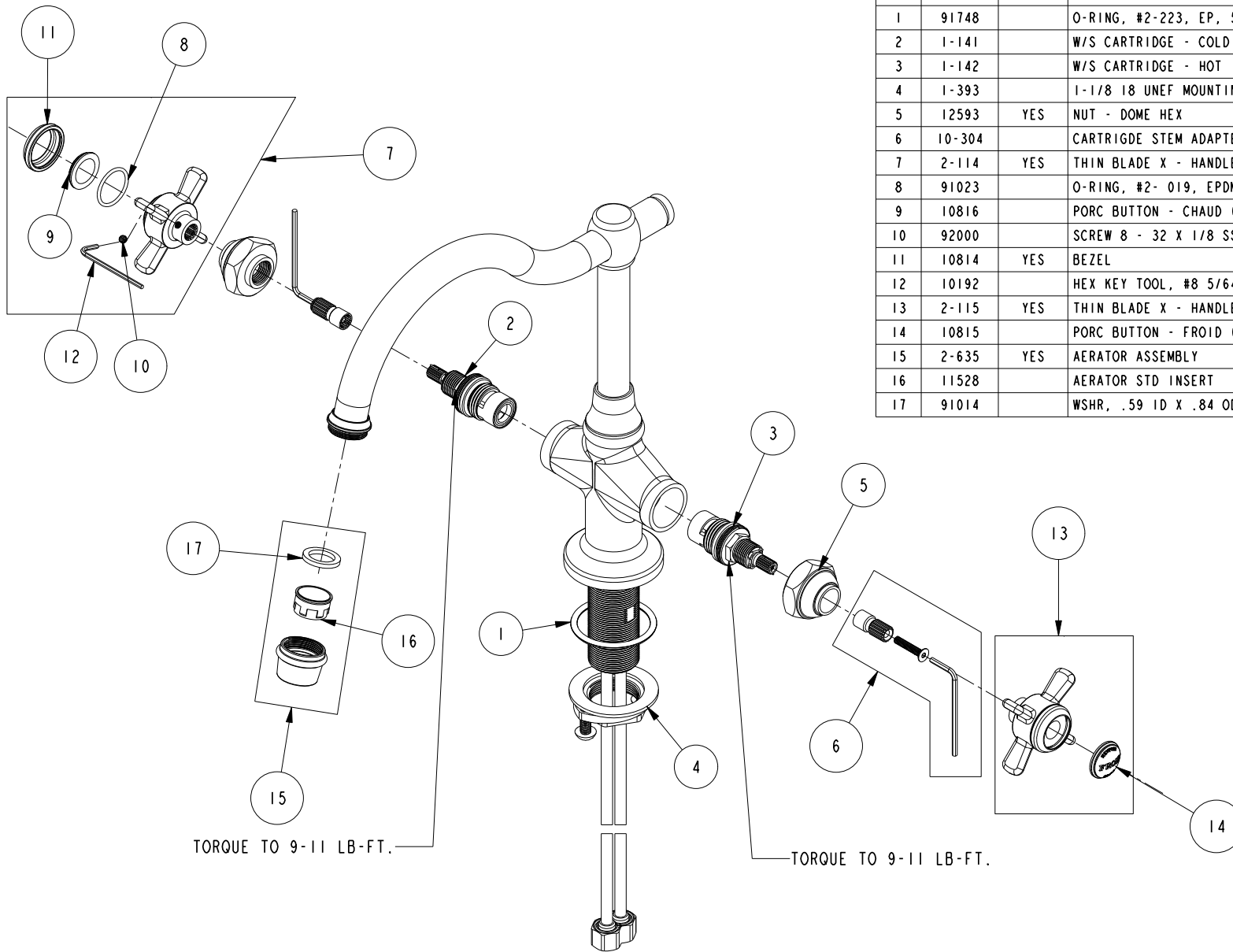


REPLACEMENT PARTS

ITEM	PT/ASSY	SPECIFY FINISH	DESCRIPTION
1	91748		O-RING, #2-223, EP, 50 DURO - GREY
2	1-141		W/S CARTRIDGE - COLD
3	1-142		W/S CARTRIDGE - HOT
4	1-393		1-1/8 18 UNEF MOUNTING KIT
5	12593	YES	NUT - DOME HEX
6	10-304		CARTRIDGE STEM ADAPTER KIT
7	2-114	YES	THIN BLADE X - HANDLE HOT
8	91023		O-RING, #2- 019, EPDM, 65-75 DURO, NSF 61
9	10816		PORC BUTTON - CHAUD (HOT)
10	92000		SCREW 8 - 32 X 1/8 SS
11	10814	YES	BEZEL
12	10192		HEX KEY TOOL, #8 5/64
13	2-115	YES	THIN BLADE X - HANDLE COLD
14	10815		PORC BUTTON - FROID (COLD)
15	2-635	YES	AERATOR ASSEMBLY
16	11528		AERATOR STD INSERT
17	91014		WSHR, .59 ID X .84 OD X .095 THK, FLT, RUBBER NSF 61



BAR FAUCET
1008

REV K EN-4741 12/05/23 APPROVED KN

NEWPORT BRASS.

t: 949.417.5207 | www.newportbrass.com