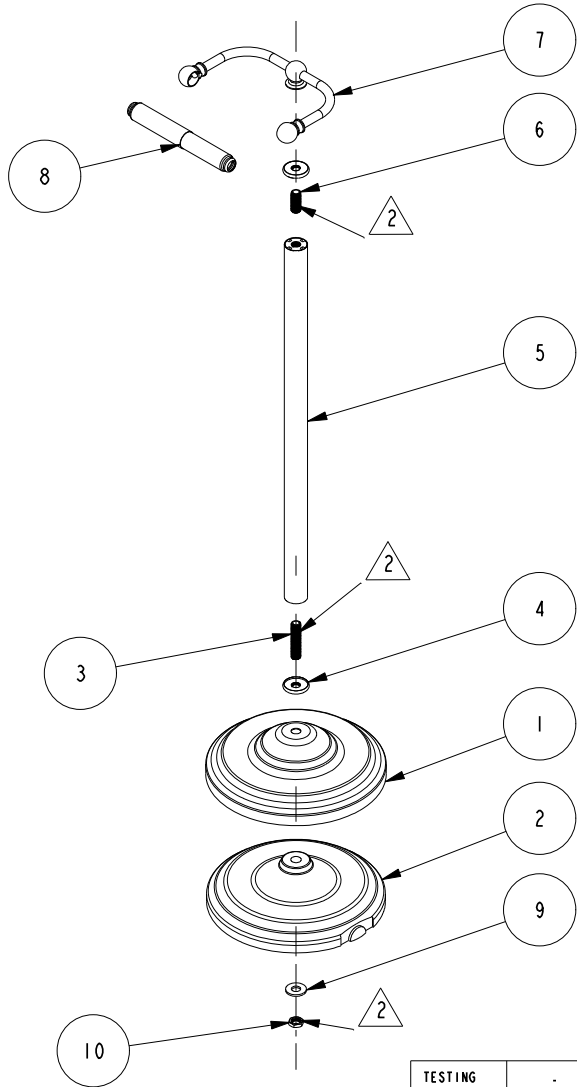


NOTES:

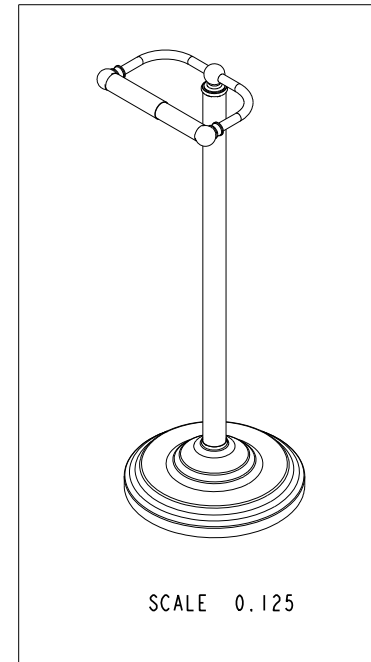
(N1) 1. FIT / FORM / FUNCTION SHALL FOLLOW PS-E.008.

(N2)  USE LOCTITE 680



**BILL OF MATERIAL (CURRENT LEVEL)**

ITEM	PT/ASSY	DESCRIPTION	TYPE	QTY.
1	50567	BASE, TISSUE HOLDER	PART	1
2	50573	BASE WEIGHT	PART	1
3	50569	ALLTHREAD 1 3/4" LONG - 1/8-27	PART	1
4	50568	CAP SUPPORT, SUPPORT TUBE	PART	2
5	6-016	SUPPORT TUBE	PART	1
6	50570	ALLTHREAD .96" LONG - 1/8-27	PART	1
7	6-017	TISSUE ROLL HOLDER ASSY	ASSEMBLY	1
8	2-184	TISSUE ROLLER ASSEMBLY	ASSEMBLY	1
9	50528	WSHR, 10 ID X 22 OD X 2MM THK, FLT, ZnPLATED	PART	1
10	92091	NUT 1/8-27	PART	1



TESTING	-	-	-
ASSEMBLY	-	-	-
PLATING	-	-	-
POLISHING	-	NEXT ASSY	USED ON
MACHINING	-	APPLICATION	
TOOLING	FIXTURE #	REMOVE ALL BURRS AND SHARP EDGES	

UNITS ARE: INCHES [MM]  
 TOLERANCES ARE:  
 FRACTIONS DECIMALS ANGLES  
 $\pm 1/16"$  .X  $\pm .1$  [2.5]  $\pm 1^\circ$   
 .XX  $\pm .06$  [1.5]  
 (X.XXX) DENOTES CRITICAL DIMS.  
 ALL THREADS ARE CRITICAL  
 DRAWN I. MCKINNEY  
 CHECKED J. WOJTASZEK  
 APPROVED G. ESCALETTE

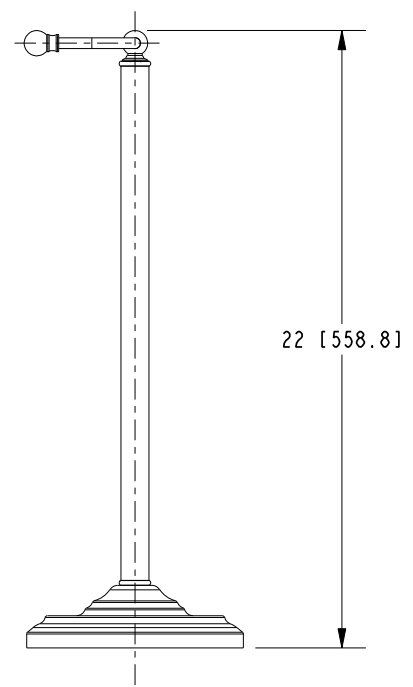
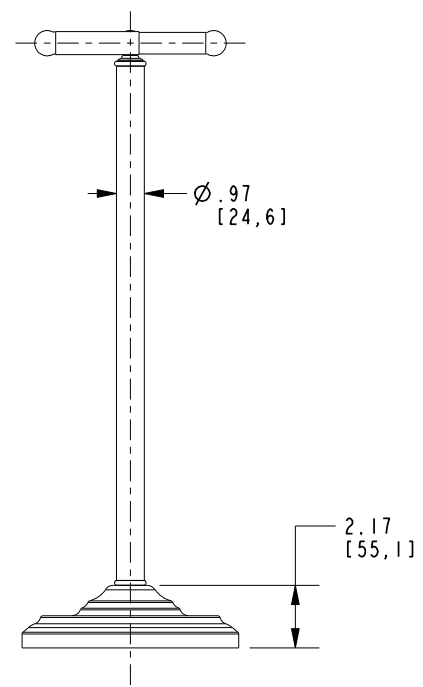
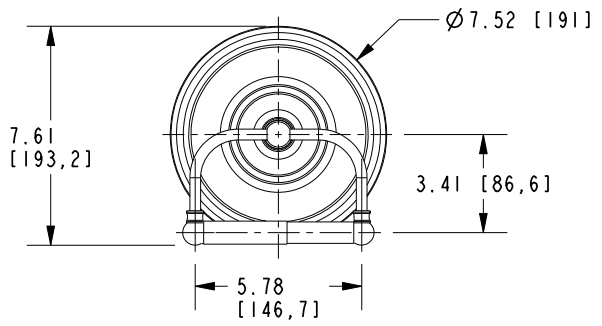
**BRASSTECH** 2001 CARNEGIE AVE.  
 INCORPORATED SANTA ANA, CA 92705  
 (949) 417-5207

**ASSY, TISSUE HOLDER,  
 FREE-STANDING**

DWG NO. **10-81** REV B

SCALE 0.125 REF. - SHEET 1 OF 2

-	B	EN-3128	08/25/16	J.M.	COPYRIGHT 2005 BRASSTECH, INC. THESE DRAWINGS AND THE DESIGNS DEPICTED HEREIN ARE THE PROPRIETARY PROPERTY OF BRASSTECH. ANY USE OR REPRODUCTION IS SUBJECT TO THE EXPRESS APPROVAL OF BRASSTECH. UNAUTHORIZED USE IS STRICTLY PROHIBITED. ALL RIGHTS RESERVED.
-	A	EO-0132	02/15/02	-	
-	-	RELEASED	3/27/99	-	
ZONE	REV	DESCRIPTION	DATE	APPROVED	



<b>BRASSTECH</b>		2001 E. CARNEGIE AVE.	
INCORPORATED		SANTA ANA, CA 92705	
		(949) 417-5207	
DWG NO.	10-81	REV	B
SCALE	0.150	REF.	-
		SHEET	2 OF 2