
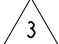

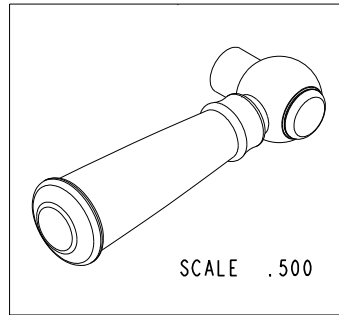
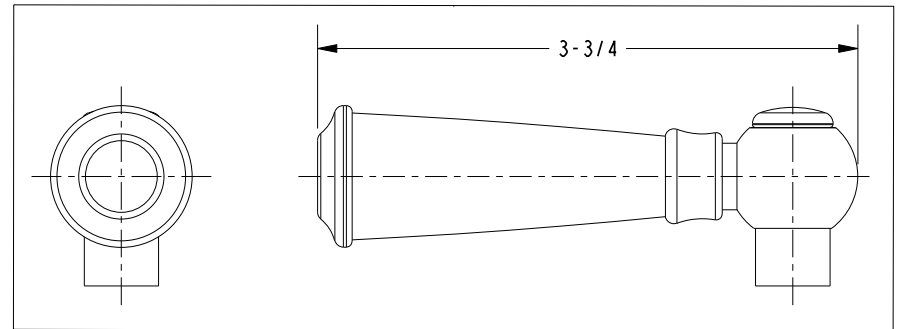
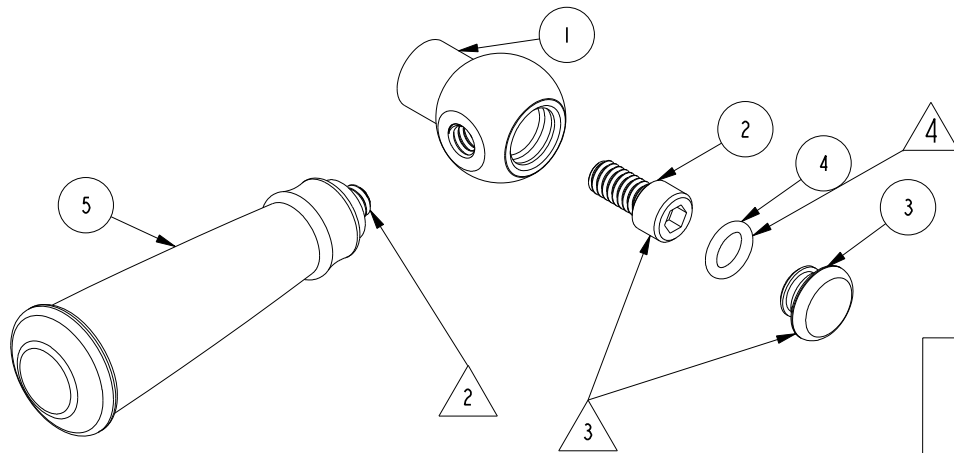


NOTES:

- (N1) 1. FIT / FORM / FUNCTION SHALL FOLLOW PS-E.008.
- (N2)  2 APPLY PERMANENT THREAD LOCKER (LOCTITE 680)
- (N3)  3 INSERT CAP, O-RING AND SCREW INTO HUB
- (N4)  4 APPLY A THIN FLIM OF DOW CORNING 111 SILICONE COMPOUND



| BILL OF MATERIAL (CURRENT LEVEL) |         |                                      |      |      |
|----------------------------------|---------|--------------------------------------|------|------|
| ITEM                             | PT/ASSY | DESCRIPTION                          | TYPE | QTY. |
| 1                                | 11646   | HUB, LEVER HANDLE THERMO             | PART | 1    |
| 2                                | 92141   | SCREW, CAP HD 1/4-20 X 1/2           | PART | 1    |
| 3                                | 11588   | HANDLE CAP                           | PART | 1    |
| 4                                | 91158   | O-RING, 2 X 7MM ID, EPDM, 65-75 DURO | PART | 1    |
| 5                                | 11587   | HANDLE LEVER                         | PART | 1    |



|                   |                                  |             |         |                                |
|-------------------|----------------------------------|-------------|---------|--------------------------------|
| TESTING           | -                                | -           | -       | UNITS ARE: INCHES [MM]         |
| ASSEMBLY          | -                                | -           | -       | TOLERANCES ARE:                |
| PLATING           | -                                | -           | -       | FRACTIONS DECIMALS ANGLES      |
| POLISHING         | -                                | NEXT ASSY   | USED ON | ±1/16" .X ±.1 [2,5] ±1°        |
| MACHINING         | -                                | APPLICATION |         | (X.XXX) DENOTES CRITICAL DIMS. |
| TOOLING FIXTURE # | REMOVE ALL BURRS AND SHARP EDGES |             |         | ALL THREADS ARE CRITICAL       |
|                   |                                  |             |         | DRAWN                          |
|                   |                                  |             |         | CHECKED                        |
|                   |                                  |             |         | APPROVED                       |

**BRASSTECH** 2001 CARNEGIE AVE.  
INCORPORATED SANTA ANA, CA 92705  
(949) 417-5207

**TANK LEVER ASSEMBLY-LEVER HANDLE**

DWG NO. **2-645** REV **B**

SCALE .750 REF. - SHEET | OF |

| ZONE | REV | DESCRIPTION | DATE     | APPROVED |
|------|-----|-------------|----------|----------|
| -    | B   | EN-2898     | 06/10/15 | -        |
| -    | A   | EN-2539     | 06/07/13 | -        |
| -    | -   | EN-1266-5   | 04/23/10 | -        |

COPYRIGHT 2005 BRASSTECH, INC. THESE DRAWINGS AND THE DESIGNS DEPICTED HEREIN ARE THE PROPRIETARY PROPERTY OF BRASSTECH. ANY USE OR REPRODUCTION IS SUBJECT TO THE EXPRESS APPROVAL OF BRASSTECH. UNAUTHORIZED USE IS STRICTLY PROHIBITED. ALL RIGHTS RESERVED.