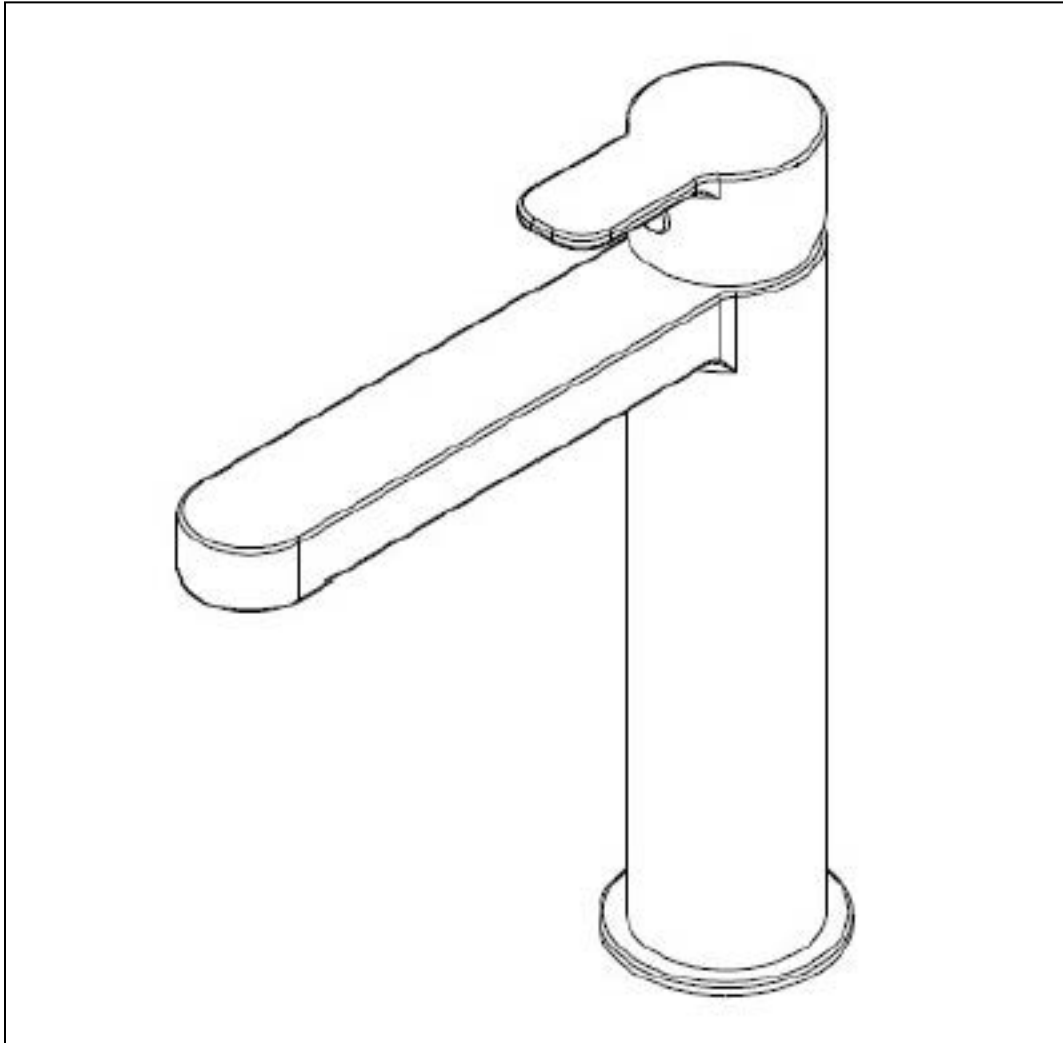


INSTALLATION INSTRUCTIONS  
SINGLE HOLE LAVATORY FAUCET  
MODEL No: 8233

NEWPORT  
365

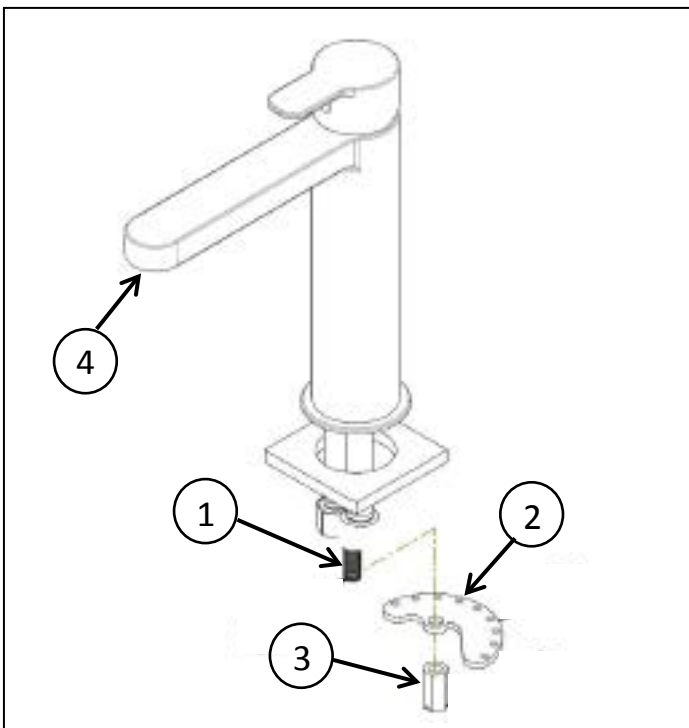


**Congratulations on the purchase of your Newport product, an excellent choice, that will give you years of quality service and enhance the look and style of your home.**

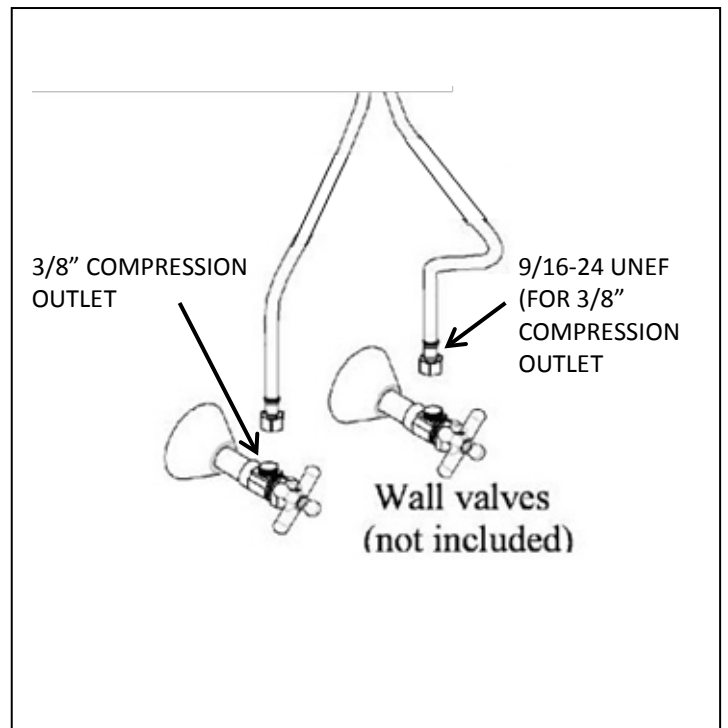
## Recommended Installation by a Professional Plumbing Contractor

Note: The use of petroleum base plumbers putty on our products will nullify the warranty. We recommend the use of clear silicone sealing materials. Recommended deck thru hole  $\text{\O} 1\text{-}3/8''$

1. Insert hoses through deck hole one at a time and secure spout into place with MOUNTING STUD (1), MOUNTING BRACKING (2), and MOUNTING NUT (3). **See Figure 1.**
2. Attach hot/cold water supply hoses to valves in the wall. **See Figure 2.**
3. With the faucet handle in the OFF position, turn on the wall valves and check for leak.
4. Use a quarter coin to remove the AERATOR ASSEMBLY (4) and open the faucet handle to flush out any debris.
5. Re-install the AERATOR ASSEMBLY (4).



**Figure 1**



**Figure 2**