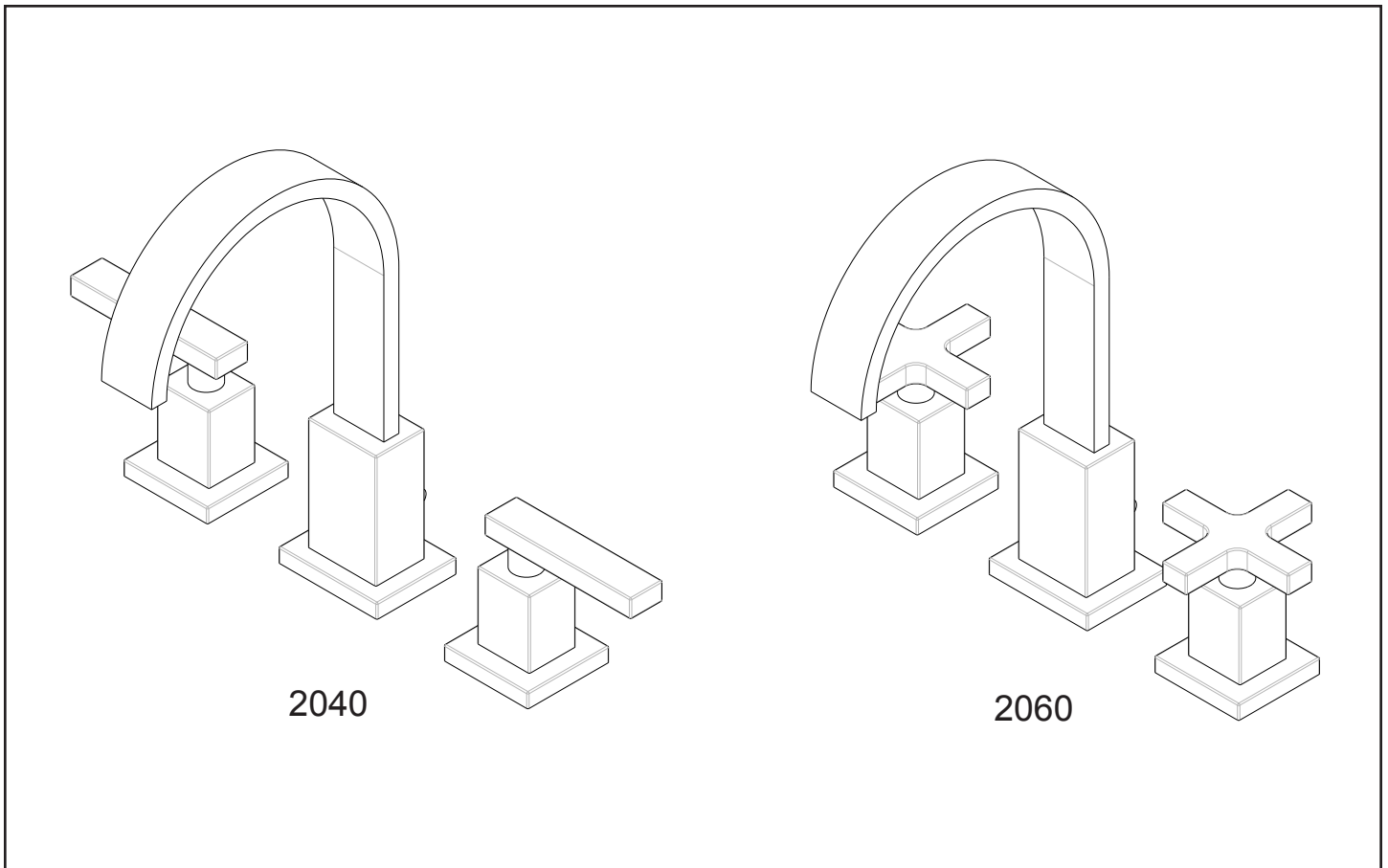


WIDESPREAD LAVATORY SET INSTALLATION INSTRUCTIONS

Model No: 2040, 2060



**Congratulations on the purchase
of this Newport Brass product,
an excellent choice, that will give you
years of quality service and enhance
the look and style of your home.**

Recommended Installation by a Professional Plumbing Contractor

Note: The use of petroleum base plumbers putty on our products will nullify the warranty. We recommend the use of clear silicone sealing materials. Minimum deck thickness is 5/8". Recommended deck hole \varnothing 1-3/8" for center hole and \varnothing 1-3/8" for two side holes.

1. Insert SHANK (2) and HOSE (4), through base ESCUTCHEON (3), O-RING (7) and sink hole. From underside of sink mounting CRESENT (5) and mounting NUT (6) onto spout SHANK (2). Align SPOUT (1) and secure into place by tightening mounting NUT (6). **See Figure 1.**
2. Place the plastic flange NUT (1) and fiber WASHER (2) onto valve BODY (3). Insert valve BODY (3) through sink hole from underside of sink. Thread inverted flange NUT (4) onto upper position of valve BODY (3) until it bottoms out. Valve BODY (3) should extend 1-3/8" above mounting surface. Secure into place by tightening lower flange NUT (1) to 20 ft.lbs. **See Figure 2.**
3. Connect larger coupling NUT (4) to T-VALVE (9) and NUT (8) to outlet of each valve BODY (3). Hand tighten and secure each connection with a wrench 1/4 turn. Connect water supply to VALVE BODIES (1, 1A) with one of the three following types of risers:
NOTE: SUPPLY RISERS ARE NOT INCLUDED - SOLD SEPARATELY
 - a. 1/2" IPS flexible riser, discard rubber NOSECONE (11), friction WASHER (12) and coupling NUT (13).
 - b. 3/8" or 1/2" O.D. bullnose riser, place friction WASHER (12) and coupling NUT (13) onto bullnose riser.
 - c. 1/2" O.D. copper riser, place coupling NUT (13), friction WASHER (12), and rubber NOSECONE (11) onto end of copper riser. **See Figure 3.** Use adjustable wrench to tighten connections. Do not over tighten and take care not to kink copper supply when bending. Use a tube bender and cutter to properly adjust copper supply. Turn VALVE STEM (3) to OFF position.
4. Place O-RING (4) and ESCUTCHEON (2) over VALVE STEM (3). Secure handle assembly into place by first engaging the VALVE STEM (3), then position and holding the handle LEVER (5) while rotating the BONNET (1) and ESCUTCHEON (2). Any adjustments for rotational alignment must be made to the valve body, not to the cartridge. **See Figure 4.**
5. With handles in OFF position, turn on water supplies and check all connections for leaks.
6. Operate both handles to flush water lines thoroughly.

