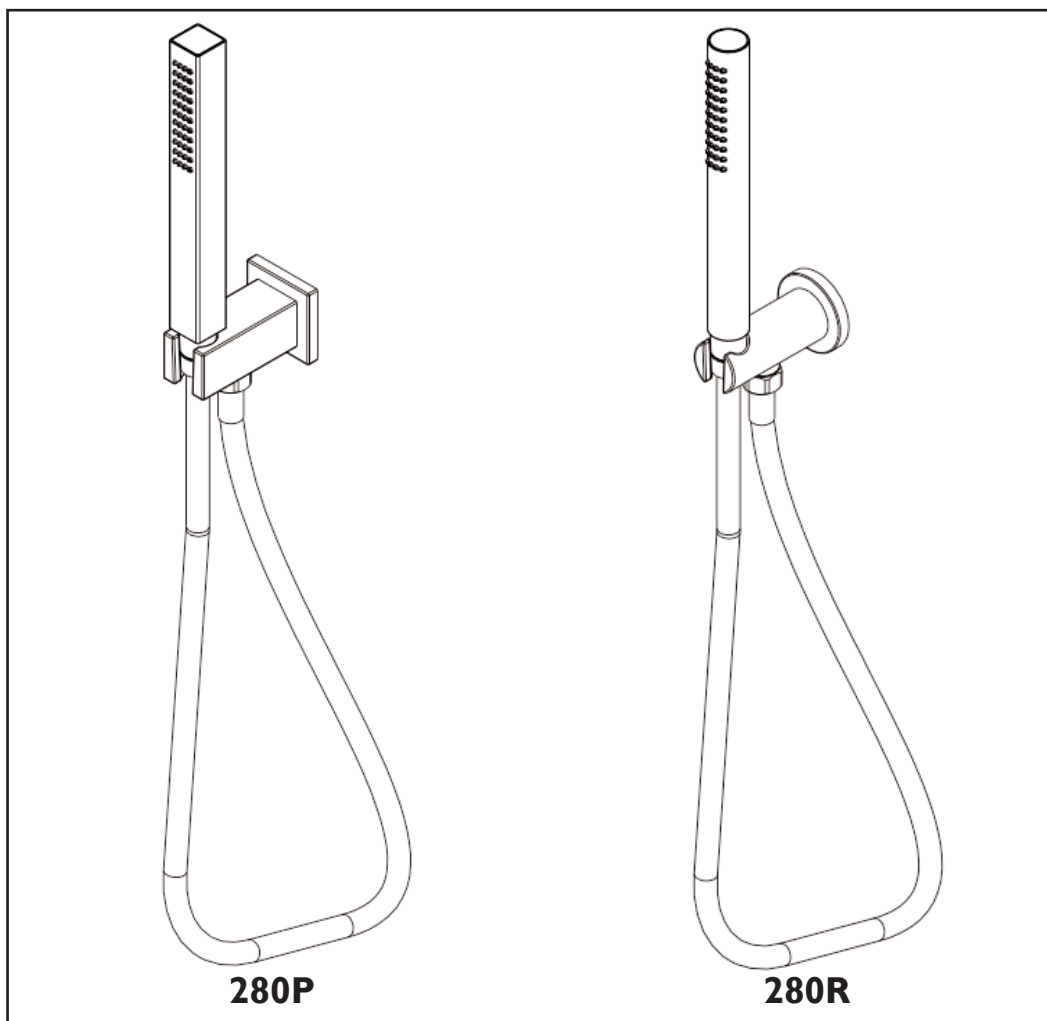


HAND SHOWER SET - WALL MOUNT INSTALLATION INSTRUCTIONS

Model No: 280P, 280R



NEWPORT BRASS
Flawless Beauty. From Faucet to Finish.™

2001 CARNEGIE AVE, SANTA ANA CA 92705

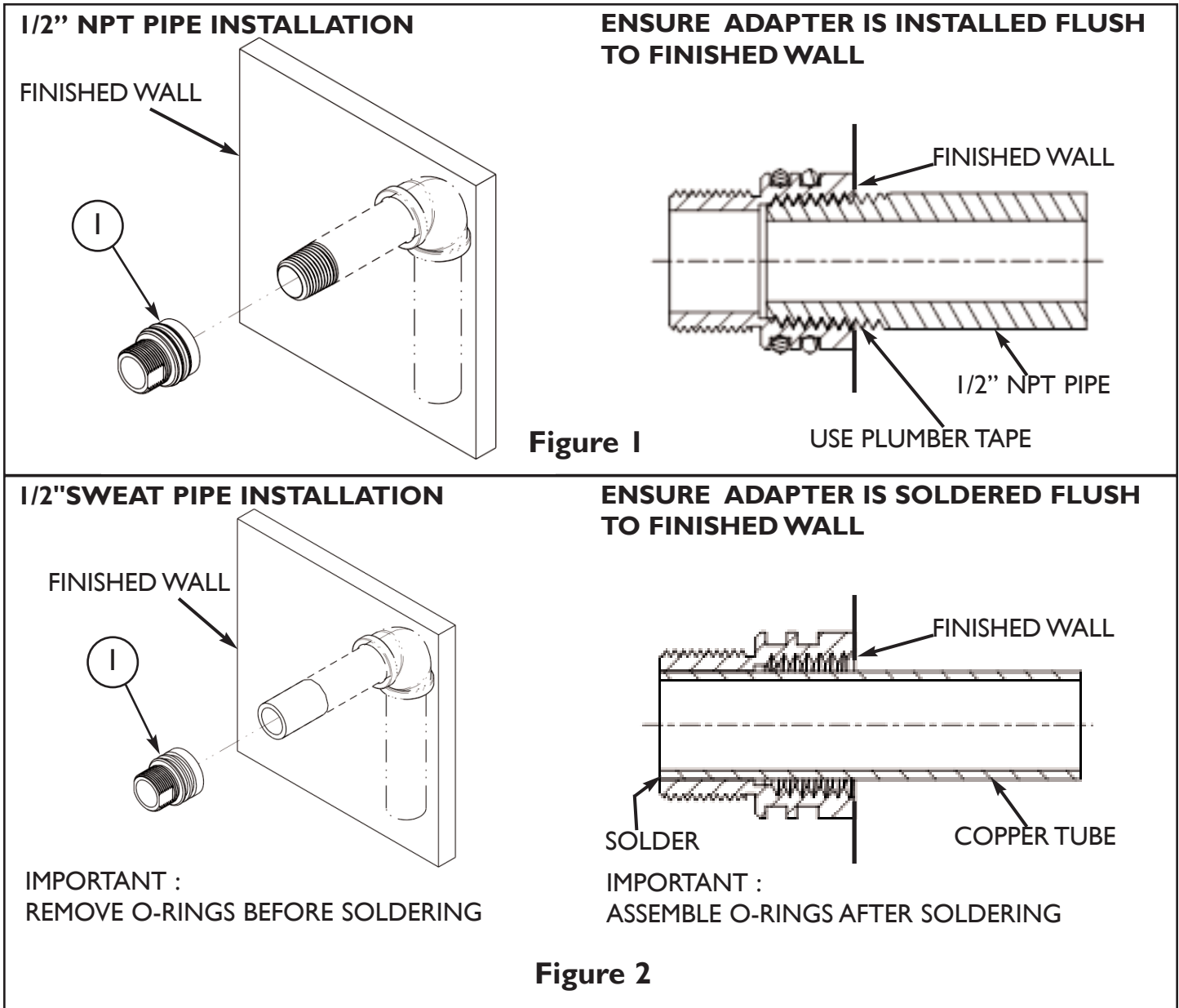
(949) 417-5207

WWW.NEWPORTBRASS.COM

We recommend Installation of this product by a Professional Plumbing Contractor

Note: The use of petroleum based plumber's putty on our products will nullify the warranty.
We recommend the use of clear silicone sealing materials.
All trim must be installed on finished wall surface.

Hand Spray Adapter Installation:



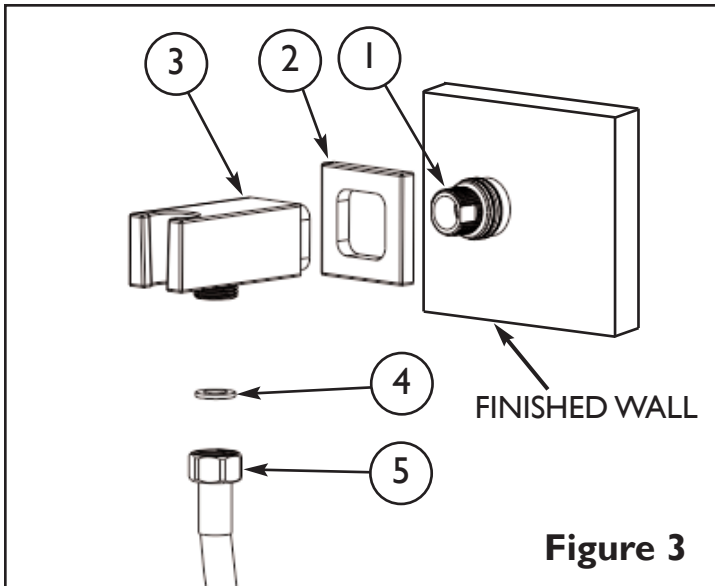


Figure 3

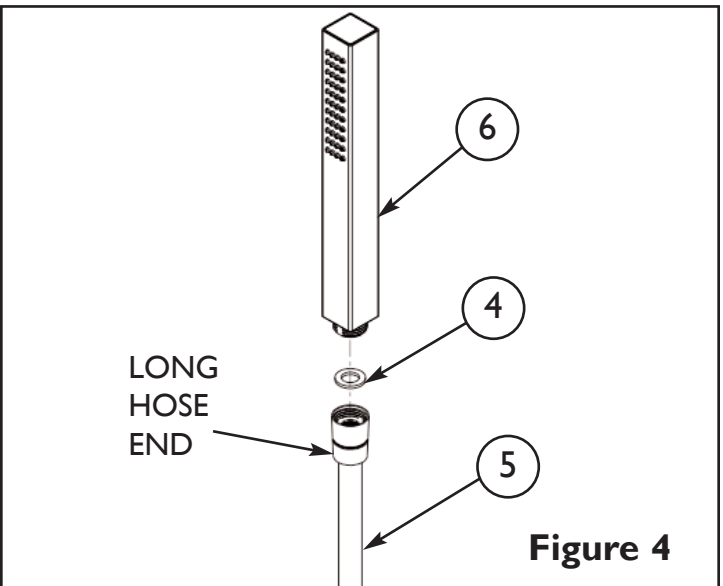


Figure 4

Hand Shower and Hose Installation:

- Place ESCUTCHEON (2) onto the HOLDER (3) and thread onto the ADAPTER (1).
- Place rubber WASHER (4) into both ends of HOSE (5).
- Attach longer conical end of HOSE (5) onto HAND SHOWER (6). Note: This end of HOSE (5) has swivel joint to prevent coiling of HOSE (5). See **Figure 3**.
- Attach the other end of HOSE (5) onto supply HOLDER (3). See **Figure 4**.
- Place hand SHOWER (6) into HOLDER (5).