

INSTALLATION INSTRUCTIONS

TANK LEVER

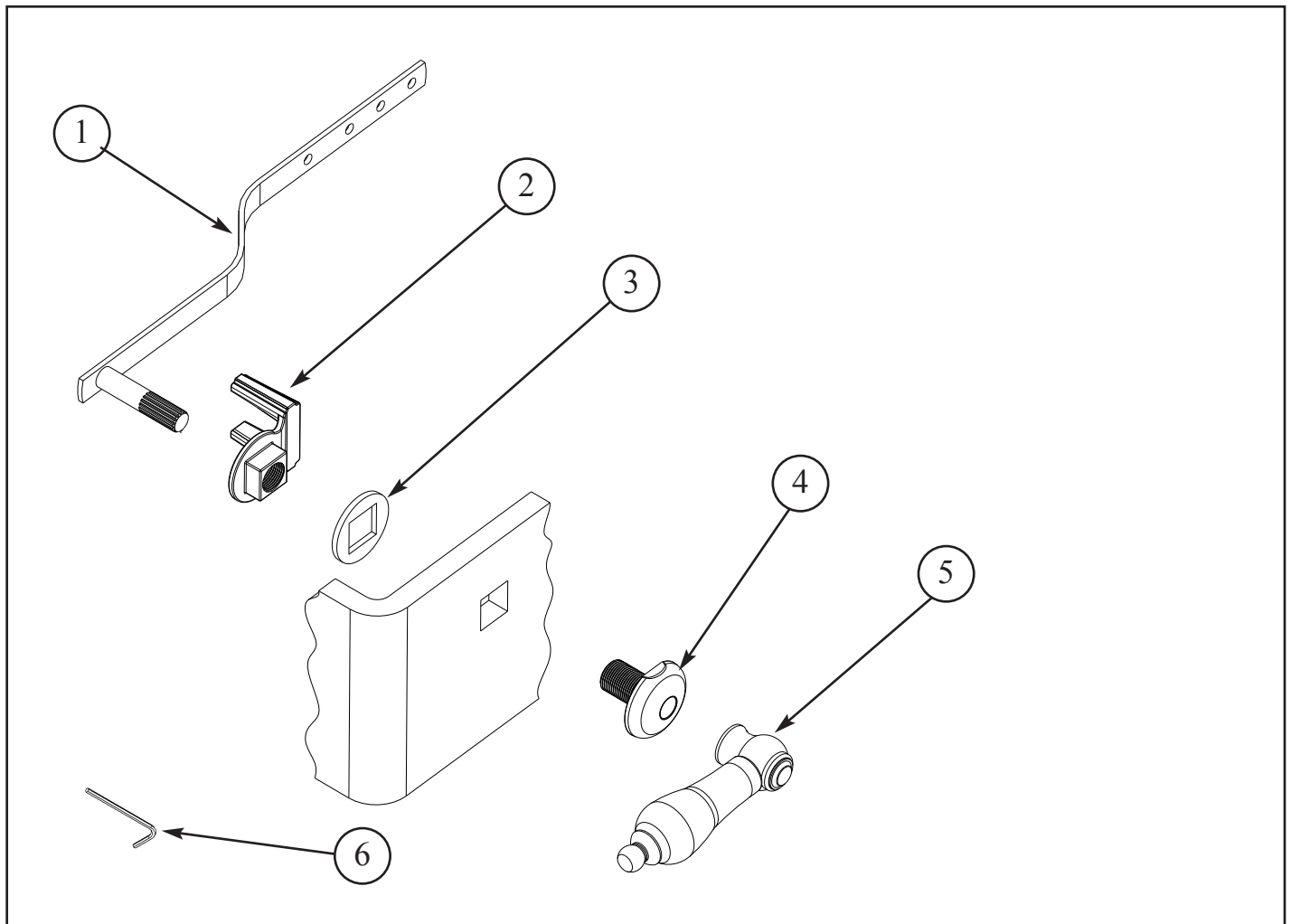
MODEL No's: 504, 505, 506

NEWPORT BRASS®

Flawless Beauty. From Faucet to Finish.™

Installation Instructions:

- Remove old tank lever.
 - Place GASKET (3) on to HOUSING (2).
 - Place HOUSING (2), as shown, into tank through hole.
 - Insert FLANGE (4) through tank hole and tighten.
- NOTE: Threads on FLANGE (4) are left-handed, turn counter-clockwise to tighten.
- Position LEVER (1) though HOUSING (2) and FLANGE (4).
 - Place HANDLE (5) onto the spline of LEVER (1).
 - Tighten HANDLE (5) set screws with ALLEN WRENCH (6) provided.
 - Place flapper chain though appropriate hole on LEVER (1).
- NOTE: Chain should be nearly vertical.
- Adjust chain length as needed to allow lever operation with tank cover on.



(949) 417-5207

Santa Ana, Ca. 92705
www.brasstech.com

NWP-505

10/10/2011