
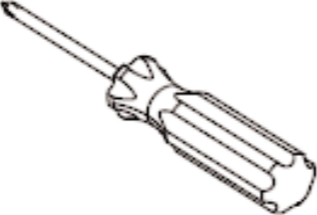

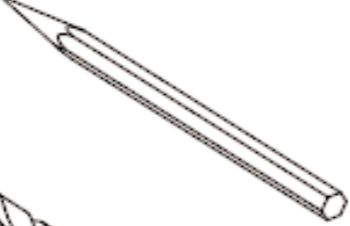

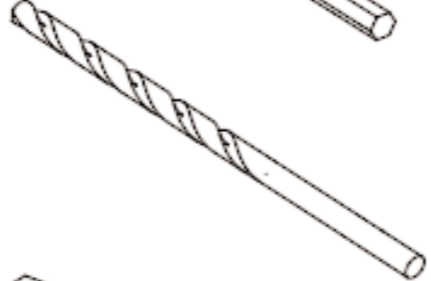
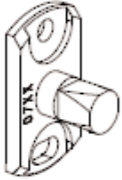
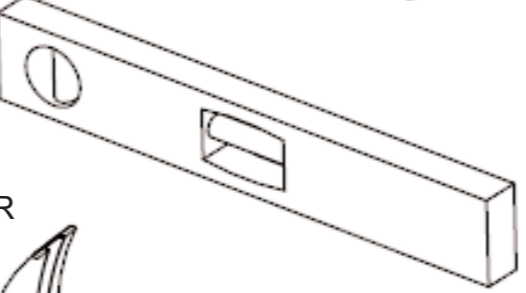

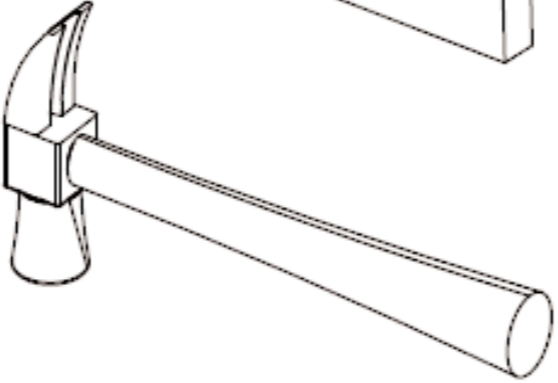
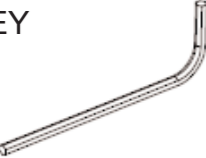



ITEMS INCLUDED		TOOLS REQUIRED	
DRY WALL ANCHOR	 X 2	PHILLIPS SCREW DRIVER	
TILE ANCHOR	 X 2	PEN / PENCIL	
#8 SCREW	 X 2	1/4" (6 mm) DRILL	
MOUNTING BRACKET	 X 1	LEVEL SET	
M5X5 SET SCREW	 X 1	HAMMER	
2.5 MM HEX KEY	 X 1		
DOUBLE ROBE HOOK	 X 1		

# KIARA

## INSTALLATION INSTRUCTIONS

39-13

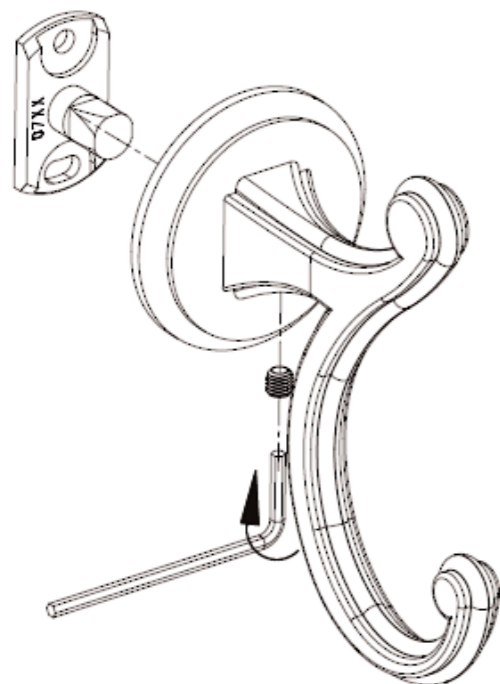
### DOUBLE ROBE HOOK

**NEWPORT BRASS**  
 Flawless Beauty. From Faucet to Finish.™

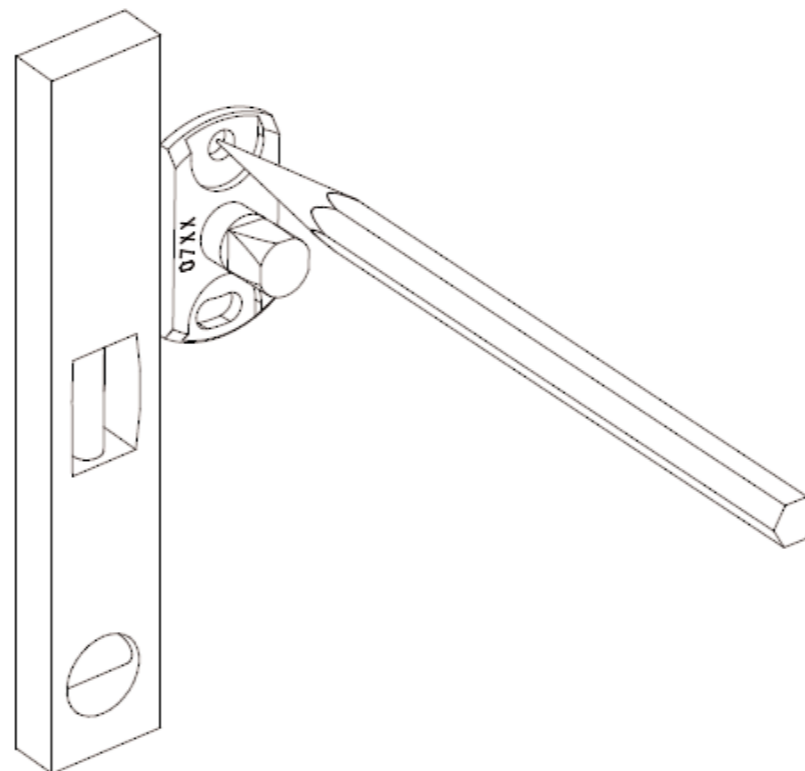
2001 CARNEGIE AVE, SANTA ANA CA 92705

(949) 417-5207  
 WWW.NEWPORTBRASS.COM

① REMOVE MOUNTING BRACKETS

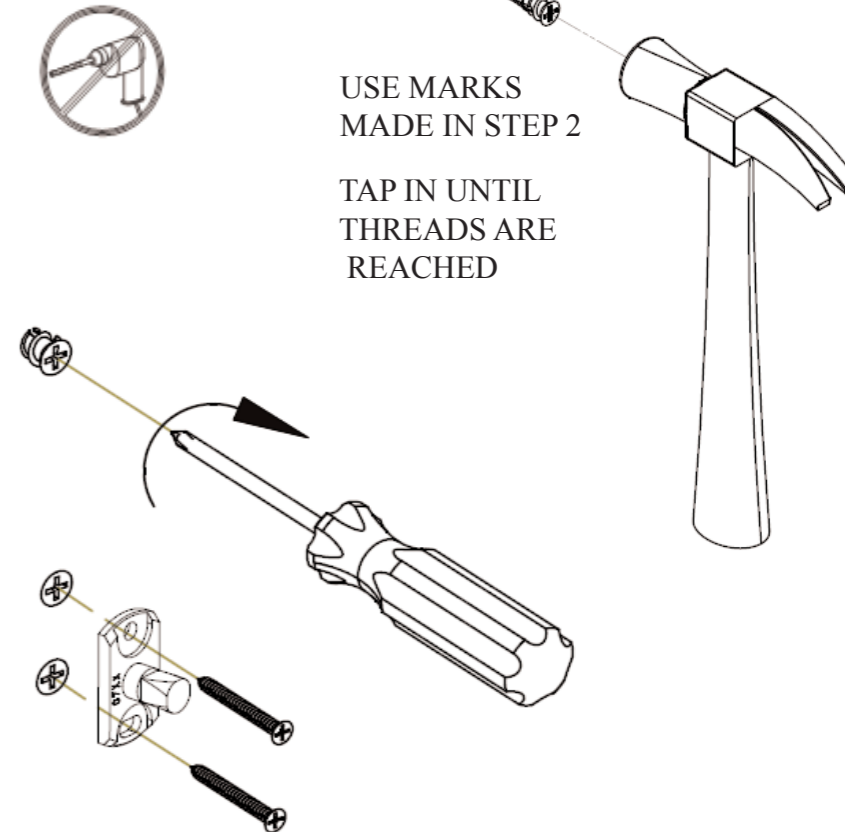


② ALIGN MOUNTING BRACKET AND MARK LOCATION



③ DRY WALL INSTALLATION

DO NOT DRILL

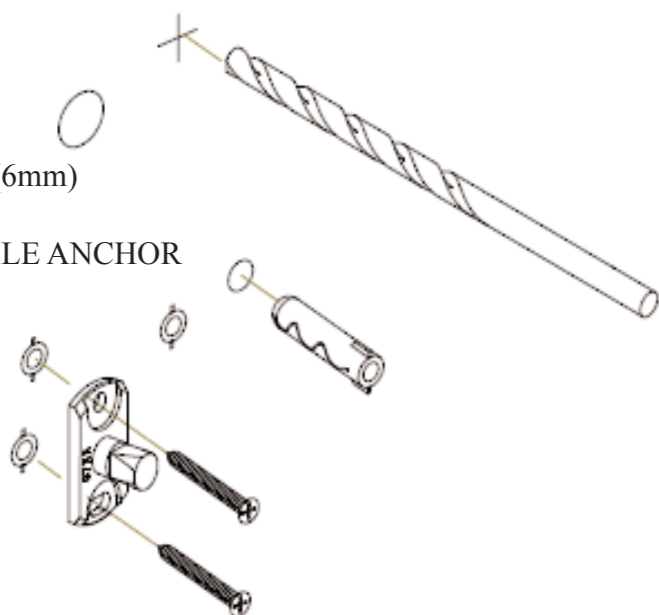


④ TILE OR SOLID WALL INSTALLATION

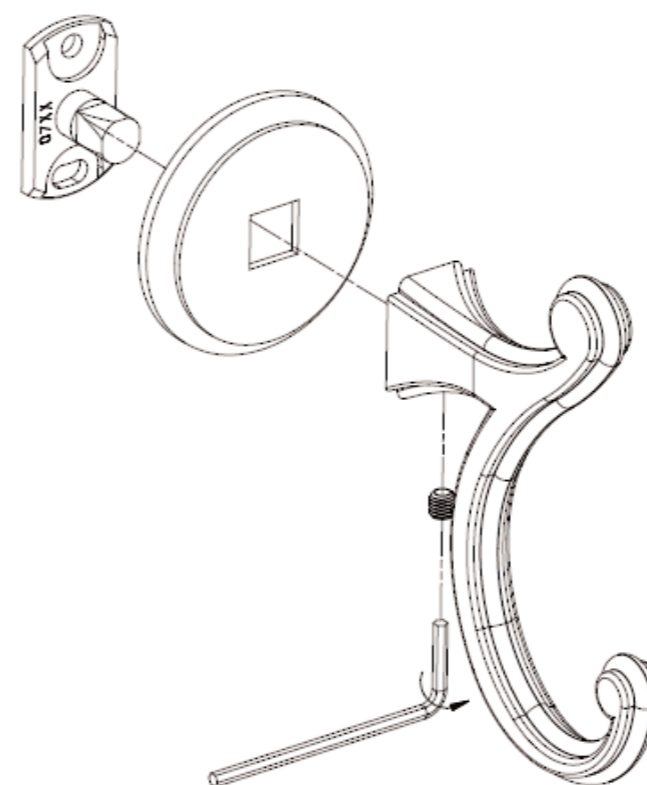
USE MARKS MADE IN STEP 2

DRILL 1/4" (6mm)

INSERT TILE ANCHOR



⑤ INSTALL PRODUCT ONTO BRACKETS



SECURE WITH SET SCREW