

NEWPORT BRASS®

Flawless Beauty. From Faucet to Finish.™

Standard Install	PG 2-3
Installation for 16 PT option	PG 4-5
Installation for 20 PT option	PG 6

Installation Instructions

1/2" & 3/4" Stop Valve / Volume Control

Model: I-606H, I-607H, I-606HT, and I-607HT

NEWPORT BRASS

Flawless Beauty. From Faucet to Finish.™

We Recommend Installation by a Professional Plumbing Contractor

Note: Use plumbers tape or equivalent to seal all threaded port joints.

Warning: To prevent severe damage to valve, any solder/braze process must be performed a minimum of 4" from ports, otherwise cartridge **must** be removed from valve body.

1. Position valve BODY 3" – 3 1/2" from inlet/outlet centerline of valve BODY to Finished Wall surface as shown in **Fig. 1** and **Fig. 2** below. **Important:** Water flow direction is indicated by "ARROW" on side of BODY.

2. Support BODY to stud framing using a cross brace and strap tape or equivalent. Check the horizontal and vertical level of valve BODY by placing bubble level on across each STEM. Also, ensure each STEM is perpendicular to the Finished Wall. Make any necessary adjustments.

4. Utilizing 1/2" copper supply pipe and 1/2" Socket End x 1/2" NPT Male Pipe Adapters to sweat water supply line to inlet of valve BODY, and sweat the outlet of valve BODY to outlet line fitting. If sweating within 4" from valve inlet/outlet, remove cartridges during this process.

Note : If cartridge is removed during installation, re-torque to factory specification of 14-16 ft-lbs.

5. **FOR VALVE MODEL I-606HT and I-607HT ONLY.** Use lever handle from Control Handle Trim to adjust stiffness of stem rotation by tightening or loosening TORQUE NUT (shown in **Fig. 2**). Check stiffness by placing lever handle in horizontal position onto cartridge STEM. Handle should not rotate under its own weight. (Note: Water supply to valve should still be off; water pressure may affect the stiffness of stem.)

6. With STEM in closed position, turn on water supply, pressurize system and check for leaks. Next, position a bucket in front of outlet line fitting, use pliers to slowly open the valve. This is to flush out any debris and check for any blockage within the valve. Allow the water to flow for at least one minute. Close the valve and carefully inspect for leaks, with the water pressure on. Temporary place a 1/2" or 3/4" NPT Plug (not included) into outlet line fitting and open the valve to check for any leak between BODY and outlet line fitting. Repair as needed. When complete checking, remove the temporary 1/2" or 3/4" NPT Plug.

7. Installation for Stop Valve / Volume Control is now completed. Proceed to complete Finished Wall surface (**Important:** the opening of the Finished Wall around the cartridge has to be a round diameter between 1 1/8" – 1 1/4" and concentric with each cartridge STEM to ensure enough clearance in case cartridge has to be removed for future service.) To install Control Handle Trim, follow installation instruction provided with the trim product.

2001 CARNEGIE AVE, SANTA ANA CA 92705 (949) 417-5207

WWW.NEWPORTBRASS.COM

Fig. 1: For Valve Model 1-606H and 1-607H

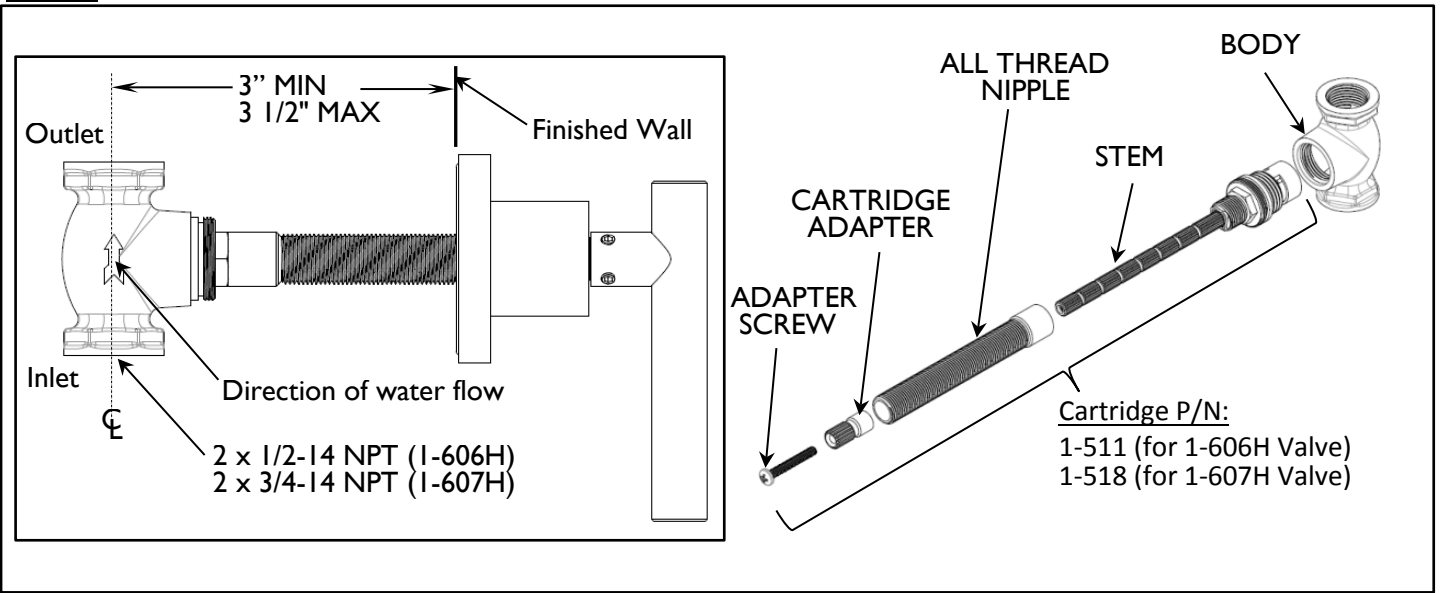
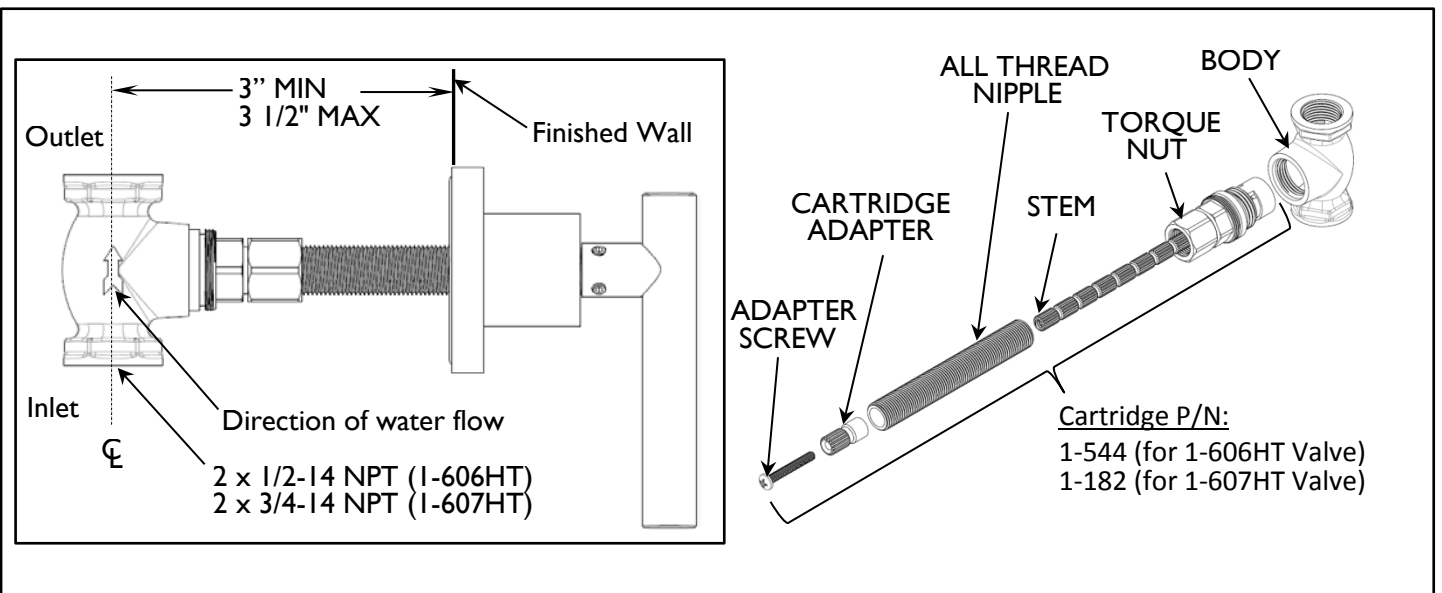


Fig. 2: For Valve Model 1-606HT and 1-607HT



Installation Instructions

How to Install Newport Brass In-wall Stop Valve / Volume Control / Diverter Handle Trim and Adjust 16 Tooth Handle Alignment

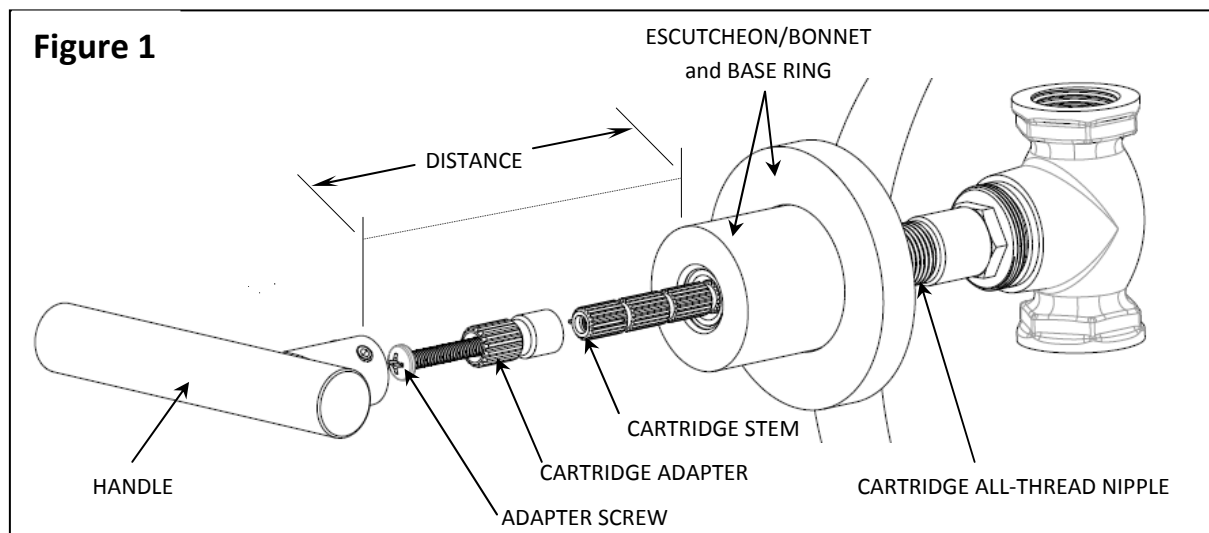
NEWPORT BRASS

Flawless Beauty. From Faucet to Finish.™

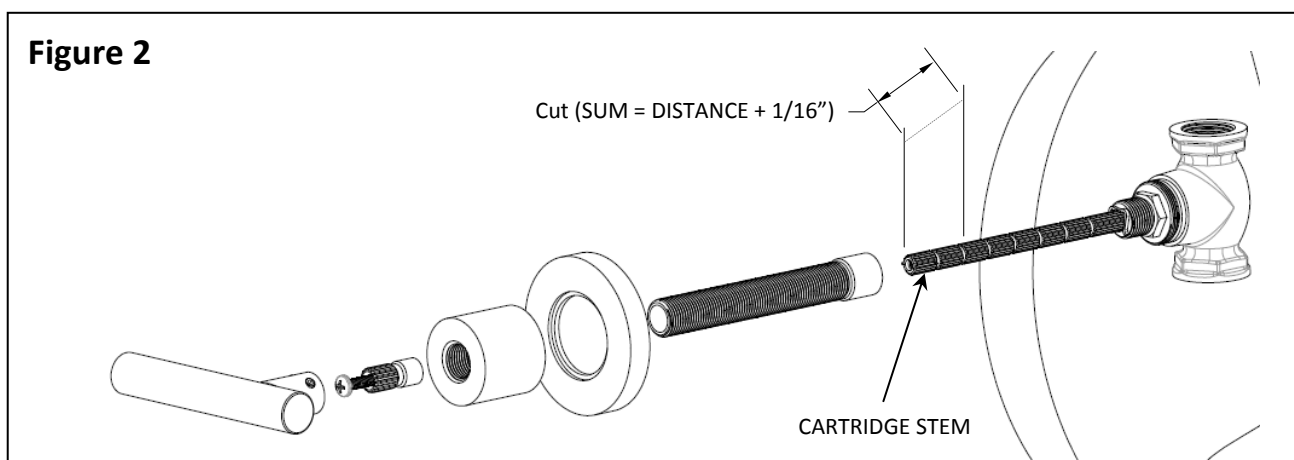
This instruction illustrates how to install Newport Brass In-wall Stop Valve / Volume Control / Trim Handles and utilize the Cartridge Adapter provided with the in-wall valves to adjust angular alignment for in-wall product handles. **Note:** If installed valve model is I-606HT or I-607HT, follow the installation instruction of the valves to adjust stiffness of stem rotation by tightening or loosening torque nut first. Handle should not rotate under its own weight. See installation instruction NWP-606H for more details.

I. Trim Cartridge Stem

1. **Figure 1**, install ESCUTCHEON/BONNET and BASE RING trim pieces onto CARTRIDGE ALL-THREAD NIPPLE flush against Finished Wall. Mark the CARTRIDGE ALL-THREAD NIPPLE where excess needs to be trimmed.
2. Also in **Figure 1**, temporarily install HANDLE onto CARTRIDGE ADAPTER and measure DISTANCE between top of ESCUTCHEON/BONNET and bottom of HANDLE. Record the DISTANCE measured.



3. **Figure 2**, disassemble HANDLE, ESCUTCHEON/BONNET, BASE RING, ADAPTER SCREW, and CARTRIDGE ADAPTER to cut the SUM ($SUM = DISTANCE + 1/16''$) from the 20 tooth CARTRIDGE STEM length. **Note:** For some HANDLE styles, where portion of HANDLE base inserted inside ESCUTCHEON/BONNET, additional CARTRIDGE STEM trim is needed to achieve desired aesthetic look.

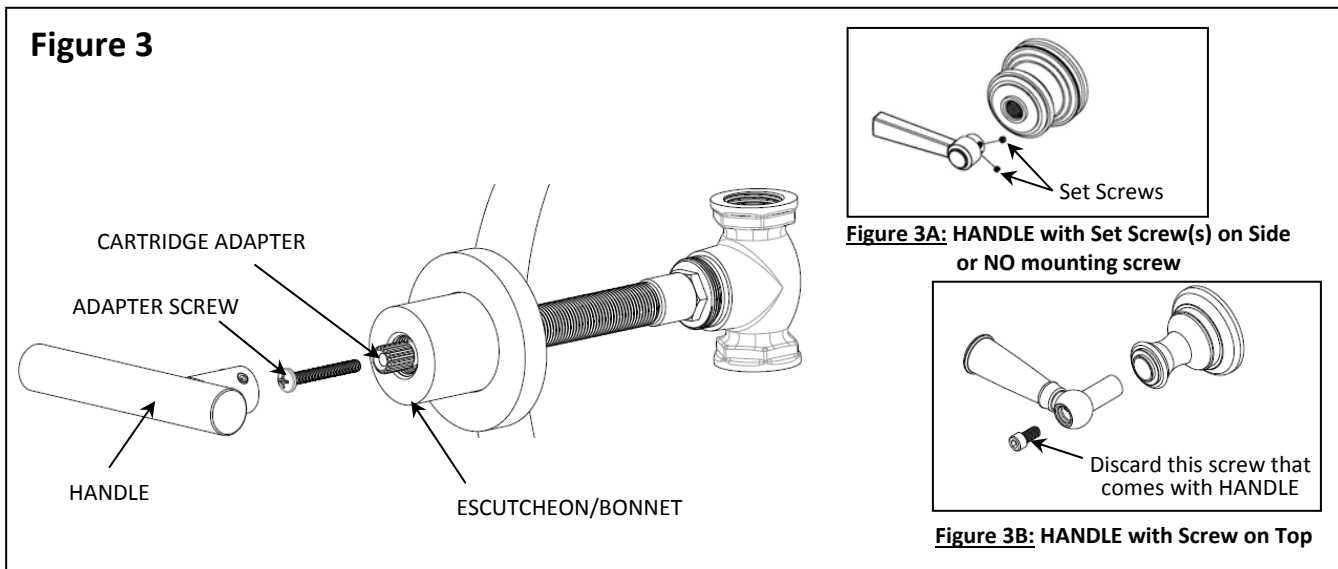


2. Adjust Handle Alignment

1. In **Figure 3**, ensure cartridges are in a full closed position and use previously removed ADAPTER SCREW to loosely install CARTRIDGE ADAPTER onto 20 tooth CARTRIDGE STEM. Temporary install the HANDLE and check alignment.
2. If the HANDLE lever is not correctly aligned, remove HANDLE, loosen (but do not completely remove) the ADAPTER SCREW and rotate CARTRIDGE ADAPTER one tooth clockwise (18 degrees), reassemble the HANDLE and recheck alignment. Repeat until HANDLE is aligned.

3A. For HANDLE with set screw(s) on side or NO mounting screw (see **Figure 3A**), remove HANDLE from CARTRIDGE ADAPTER (**Important:** do not remove the CARTRIDGE ADAPTER from CARTRIDGE STEM). Tighten the ADAPTER SCREW to firmly secure CARTRIDGE ADAPTER to cartridge. Reattach HANDLE to CARTRIDGE ADAPTER and secure in place with set screw(s). Note: When reattaching the HANDLE, assure a small gap between HANDLE and ESCUTCHEON/BONNET to prevent metal to metal contact.

3B. For HANDLE with screw on top (see **Figure 3B**), discard the screw provided with the HANDLE. Remove HANDLE and ADAPTER SCREW (**Important:** do not remove CARTRIDGE ADAPTER from CARTRIDGE STEM). Feed the ADAPTER SCREW through the center hole of HANDLE and use the ADAPTER SCREW to firmly secure HANDLE and CARTRIDGE ADAPTER to 20 tooth CARTRIDGE STEM.



Installation Instructions

How to Install Newport Brass In-wall Stop Valve / Volume Control / Diverter Handle Trim (20 Tooth Handle)

NEWPORT BRASS®

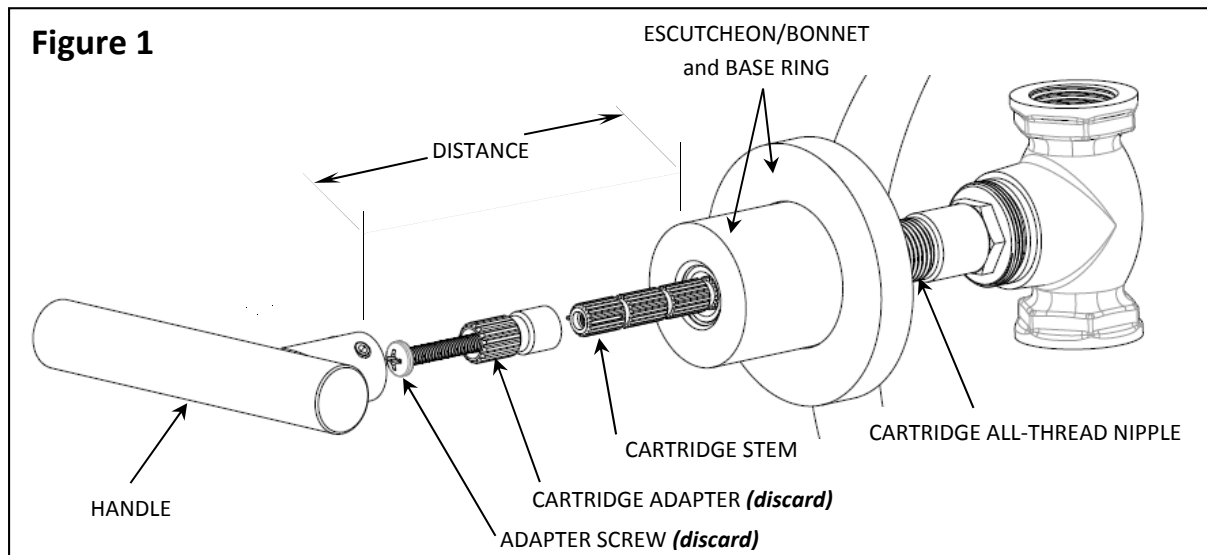
Flawless Beauty. From Faucet to Finish.™

This instruction illustrates how to install Newport Brass In-wall Stop Valve / Volume Control / Diverter Handles

Note: If installed valve model is I-606HT or I-607HT, follow the installation instruction of the valves to adjust stiffness of stem rotation by tightening or loosening torque nut first if you haven't done so. Handle should not rotate under its own weight. See installation instruction NWP-606H for more details.

1. **Figure 1**, discard CARTRIDGE ADAPTER and ADAPTER SCREW from the installed in-wall valve. These are not needed. Install ESCUTCHEON/BONNET and BASE RING trim pieces onto CARTRIDGE ALL-THREAD NIPPLE flush against Finished Wall. Mark the CARTRIDGE ALL-THREAD NIPPLE where excess needs to be trimmed.

2. Also in **Figure 1**, temporarily install HANDLE onto CARTRIDGE STEM and measure DISTANCE between top of ESCUTCHEON/BONNET and bottom of HANDLE. Record the DISTANCE measured.



3. **Figure 2**, disassemble HANDLE, ESCUTCHEON/BONNET, and BASE RING to trim SUM (SUM= DISTANCE + 1/16") from the 20 tooth CARTRIDGE STEM length. **Note:** For some HANDLE styles, where portion of HANDLE base inserted inside ESCUTCHEON/BONNET, additional CARTRIDGE STEM trim is needed to achieve desired aesthetic look.

4. Re-install HANDLE, ESCUTCHEON/BONNET, and BASE RING using any provided screw that comes with the HANDLE.

