

# Installation Instructions

## How to Install Newport Brass In-wall Trim (20 Tooth Handle)

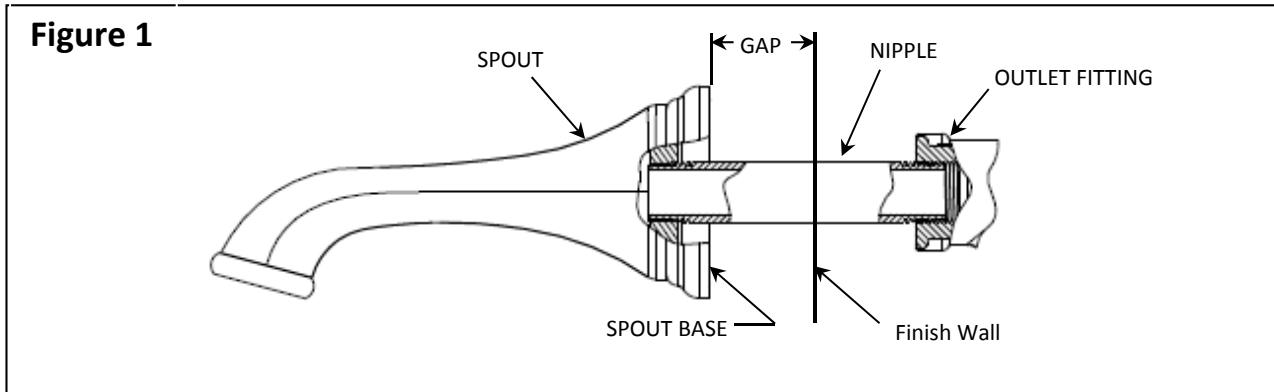
# NEWPORT BRASS

Flawless Beauty. From Faucet to Finish.™

This instruction illustrates how to install Newport Brass In-wall Trim.

### **I. Spout Installation**

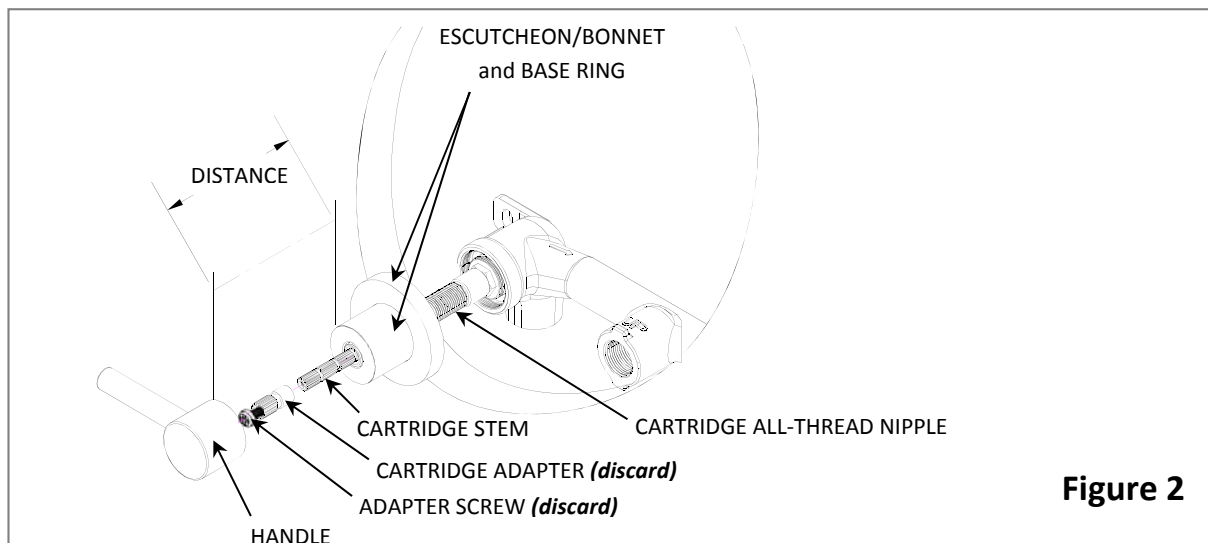
1. **Figure 1**, to determine proper length of a NIPPLE to connect SPOUT to OUTLET FITTING, use a temporary 6" length x 1/2" NPT NIPPLE to connect them together. Measure the GAP between the Finish Wall and the SPOUT BASE (including Base Ring as applicable). If length of the temporary NIPPLE is 6", and the GAP is 1", the proper length for the NIPPLE is 5" (6 - 1=5") to connect the SPOUT to OUTLET FITTING. Use plumbers tape or equivalent to seal all threaded joints.



### **2. Handle Installation:**

**Note:** If installed valve model is I-532T or I-500T, follow the installation instruction of the valves to adjust stiffness of stem rotation by tightening or loosening torque nut first if you haven't done so. See installation instruction NWP-532 for more details.

1. **Figure 2**, discard CARTRIDGE ADAPTER and ADAPTER SCREW from the installed in-wall valve. These are not needed. Install ESCUTCHEON/BONNET and BASE RING trim pieces onto CARTRIDGE ALL-THREAD NIPPLE flush against Finished Wall. Mark the CARTRIDGE ALL-THREAD NIPPLE where excess needs to be trimmed.
2. Also in **Figure 2**, temporarily install HANDLE onto CARTRIDGE STEM and measure DISTANCE between top of ESCUTCHEON/BONNET and bottom of HANDLE. Record the DISTANCE measured.



3. **Figure 3**, disassemble HANDLE, ESCUTCHEON/BONNET, and BASE RING to cut the SUM (SUM= DISTANCE + 1/16") from the 20 tooth CARTRIDGE STEM length. **Note:** For some HANDLE styles, where portion of HANDLE base inserted inside ESCUTCHEON/BONNET, additional CARTRIDGE STEM trim is needed to achieve desired aesthetic look.

4. Re-install HANDLE, ESCUTCHEON/BONNET, and BASE RING using any provided screw that comes with the HANDLE.

