

Installation Instructions
Wall Mount Tub Valve
Model: I-500 and I-500T



We Recommend Installation by a Professional Plumbing Contractor.

Note: Use plumbers tape or equivalent to seal all threaded port joints.

Warning: To prevent severe damage to the valve, any solder/braze process must be performed a minimum of 4" from ports, otherwise cartridge **must** be removed from the valve body.

1. Install 1/2" ELBOW into 1/2"NPT outlet port. The 1/2" ELBOW is to be positioned in the direction required for your specific application.
2. Construct a cross BRACE in a way that allows the BODY to be positioned 4" – 4 1/2", as measured from the back side of the valve BODY to the Finished Wall surface as shown in **Fig. 1** and **Fig. 2** below.
3. Secure valve BODY to cross BRACE using suitable SCREW (not included). Check the horizontal and vertical level of the valve BODY by placing a bubble level across each STEM. Also, ensure each STEM is perpendicular to the Finished Wall. Make any necessary adjustments.
4. Utilize 1/2" copper supply pipe and 1/2" Socket End x 1/2"NPT Male Pipe Adapters to sweat water supply line to the inlets of the valve BODY (blue STEM is cold, red STEM is hot). If sweating within 4" from valve inlets, remove cartridges during this process.

Note : If cartridges are removed during installation, re-torque to factory specification of 14-16 ft-lbs.

5. Fabricate BATH DROP as shown in **Figures 1 & 2** and solder/braze it to the 1/2" ELBOW. Note: BATH DROP connecting to the spout requires a 1/2" NPT female fitting at the Finished Wall.
6. **FOR VALVE MODEL I-500T ONLY.** Use lever handle from Wall Mount Tub Trim to adjust stiffness of stem rotation by tightening or loosening TORQUE NUT (shown in **Fig. 2**). Check stiffness by placing lever handle in horizontal position onto cartridge STEM. Handle should not rotate under its own weight. (Note: Water supply to valve should still be off; water pressure may affect the stiffness of stem.)
7. With STEMS in closed position, turn on water supply, pressurize system and check for leaks. Next, position a bucket in front of valve outlet, use pliers to slowly open the hot first and then cold valve. This is to flush out any debris and check any blockage within the valve. Allow the water to flow for at least one minute. With the water pressure on, close the valves and carefully inspect for leaks. Temporarily place a 1/2" NPT Plug (not included) into fitting of BATH DROP and open the valves to check for any leak between the 1/2" ELBOW connections and the BACK DROP. Repair as needed. Remove the temporary 1/2" NPT Plug after the check is complete.
8. Installation for Wall Mount Tub Valve is now completed. Proceed to complete Finished Wall surface (**Important:** to ensure enough clearance to remove the cartridge for future service, openings of the Finished Wall around the cartridges are to be round, with a diameter between 1 1/8"– 1 1/4" and concentric with the cartridge STEM). To install Wall Mount Tub Trim, follow installation instruction provided with the trim product.

2001 CARNEGIE AVE, SANTA ANA CA 92705 (949) 417-5207

WWW.NEWPORTBRASS.COM

NWP-1-500

04/7/2016

Fig. 1: For Valve Model 1-500

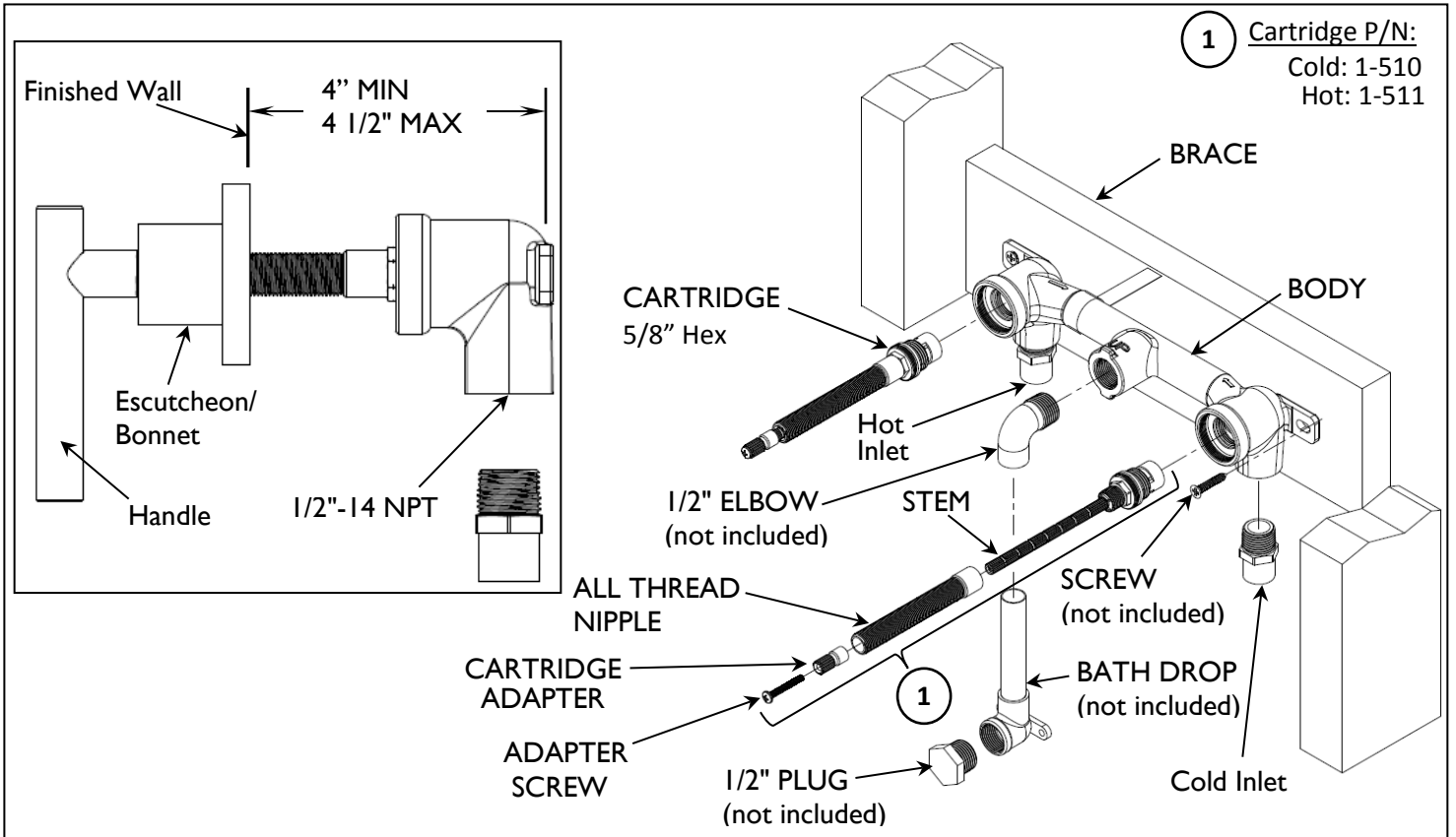


Fig. 2: For Valve Model 1-500T

