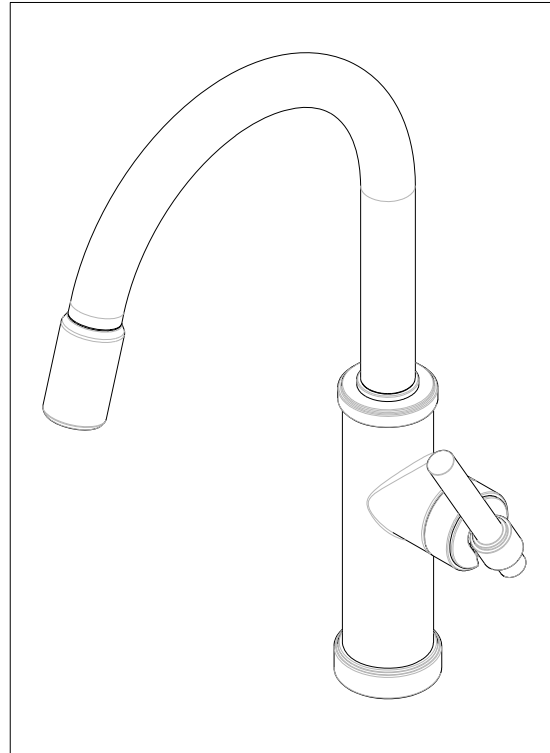


NOTES:

- 1. FIT / FORM / FUNCTION SHALL FOLLOW PS-E.008.
- 2. PUT THESE ITEMS IN SEPARATE PLASTIC BAGS.
- 3. TORQUE TO 7.5-8.5 LB-FT.
- 4. APPLY THIN COAT OF SILICON GREASE FOR ALL O-RINGS BEFORE INSTALLATION.
- 5. APPLY LOCTITE 242, IF SCREW DOES NOT HAVE NYLON PATCH.

6. APPLY SILICONE GREASE 10" FROM OUTLET OF PN 11877.



C.G. 09/06/18

BILL OF MATERIAL (CURRENT LEVEL)

ITEM	PT/ASSY	DESCRIPTION	TYPE	QTY.
1	20-227	BASE RING ASM	ASSEMBLY	1
2	20-228	MAIN BODY ASM, TAFT	ASSEMBLY	1
3	91030	O-RING, #2- 115, EPDM, 65-75 DURO, NSF 61	PART	4
4	91712	SLEEVE	PART	1
5	12491	SPOUT	PART	1
6	91544	MAGNET DOCKING	ASSEMBLY	1
7	3-592	SPRAY HEAD, CONTEMP	ASSEMBLY	1
8	11877	HOSE, PULLDOWN SWIVEL	ASSEMBLY	1
9	1-064	SINGLE LEVER CARTRIDGE	PART	1
10	1-266	CART. RETAINER ASM	ASSEMBLY	1
11	12843	HANDLE HUB	PART	1
12	11874	HANDLE ADAPTER SCREW	PART	1
13	20-320	HANDLE LEVER ASM	ASSEMBLY	1
14	91534	CARTRIDGE STEM INSERT	PART	1
15	91255	O-RING, #2- 011, EPDM, 65-75 DURO, NSF-61	PART	2
16	91568	RETAINER CLIP	PART	1
17	1-256	MOUNTING KIT	ASSEMBLY	1
18	91341	ZIP TIE	PART	1
19	98044	LABEL - HOT	PART	1
20	1-286	WEIGHT ASM	ASSEMBLY	1

TESTING	-	-	-
ASSEMBLY	-	-	-
PLATING	-	-	-
POLISHING	-	NEXT ASSY	USED ON
MACHINING	-	APPLICATION	
TOOLING FIXTURE #	REMOVE ALL BURRS AND SHARP EDGES		

BRASSTECH 2001 CARNEGIE AVE.
SANTA ANA, CA 92705
(949) 417-5207

INCORPORATED

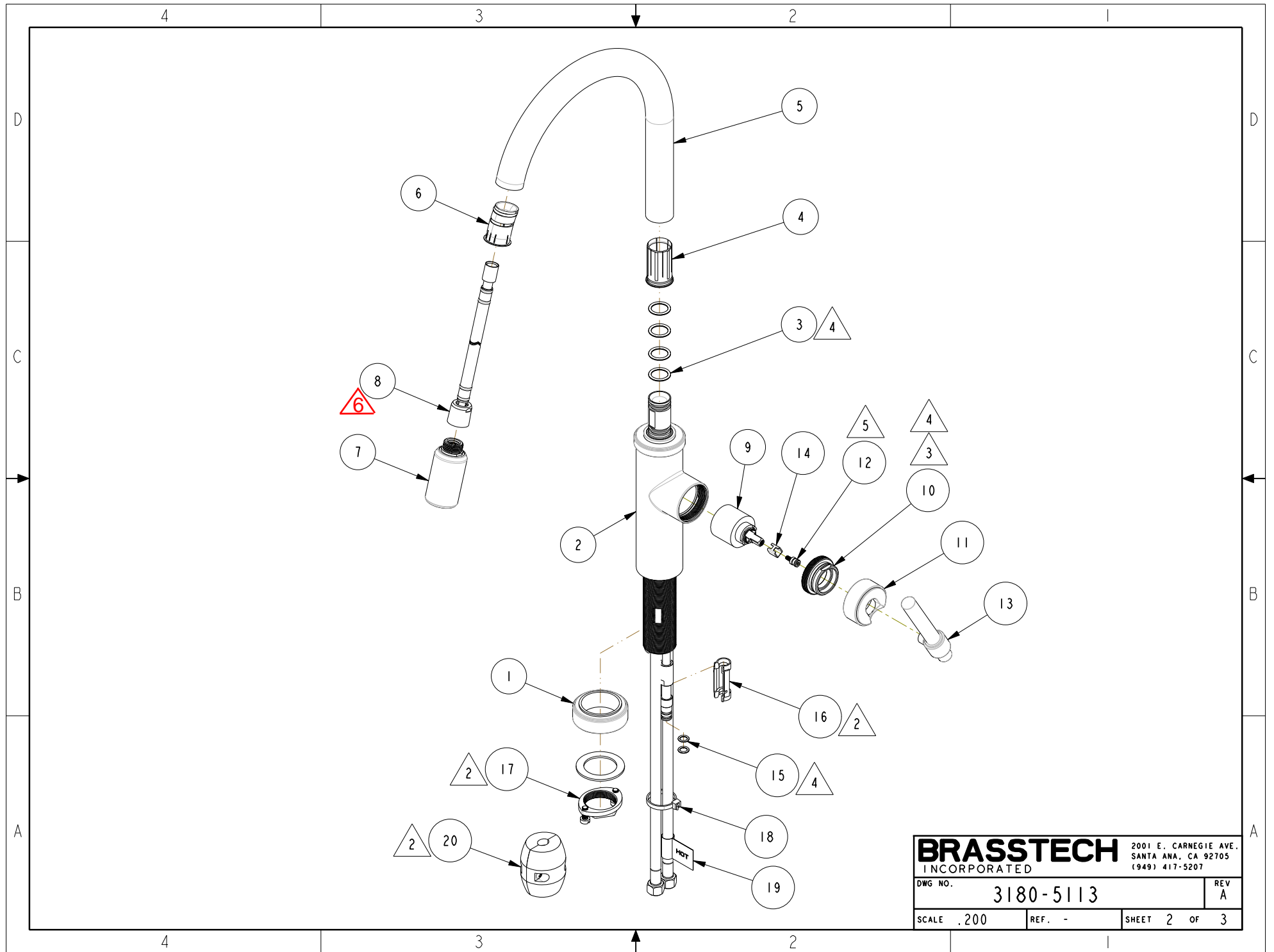
KITCHEN PULL DOWN

DWG NO. **3180-5113** REV **A**

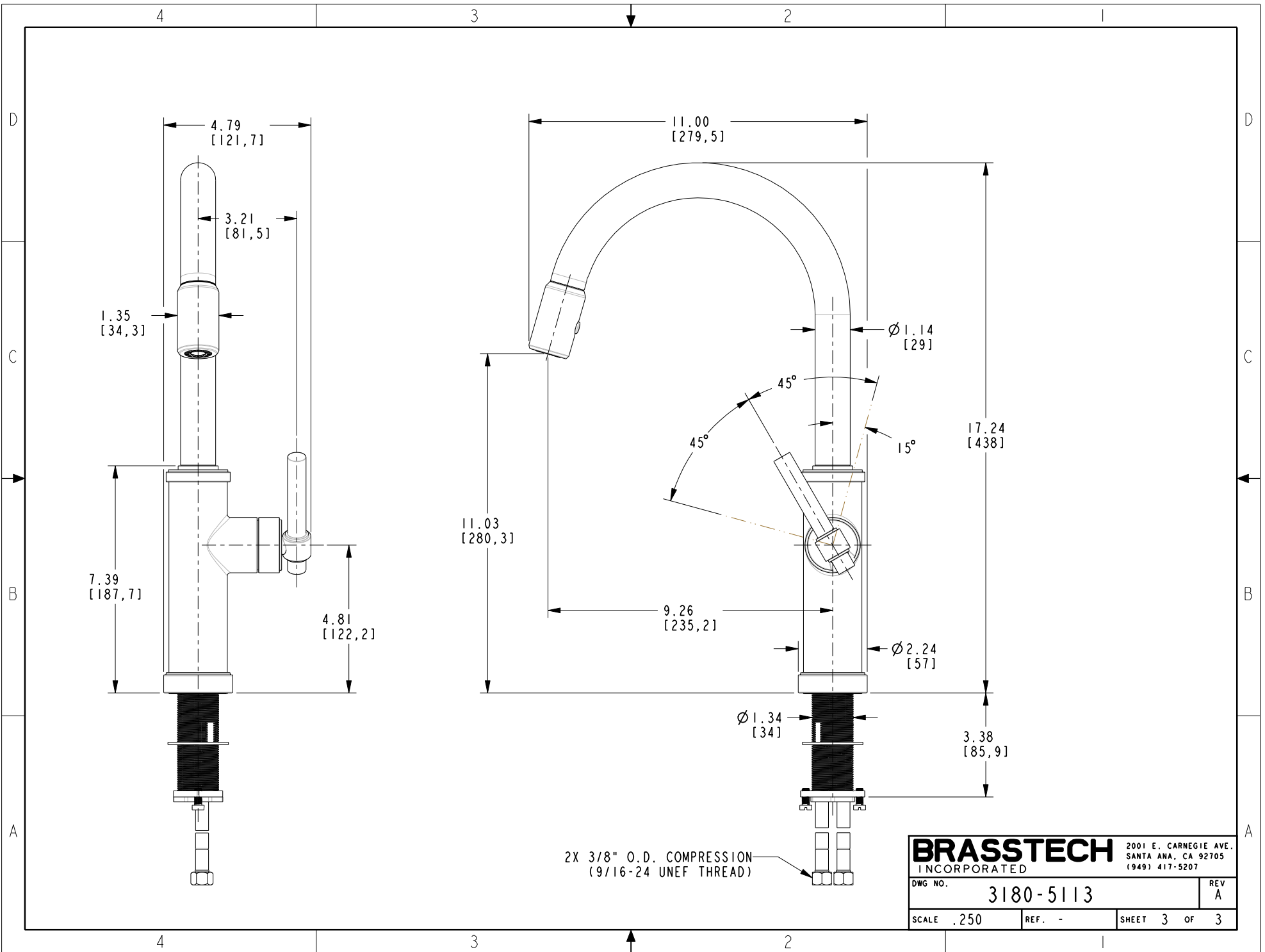
SCALE .250 REF. - SHEET 1 OF 3

ZONE	REV	DESCRIPTION	DATE	APPROVED
-	A	EN-3413b	11/14/17	JM
-	-	EN-3229	09/25/17	JM

COPYRIGHT 2005 BRASSTECH, INC. THESE DRAWINGS AND THE DESIGNS DEPICTED HEREIN ARE THE PROPRIETARY PROPERTY OF BRASSTECH. ANY USE OR REPRODUCTION IS SUBJECT TO THE EXPRESS APPROVAL OF BRASSTECH. UNAUTHORIZED USE IS STRICTLY PROHIBITED. ALL RIGHTS RESERVED.



BRASSTECH		2001 E. CARNEGIE AVE. SANTA ANA, CA 92705 (949) 417-5207	
DWG NO.	3180-5113	REV	A
SCALE	.200	REF.	-
		SHEET	2 OF 3



BRASSTECH		2001 E. CARNEGIE AVE. SANTA ANA, CA 92705 (949) 417-5207	
DWG NO.	3180-5113	REV	A
SCALE	.250	REF.	-
SHEET 3		OF 3	