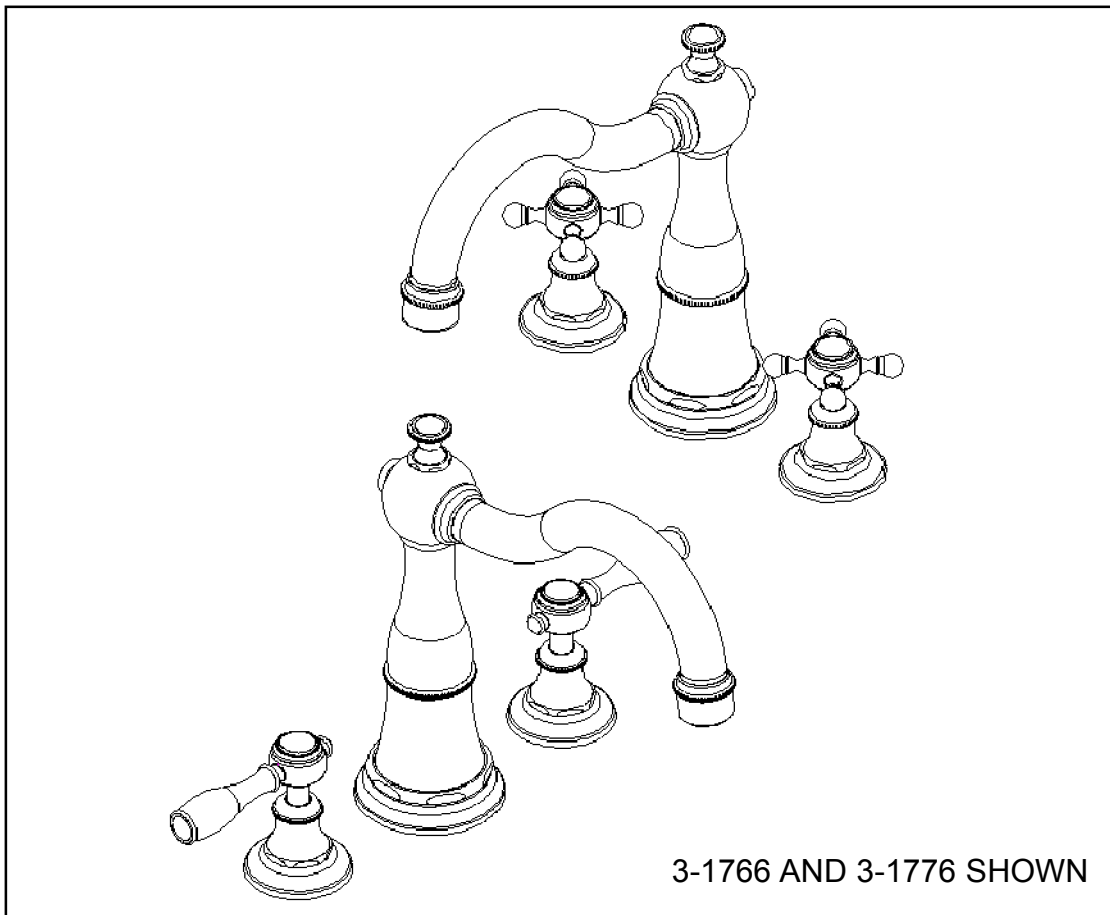


ROMAN TUB 2 VALVE AND TRIM INSTALLATION INSTRUCTIONS

Valve Model No`s	1-586	1-636
Trim Kit for Model No's	3-1766, 3-1776	3-2556



NEWPORT BRASS

Flawless Beauty. From Faucet to Finish.™

2001 CARNEGIE AVE, SANTA ANA CA 92705

(949) 417-5207

WWW.NEWPORTBRASS.COM

Rough in valve Installation

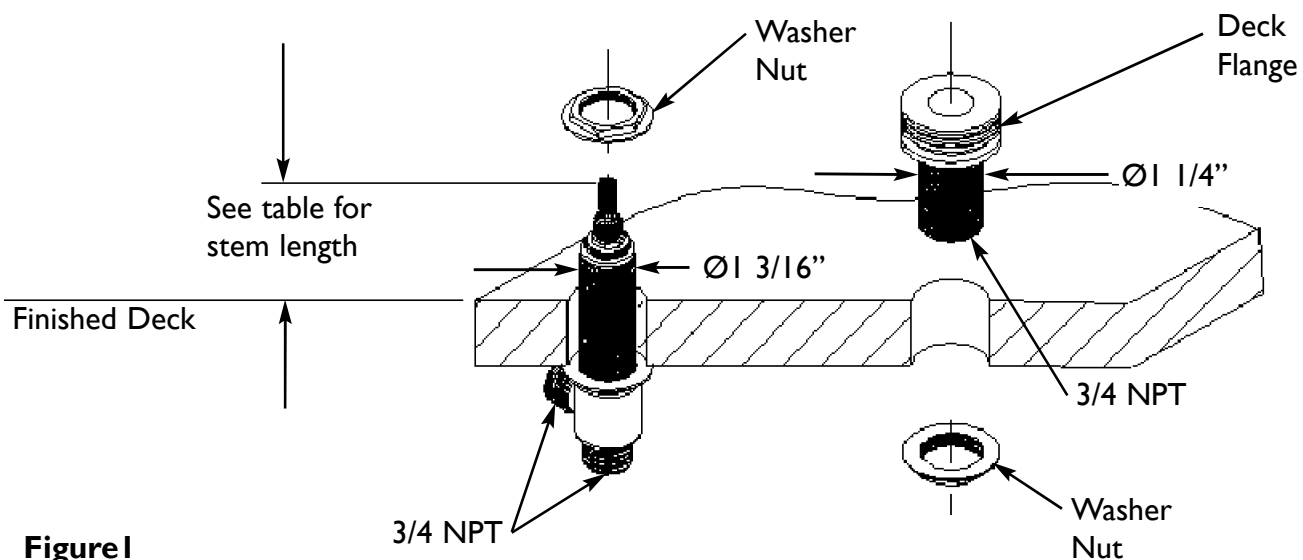
Recommended Installation by a Professional Plumbing Contractor

Note: Use Teflon tape or equivalent to seal all threaded joints.

Warning: To prevent severe damage to valve body, any solder/braze process must be performed a min. of 4" from ports.

1. Install the quick connect spout shank through center hole of mounting surface. Secure with washer nut. See Fig. 1

2. Place washer nut on valve body. Insert body, (blue cold & red hot), through hole from below mounting surface. See Fig. 1. Adjust and secure with additional washer nut so that the top of valve stem is at the correct height from mounting surface. See Table 1.



3. Attach hot/cold valves to spout, utilizing 3/4" copper pipe. See Fig. 2

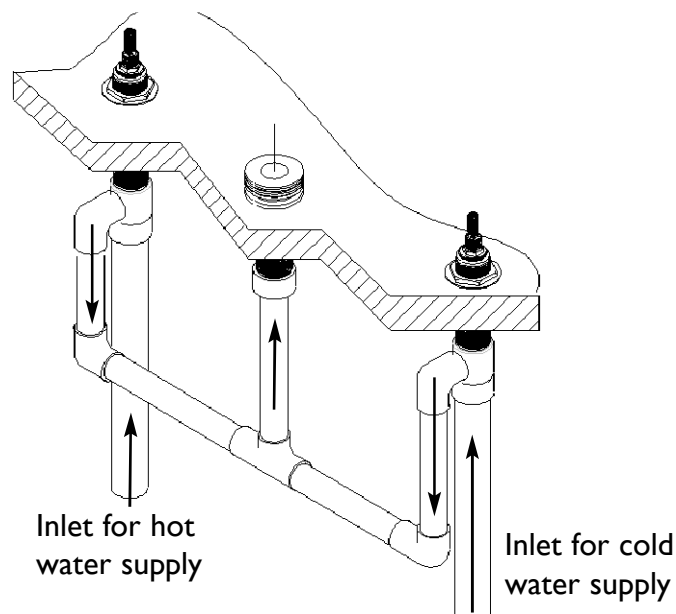


TABLE I

SERIES	3-1766	3-1776	3-2556
STEM LENGTH	2"	2"	1-3/4"

Trim Installation

Note: To achieve desired handle rotational alignment, the cartridge **MUST** be tightened in a clockwise rotation only.

(Cartridge Bonnet factory torque is 14-16 ft-lbs.)

4. Attach handle trim to valve. When possible, any adjustments for rotational alignment should be made to the valve body - not to the cartridge. (Note: Allow minimum spacing between handles and escutcheon/bonnet to prevent damage to the surface finish.) Secure handles into place with screw and press cap into top of handle. See Fig. 3

5. Slide Base Ring** onto Spout Assembly, exposing the setscrew. Align and press spout assembly onto quick connect deck flange. Make sure spout is flush with deck. Secure spout onto quick connect with setscrew. See Fig. 3

6. Turn on water supply, check for leaks and make any final adjustments required.

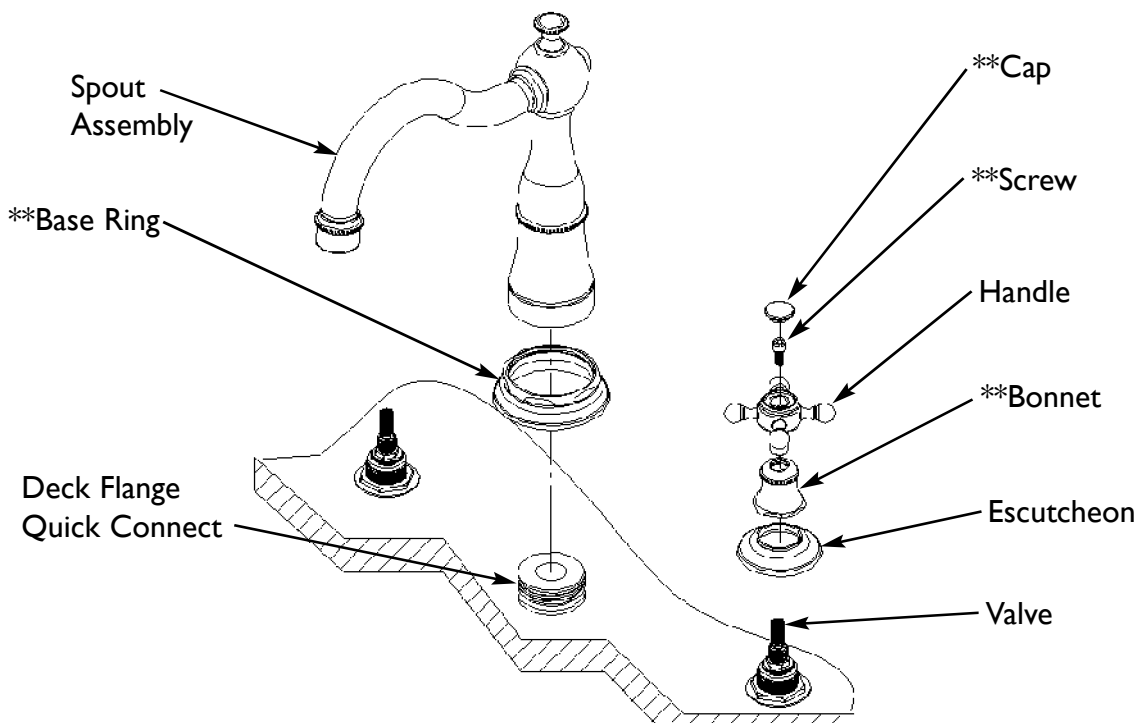


Figure 3

** Optional item based on model selected