

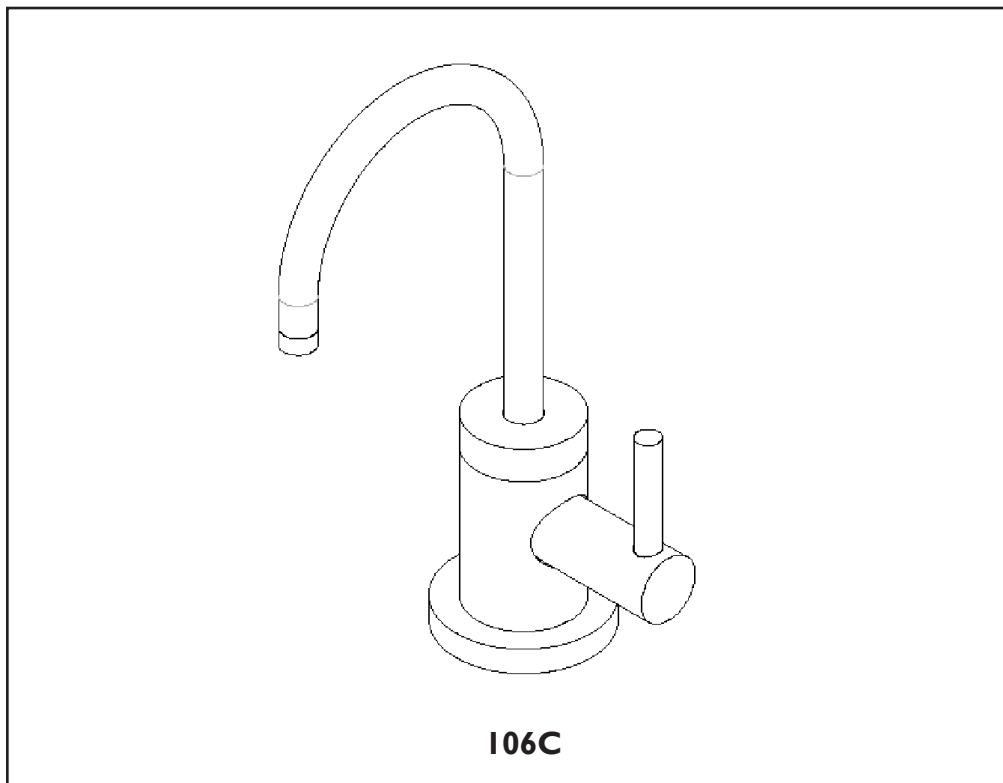
INSTALLATION INSTRUCTIONS COLD WATER DISPENSER

NEWPORT BRASS®

Flawless Beauty. From Faucet to Finish.™

Model No's:

106C, 107C, 108C, 1030-5623,
2470-5623, 1200-5623, 2940-5623, 2500-5623,
3170-5623, 3200-5623, 3210-5623,
3160-5623, 3180-5623, 3190-5623



**Congratulations on the purchase
of your Brasstech product,
an excellent choice, that will give you
years of quality service and enhance
the look and style of your home.**

Recommended Installation by a Professional Plumbing Contractor

Note: The use of petroleum base plumbers putty on our products will nullify the warranty. We recommend the use of clear silicone sealing materials. Recommended deck thru hole $\text{\O} 1.25''$ to $\text{\O} 1.38''$

INSTALLING FAUCET ON SINK (See Fig 1)

- Place the faucet inlet and mounting stud through escutcheon, o-ring, and mounting surface hole.
- Slide gasket and mounting crescent over mounting stud on underside of mounting surface and secure into place with mounting nut.

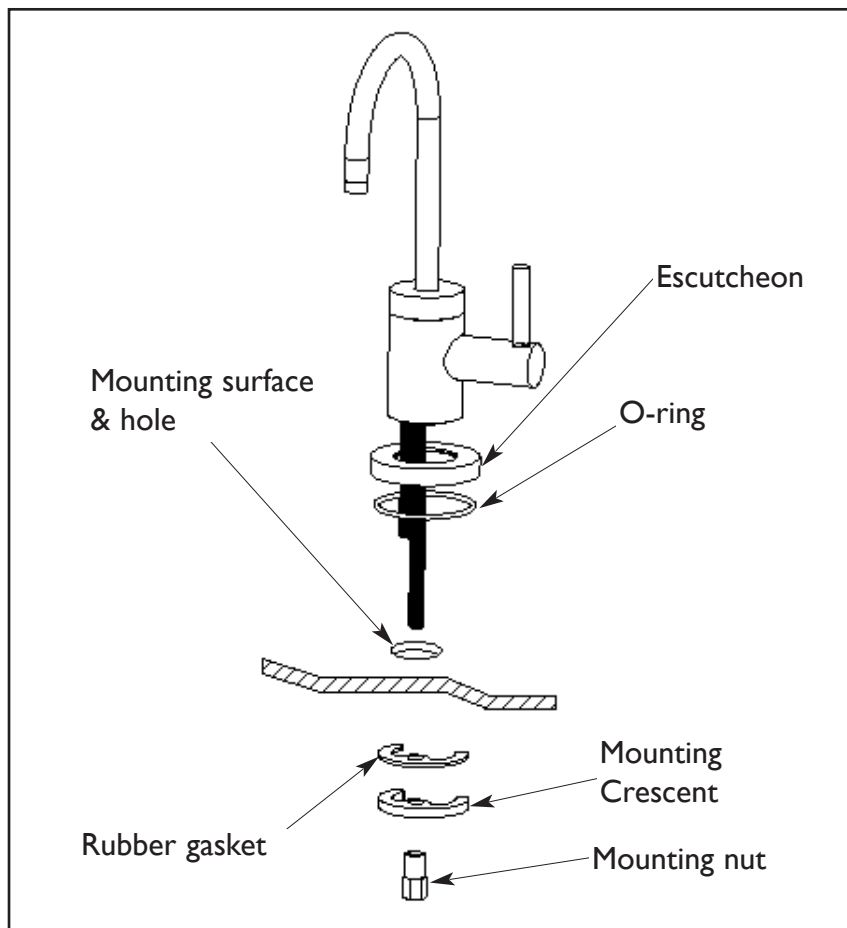


Figure 1

ATTACHING WATER SUPPLY CONNECTION (See Fig 2)

- Slide the 1/4" OD supply tube (not included) through compression nut and compression sleeve. Place insert into end of tube.
- Insert the end of tube into faucet inlet and thread compression nut onto the end of inlet.

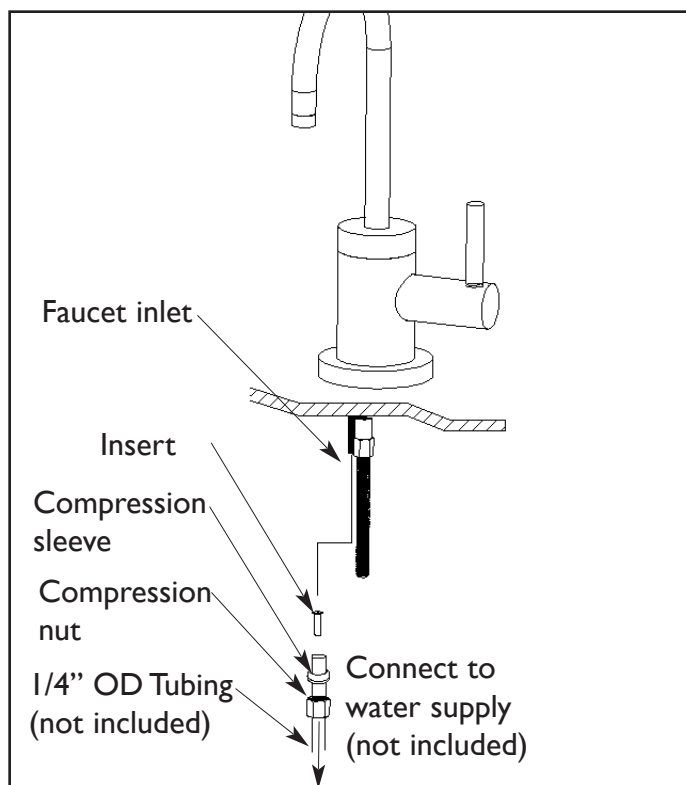


Figure 2

3. TEST INSTALLED FAUCET

- With handle in OFF position, turn on water supplies and check all connections for leaks.