
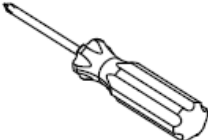

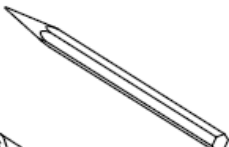

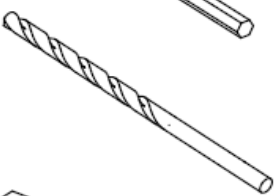

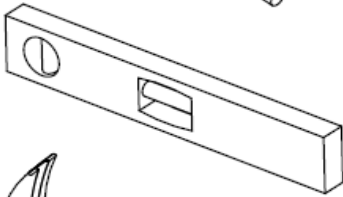

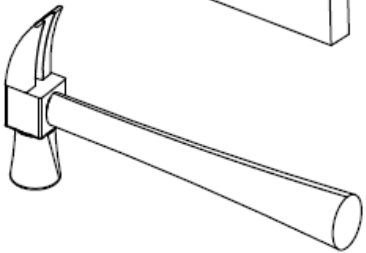

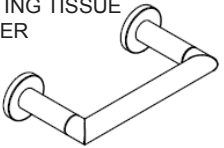


ITEMS INCLUDED	TOOLS REQUIRED
DRY WALL ANCHOR  X 4	PHILLIPS SCREW DRIVER 
TILE ANCHOR  X 4	PEN / PENCIL 
#8 SCREW  X 4	1/4"(6 mm) DRILL 
MOUNTING BRACKET  X 2	LEVEL SET 
M6X1 SET SCREW  X 2	HAMMER 
3MM HEX KEY  X 1	
PIVOTING TISSUE HOLDER  X 1	

# PRIYA / KEATON

## INSTALLATION INSTRUCTIONS

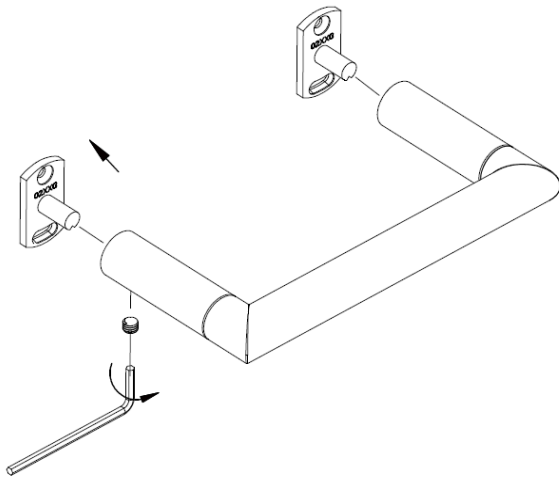
36-28

### PIVOTING TISSUE HOLDER

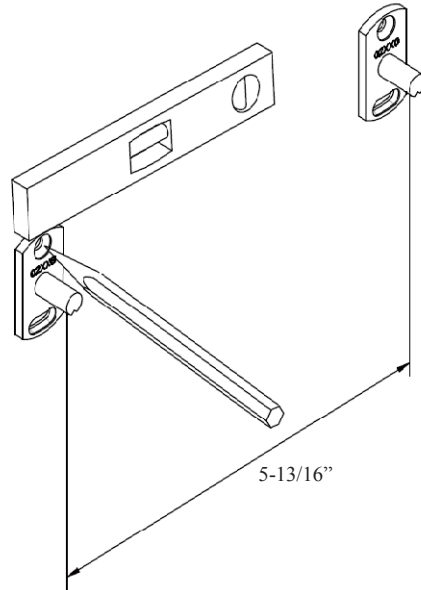
**NEWPORT BRASS**  
 Flawless Beauty. From Faucet to Finish.™

2001 CARNEGIE AVE, SANTA ANA CA 92705  
 (949) 417-5207  
 WWW.NEWPORTBRASS.COM

1 REMOVE MOUNTING BRACKETS



2 ALIGN MOUNTING BRACKETS AND MARK LOCATION



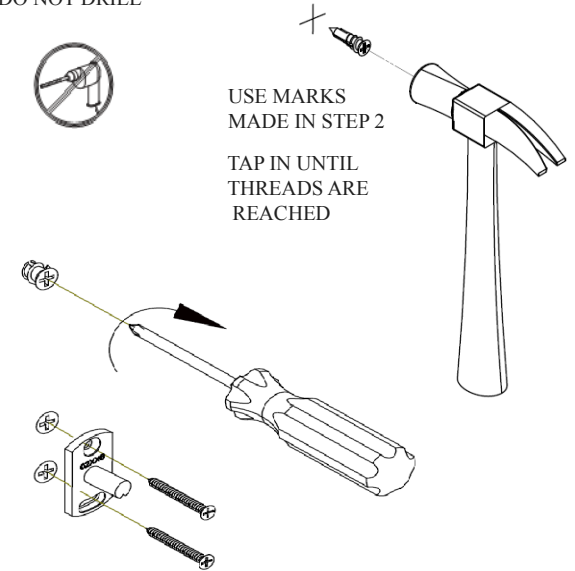
3 DRY WALL INSTALLATION

DO NOT DRILL



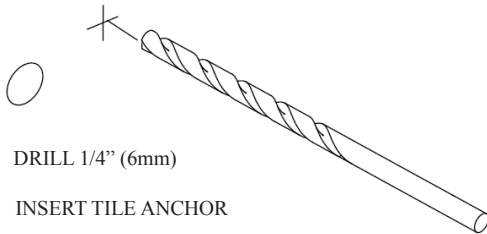
USE MARKS  
MADE IN STEP 2

TAP IN UNTIL  
THREADS ARE  
REACHED



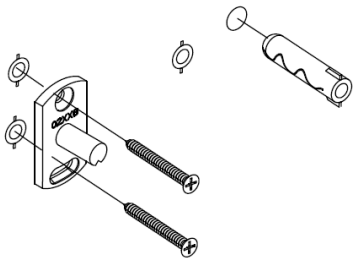
4 TILE OR SOLID WALL INSTALLATION

USE MARKS MADE IN STEP 2



DRILL 1/4" (6mm)

INSERT TILE ANCHOR



5 INSTALL PRODUCT ONTO BRACKETS. REGISTER ROSETTE ONTO POST AND PRESS LIGHTLY DURING INSTALLATION

