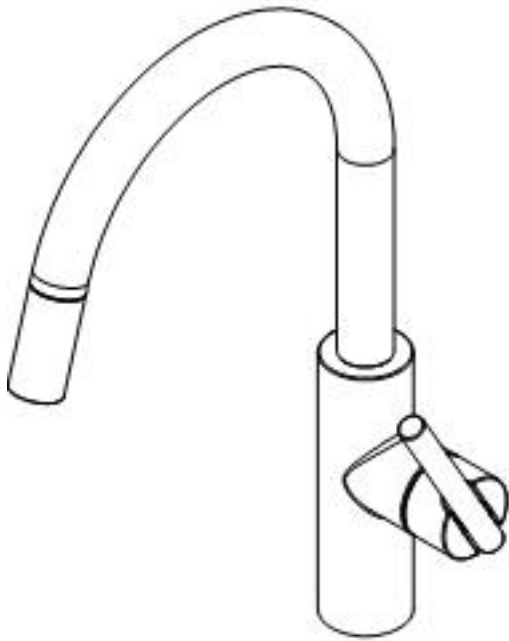


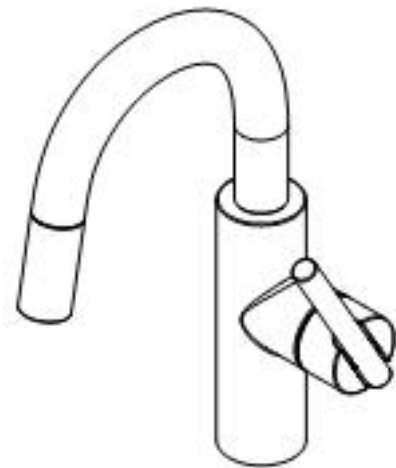
INSTALLATION INSTRUCTIONS
KITCHEN FAUCET WITH
PULLDOWN SPRAY

NEWPORT BRASS
Flawless Beauty. From Faucet to Finish.™

Model No's: 1500-5113,
1500-5223



1500-5113



1500-5223

**Congratulations on the purchase
of your Newport Brass product,
an excellent choice, that will give you
years of quality service and enhance
the look and style of your home.**

Recommended Installation by a Professional Plumbing Contractor

Note: The use of petroleum base plumbers putty on our products will nullify the warranty. We recommend the use of clear silicone sealing materials.

If mounting faucet to stainless steel rim, an under-mount support, (e.g. wood, appropriate size x 1/2" thick), should be utilized.

1. Drill hole in mounting surface. Recommended deck hole $\text{Ø}1.350''$ not to exceed $\text{Ø}1.562''$.
2. Insert Hoses through base O-RING (1) and hole in mounting surface. Secure into place with MOUNTING KIT (3). **See Figure 1.**
3. Attach hot/cold spout supply directly to valves in the wall. **See Fig. 2**
4. **DO NOT** remove the HOSE (6) from SPOUT (4). **See Figure 3.**
5. Attach WEIGHT (9) to HOSE (6) in the appropriate area shown, on the upward swing toward the SPRAYHEAD (5), in order to provide proper pull to hose. **See Figure 4.**
6. Connect HOSE (6) to valve OUTLET(8). **See Figure 4.** Attach CLIP (7) to the connection between HOSE (6) and OUTLET(8). **See Figure 4a.**

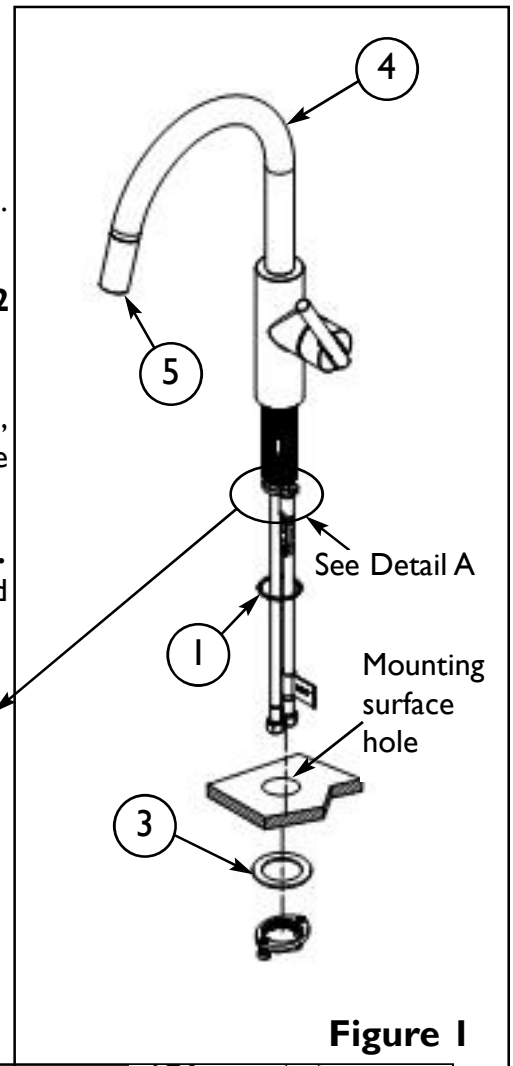


Figure 1

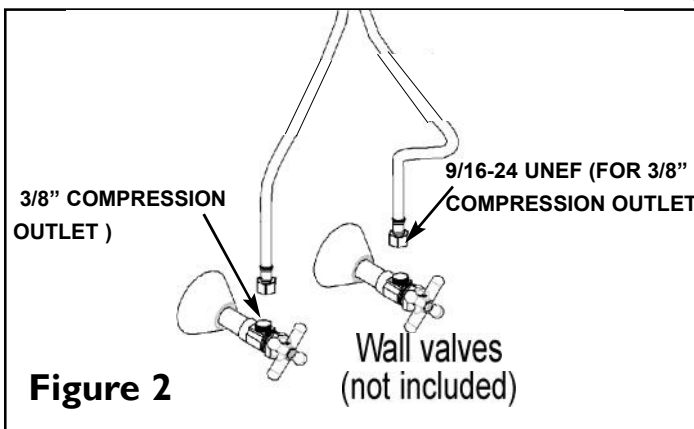


Figure 2

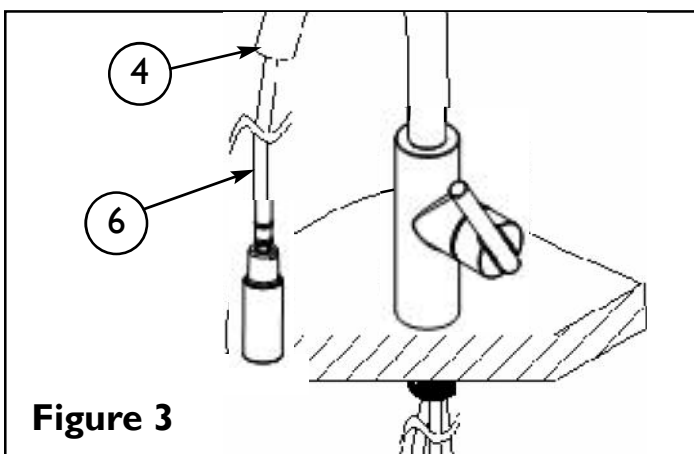


Figure 3

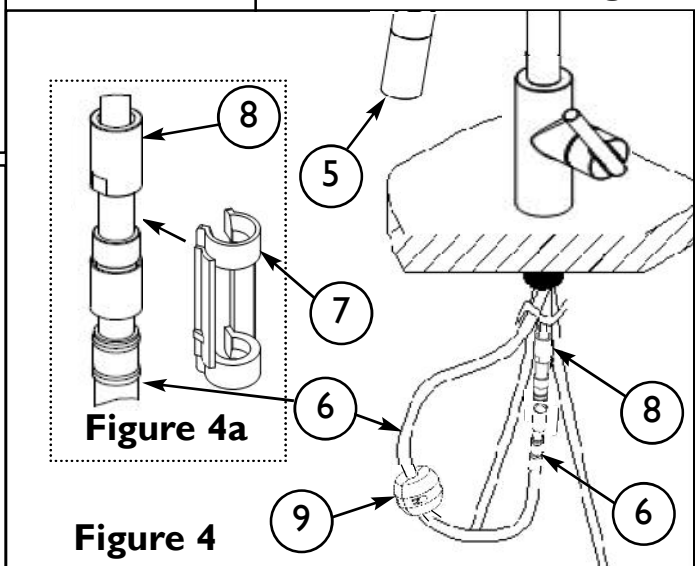


Figure 4

8. With faucet in the OFF position, open water supply valves. Inspect connections under sink for leaks. **DO NOT** turn faucet on yet.

9. Pull SPRAYHEAD (5) out from SPOUT (4). While holding HOSE (6), detach SPRAYHEAD (5). Aiming HOSE (6) into sink, turn on faucet to center position (mixed) and flush for one minute to remove debris from lines.

10. Turn OFF faucet and reattach SPRAYHEAD (5) to HOSE (6). **See Figure 5.**

11. Check the SPRAYHEAD (5) by operating the trigger from aerator to spray.

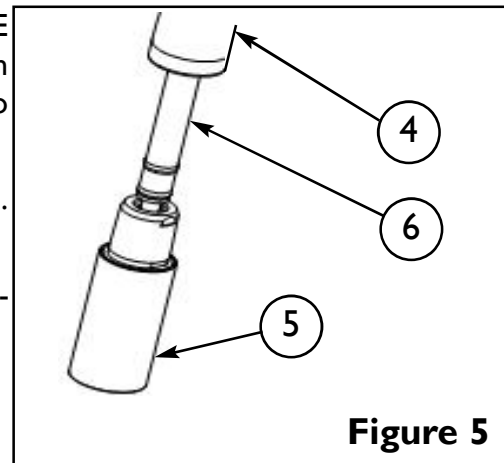


Figure 5

ORDER 11870
FOR 1500-5223

BILL OF MATERIAL (CURRENT LEVEL)				
ITEM	PT/ASSY	DESCRIPTION	TYPE	QTY.
1	2-782	MAIN BODY ASM, EAST LINEAR	ASSEMBLY	1
2	91540	SWIVEL SLEEVE, BOTTOM	PART	1
3	91030	O-RING, #2- 115, EPDM, 65-75 DURO, NSF 61	PART	4
4	1-064	SINGLE LEVER CARTRIDGE	PART	1
5	2-781	CART. RETAINER ASM	ASSEMBLY	1
6	2-792	HANDLE HUB ASM, CONTEMP	ASSEMBLY	1
7	11874	HANDLE ADAPTER SCREW	PART	1
8	91534	CARTRIDGE STEM INSERT	PART	1
9	11840	SPOUT, CONTEMP PULL-DOWN	PART	1
10	91544	MAGNET DOCKING	ASSEMBLY	1
11	3-480	SPRAY HEAD, EAST LINEAR	ASSEMBLY	1
12	11877	HOSE, PULLDOWN SWIVEL	ASSEMBLY	1
13	91255	O-RING, #2- 011, EPDM, 65-75 DURO, NSF-61	PART	2
14	91568	RETAINER CLIP	PART	1
15	1-256	MOUNTING KIT	ASSEMBLY	1
16	2-780	HANDLE ASM	ASSEMBLY	1
17	91341	ZIP TIE	PART	1
18	98044	LABEL - HOT	PART	1
19	1-286	WEIGHT ASM	ASSEMBLY	1

Figure 6 - Spare Parts

2001 CARNEGIE AVE, SANTA ANA CA 92705

(949) 417-5207

WWW.NEWPORTBRASS.COM