
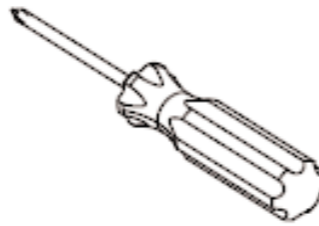

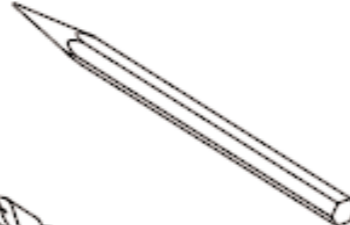



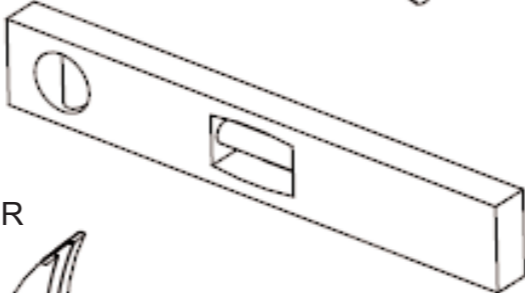

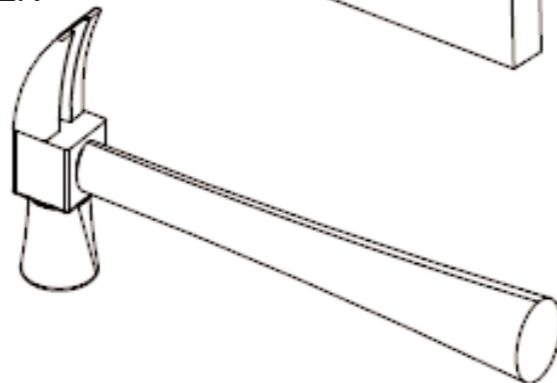

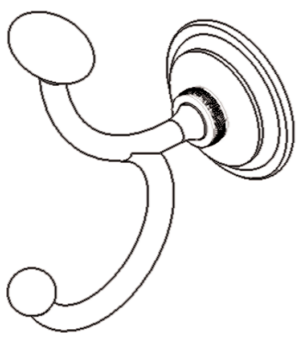


ITEMS INCLUDED		TOOLS REQUIRED	
DRY WALL ANCHOR	 X 2	PHILLIPS SCREW DRIVER	
TILE ANCHOR	 X 2	PEN / PENCIL	
#8 SCREW	 X 2	1/4" (6 mm) DRILL	
MOUNTING BRACKET	 X 1	LEVEL SET	
M5 X 5 SET SCREW	 X 1	HAMMER	
2.5 MM HEX KEY	 X 1		
DOUBLE ROBE HOOK	 X 1		

INSTALLATION INSTRUCTIONS

DOUBLE ROBE HOOK



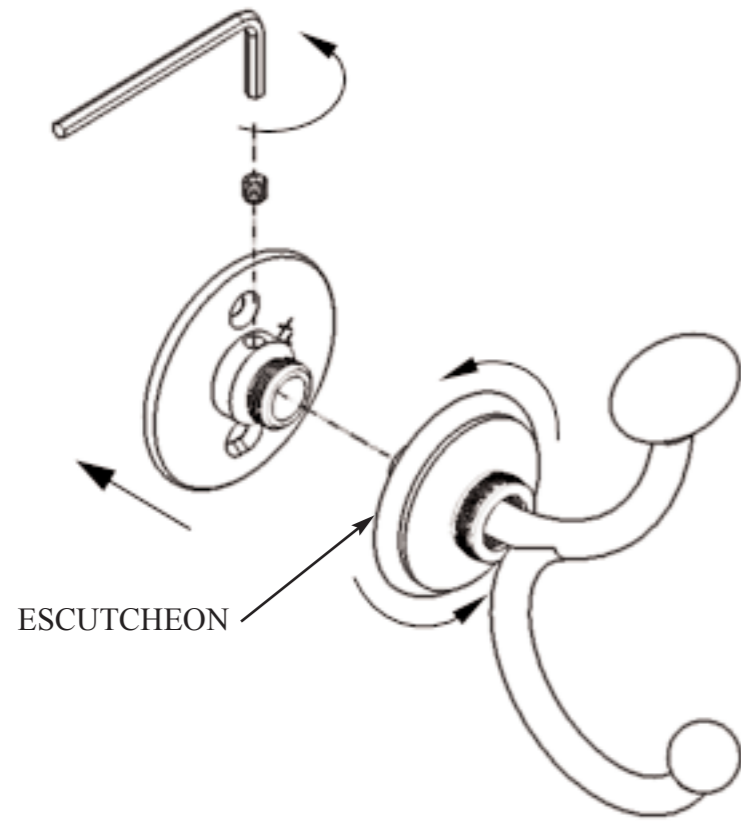
2001 CARNEGIE AVE, SANTA ANA CA 92705

(949) 417-5207

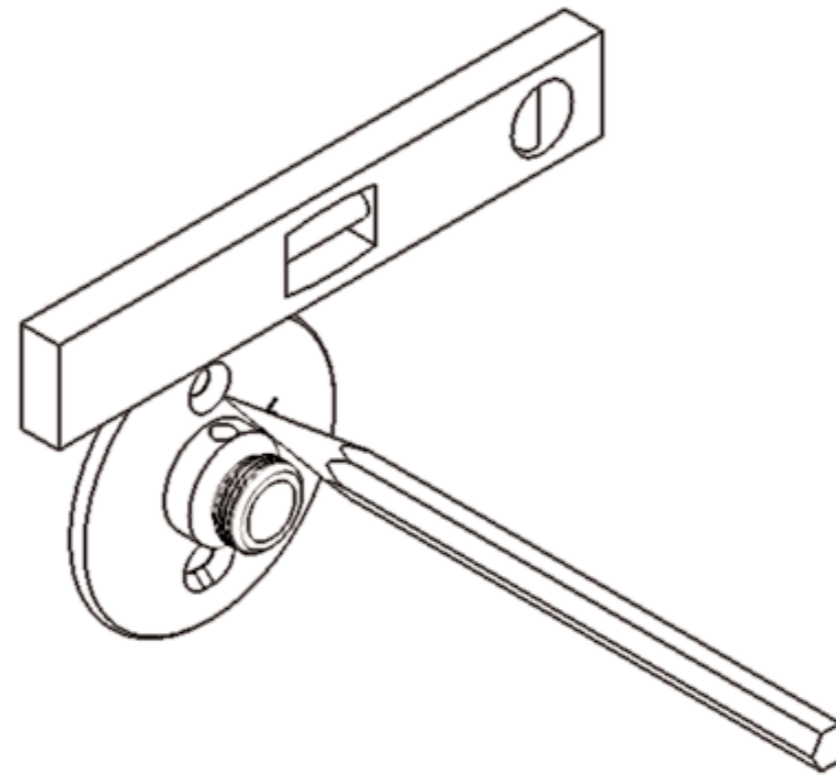
WWW.GINGERCO.COM

WWW.NEWPORTBRASS.COM

① REMOVE MOUNTING BRACKET AFTER LOOSENING THE ESCUTCHEON

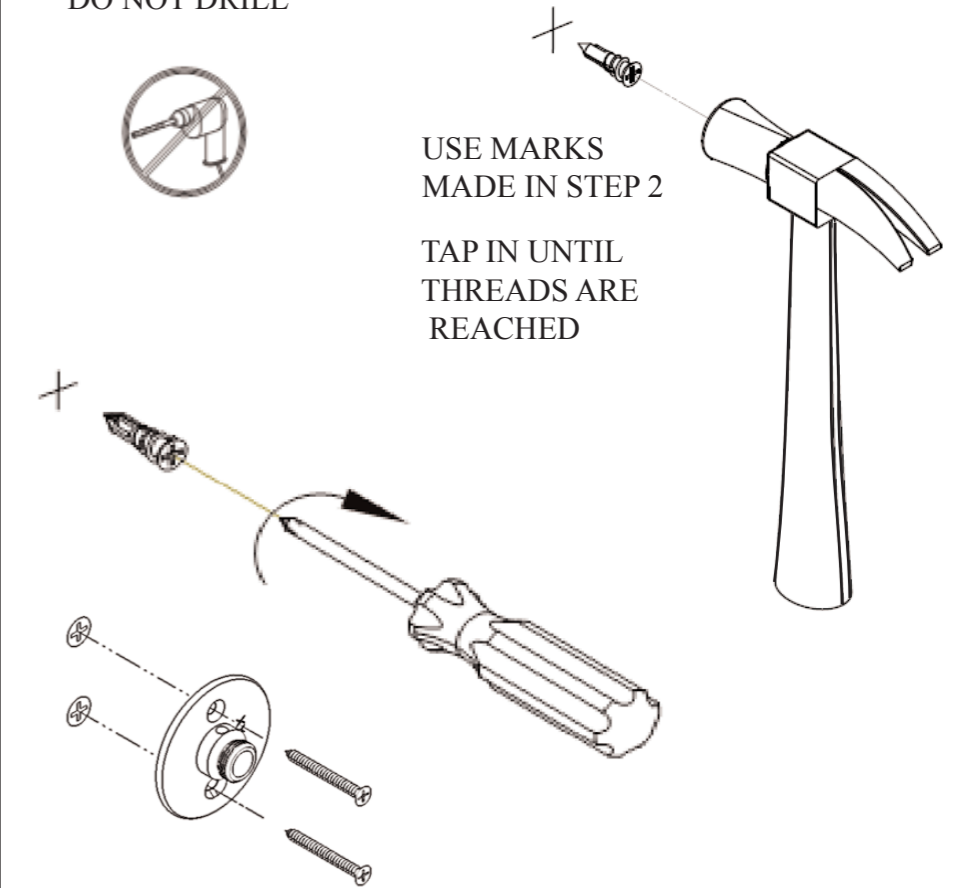


② ALIGN MOUNTING BRACKET AND MARK LOCATION



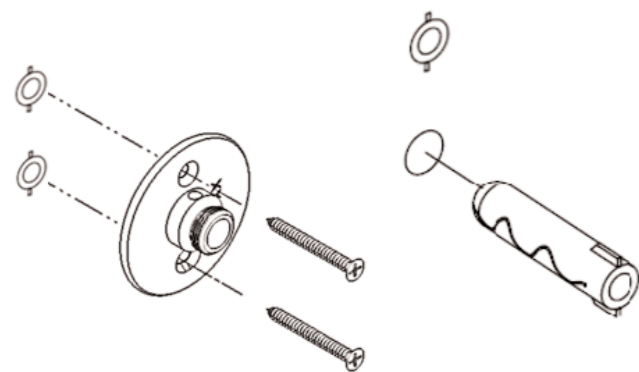
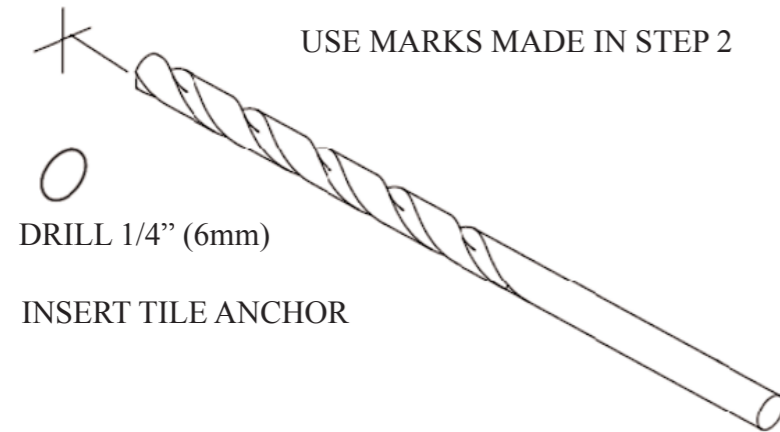
③ DRY WALL INSTALLATION

DO NOT DRILL



④ TILE OR SOLID WALL INSTALLATION

USE MARKS MADE IN STEP 2



⑤ INSTALL PRODUCT ONTO BRACKET AND TIGHTEN THE ESCUTCHEON

