
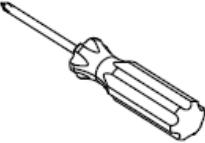

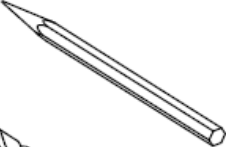

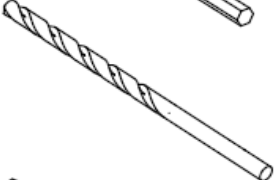

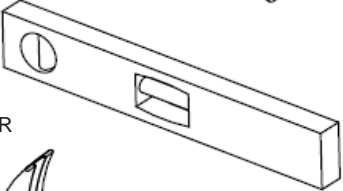

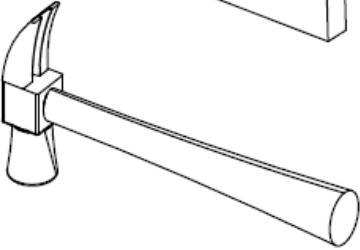

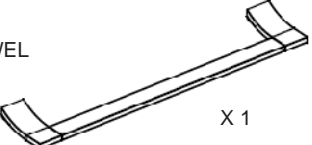


ITEMS INCLUDED	TOOLS REQUIRED
DRY WALL ANCHOR  X 4	PHILLIPS SCREW DRIVER 
TILE ANCHOR  X 4	PEN / PENCIL 
#8 SCREW  X 4	1/4" (6mm) DRILL 
MOUNTING BRACKET  X 2	LEVEL SET 
1/4-28 SET SCREW  X 2	HAMMER 
1/8" HEX KEY  X 1	
TOWEL BAR  X 1	

SECANT

INSTALLATION INSTRUCTIONS

37-02

TOWEL BAR

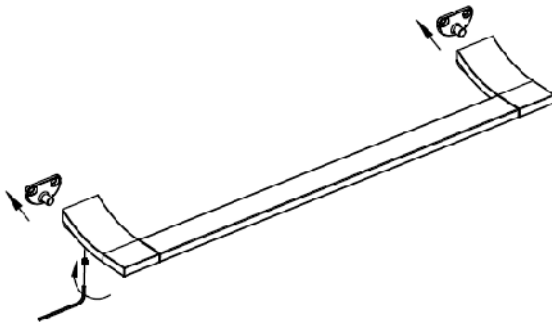
NEWPORT BRASS
 Flawless Beauty. From Faucet to Finish.™

2001 CARNEGIE AVE, SANTA ANA CA 92705

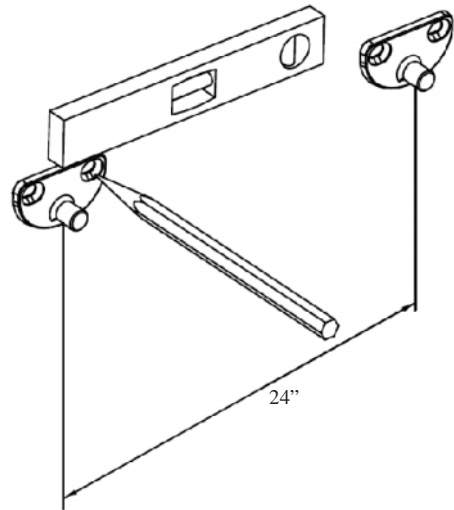
(949) 417-5207

WWW.NEWPORTBRASS.COM

① REMOVE MOUNTING BRACKETS



② ALIGN MOUNTING BRACKETS AND MARK LOCATION



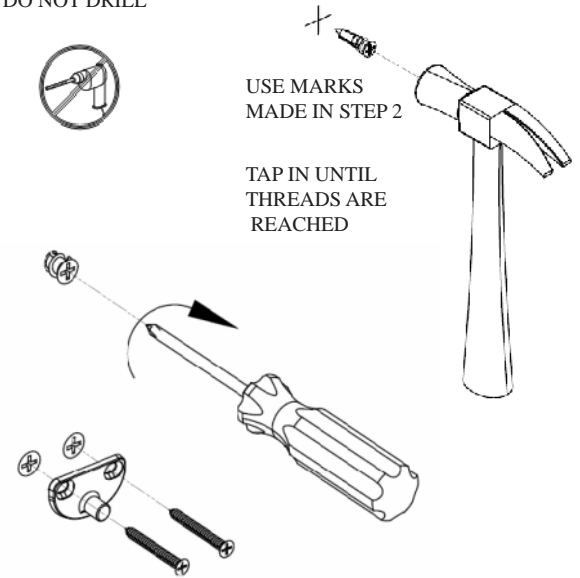
③ DRY WALL INSTALLATION

DO NOT DRILL



USE MARKS
MADE IN STEP 2

TAP IN UNTIL
THREADS ARE
REACHED

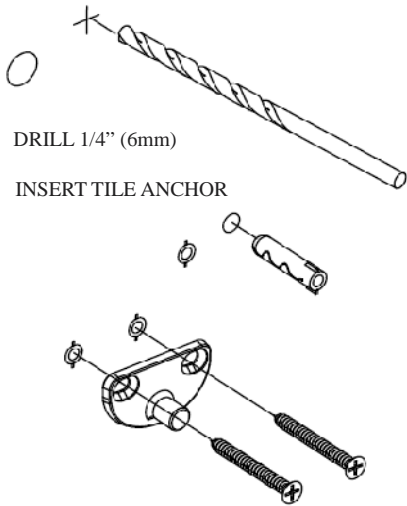


④ TILE OR SOLID WALL INSTALLATION

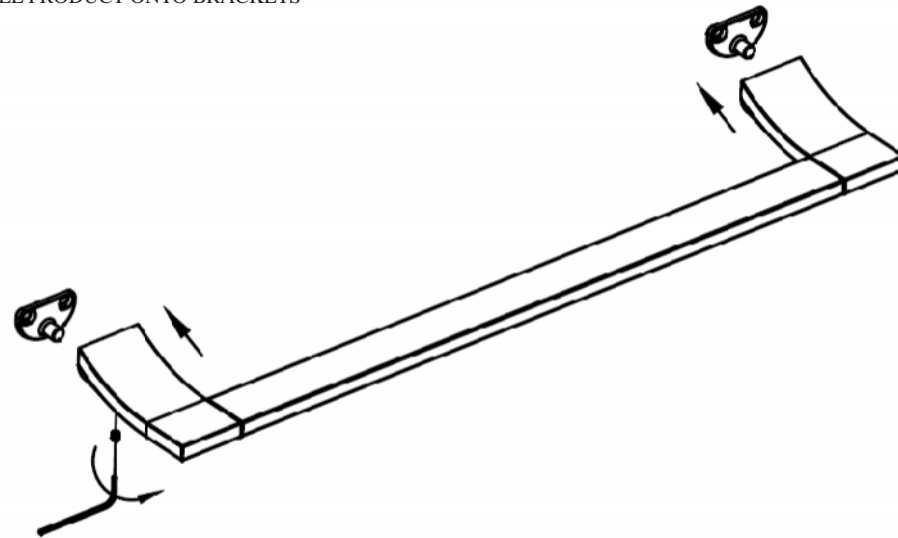
USE MARKS MADE IN STEP 2

DRILL 1/4" (6mm)

INSERT TILE ANCHOR



⑤ INSTALL PRODUCT ONTO BRACKETS



SECURE WITH SET SCREW