

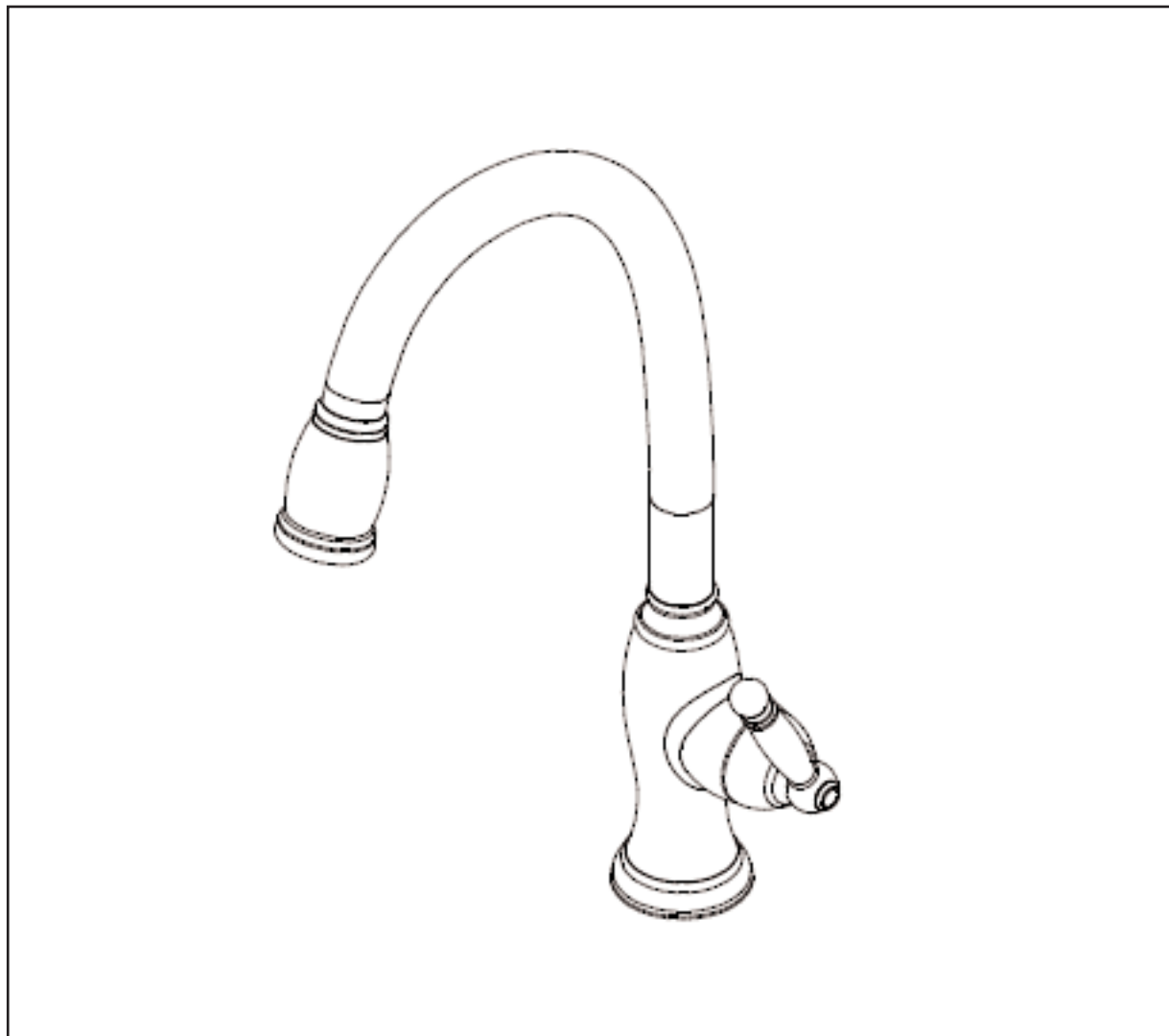
INSTALLATION INSTRUCTIONS

NADYA PULL DOWN

KITCHEN FAUCET

Model No's: 2510-5103

NEWPORT BRASS
Flawless Beauty. From Faucet to Finish.™



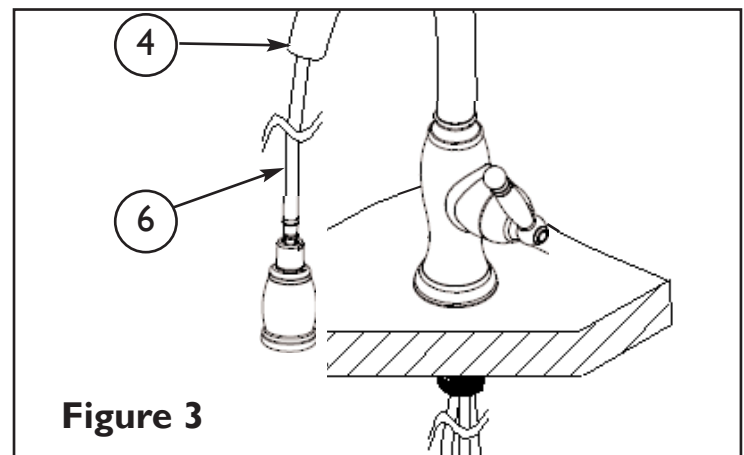
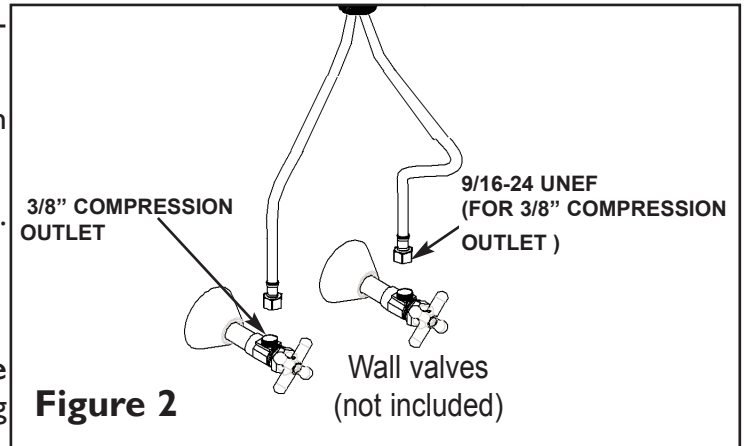
Congratulations on the purchase of your Newport Brass product, an excellent choice, that will give you years of quality service and enhance the look and style of your home.

Recommended Installation by a Professional Plumbing Contractor

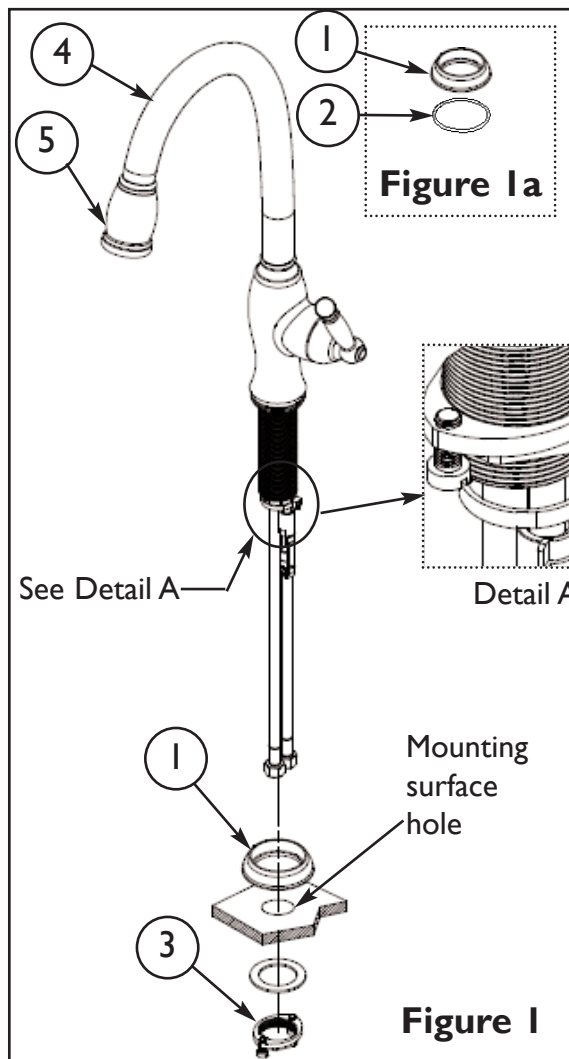
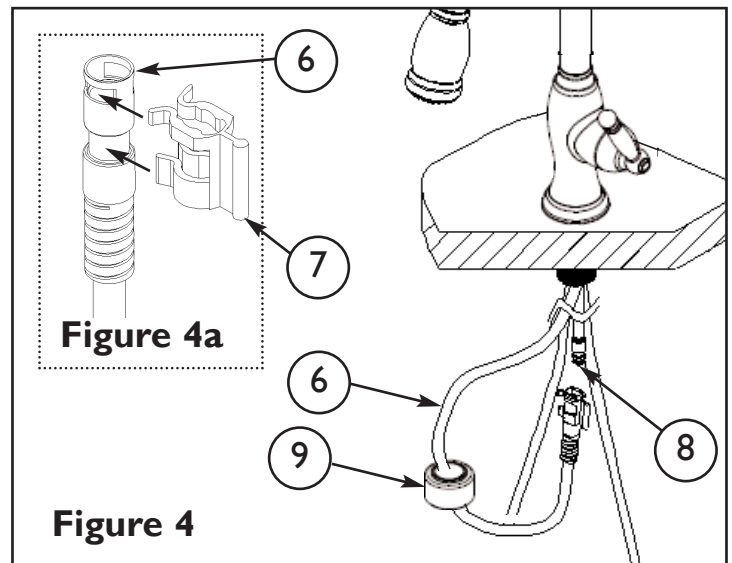
Note: The use of petroleum base plumbers putty on our products will nullify the warranty. We recommend the use of clear silicone sealing materials.

If mounting faucet to stainless steel rim, an under-mount support, (e.g. wood, appropriate size x 1/2" thick), should be utilized.

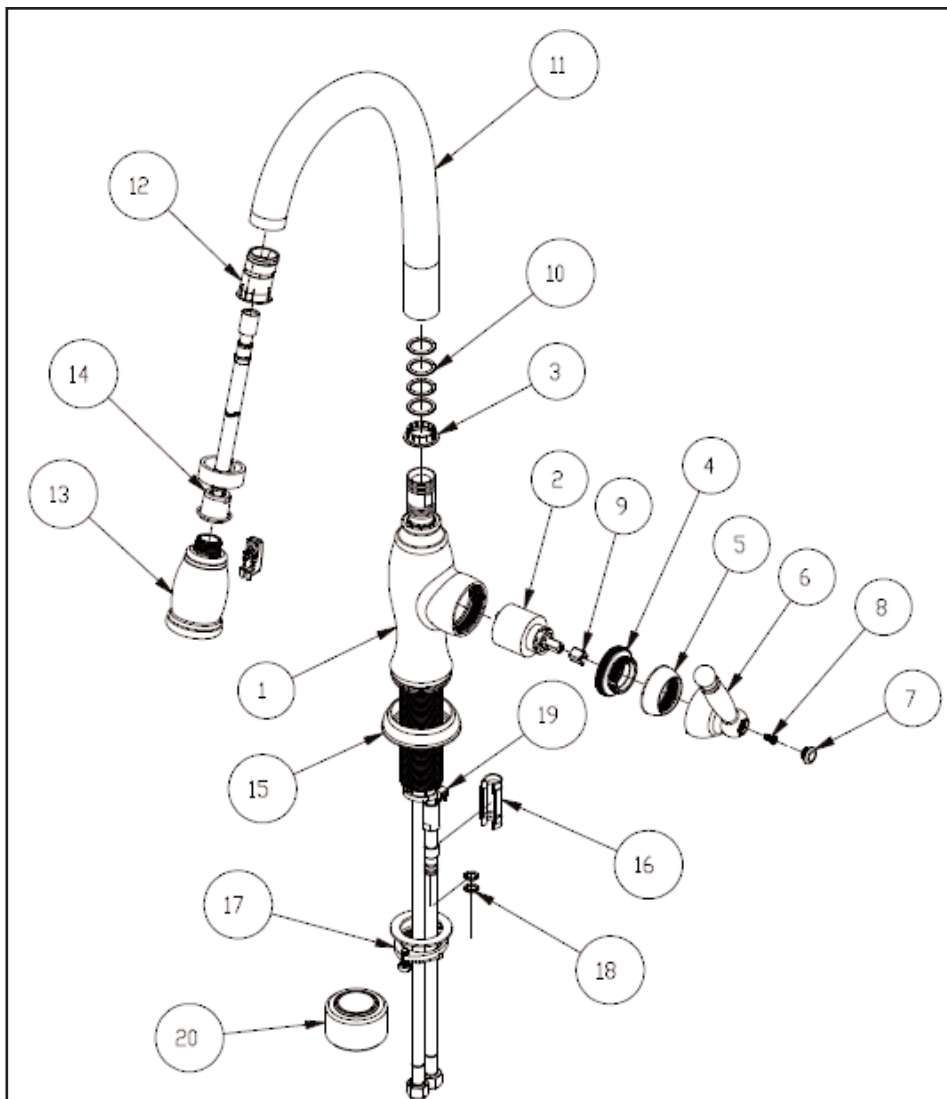
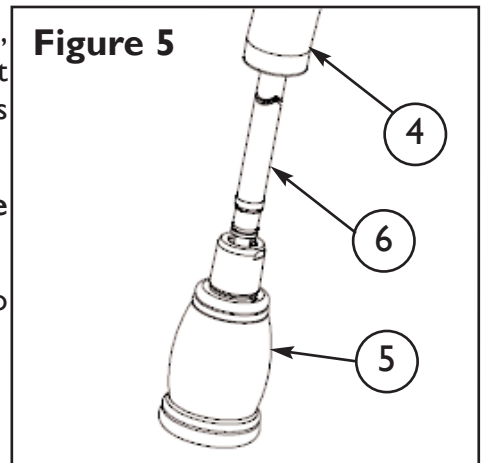
1. Drill hole in mounting surface. Recommended deck hole $\varnothing 1.350''$ not to exceed $\varnothing 1.562''$.
2. Place O-ring (2) on underside of base RING (1). **See Figure 1a.**
3. Insert Hoses through base RING (1) and hole in mounting surface. Secure into place with MOUNTING KIT (3). **See Figure 1.**
4. Attach hot/cold spout supply directly to valves in the wall. **See Fig. 2**
5. **DO NOT** remove the HOSE (6) from SPOUT (4). **See Figure 3.**
6. Slide WEIGHT(9) onto HOSE(6). **See Figure 4.**
7. Attach CLIP (7) to HOSE (6) as shown. **See Figure 4a.** Connect to valve OUTLET (8) by firmly pressing together until it clicks into place. **See Figure 4.**



DO NOT REMOVE ZIP TIE



8. With faucet in the OFF position, open water supply valves. Inspect connections under sink for leaks. **DO NOT** turn faucet on yet.
9. Pull SPRAYHEAD (5) out from SPOUT (4). While holding HOSE (6), unscrew SPRAYHEAD (5). Aiming HOSE (6) into sink, turn on faucet to center position (mixed) and flush for one minute to remove debris from lines.
10. Turn OFF faucet and reattach SPRAYHEAD (5) to HOSE (6). See **Figure 5**.
11. Check the SPRAYHEAD (5) by operating the trigger from aerator to spray.



BILL OF MATERIAL (CURRENT LEVEL)				
ITEM	PT/ASSY	DESCRIPTION	TYPE	QTY.
1	2-779	MAIN BODY ASM, NADYA	ASSEMBLY	1
2	1-064	SINGLE LEVER CARTRIDGE	PART	1
3	91340	SWIVEL SLEEVE, BOTTOM	PART	1
4	11714	CARTRIDGE RETAINER	PART	1
5	11715	CARTRIDGE CAP	PART	1
6	2-745	HANDLE ASM, TRAD	ASSEMBLY	1
7	2-778	CAP ASM	ASSEMBLY	1
8	92035	SCREW- FLT HD #4 X .7 X 10mm	PART	1
9	91334	CARTRIDGE STEM INSERT	PART	1
10	91030	O-RING #7-115	PART	4
11	11839	SPOUT, TRAD PULL-DOWN	PART	1
12	91344	MAGNET DOCKING	ASSEMBLY	1
13	3-415	SPRAY HEAD, TRADITIONAL	ASSEMBLY	1
14	11877	HOSE, PULLDOWN SWIVEL	ASSEMBLY	1
15	2-777	BASE RING ASM	ASSEMBLY	1
16	91368	RETAINER CLIP	PART	1
17	1-256	MOUNTING KIT	ASSEMBLY	1
18	91255	O-RING, (PART# #2-011)	PART	2
19	91341	ZIP TIE	PART	1
20	1-258	WEIGHT ASM	ASSEMBLY	1

Figure 6 - Spare Parts