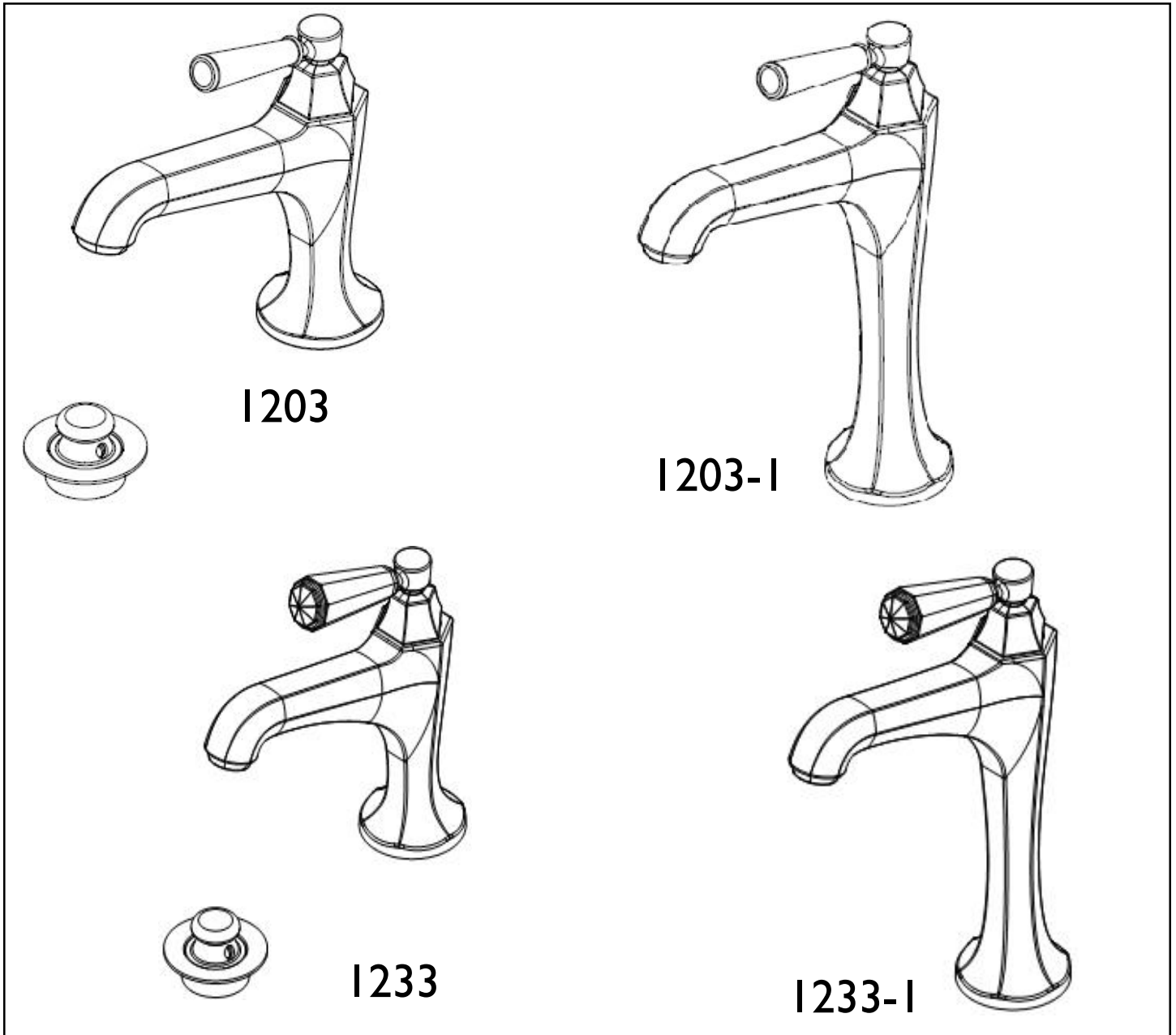


# METROPOLE

## SINGLE HOLE VESSEL FAUCET INSTALLATION INSTRUCTIONS

Model No: I203 / I203-1/I233/I233-1



# NEWPORT BRASS

Flawless Beauty. From Faucet to Finish.™

2001 CARNEGIE AVE, SANTA ANA CA 92705

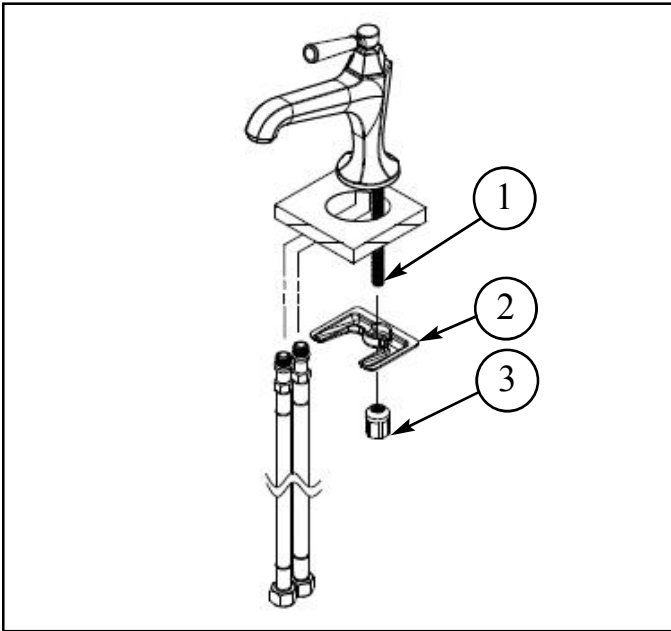
(949) 417-5207

WWW.NEWPORTBRASS.COM

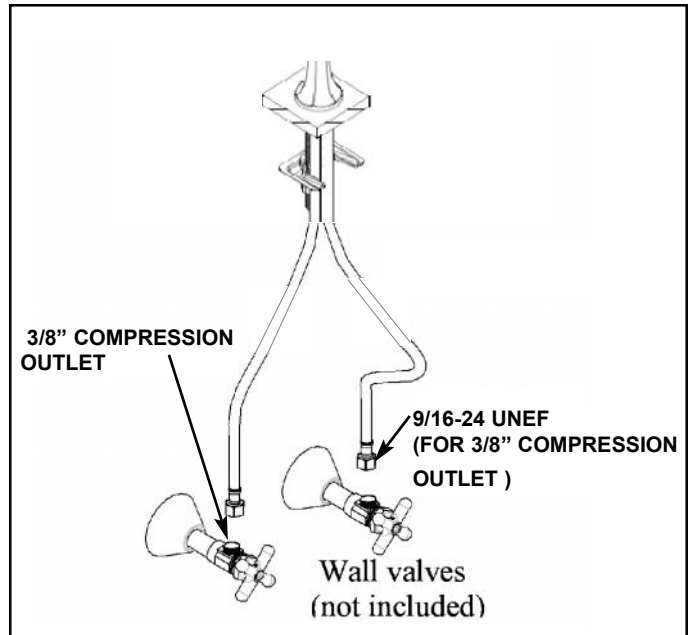
## Recommended Installation by a Professional Plumbing Contractor

Note: The use of petroleum base plumbers putty on our products will nullify the warranty. We recommend the use of clear silicone sealing materials. Recommended deck thru hole  $\varnothing$  1-3/8" to 1-5/8".

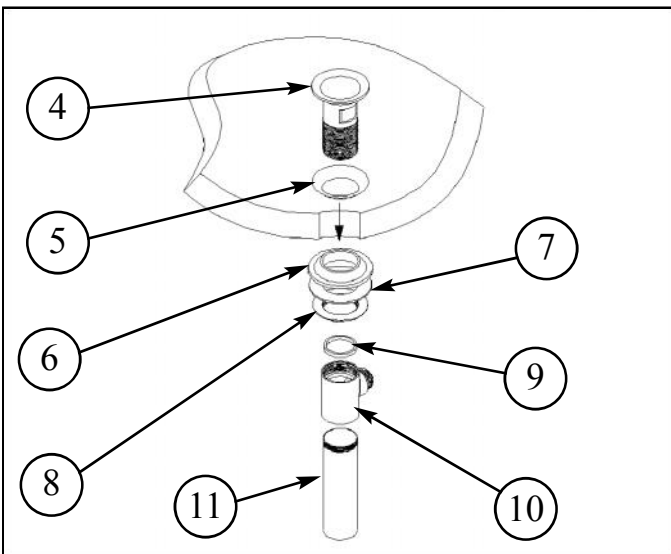
1. Insert hoses through deck hole one at a time, and secure spout into place with MOUNTING STUD(1), MOUNTING BRACKET(2) and MOUNTING NUT (3). See Fig. 1
2. Attach hot/cold spout supply hoses to valves in the wall. See Fig. 2
3. Drain assembly not included with 1203-1. Remove drain PLUG (4) from FLANGE (5). Place FLANGE (5) and white WASHER (6) through sink drain opening. (Clear silicone may be used in place of white washer.) From bottom side of sink, place cone shaped rubber WASHER (7) onto FLANGE (5) and slide up against sink bottom. Note: Cone portion of WASHER (7) to face upward. Next slide on clear flat WASHER (8) and secure with flange NUT (9). Place clear WASHER (10) into drain BODY (11) & tighten to FLANGE (5). Apply thread sealant to TAILPIECE (12) and attach to drain BODY (11). Attach TAILPIECE (12) to p-trap drain (not included). See Figure 3.
4. See Figure 4.
5. Remove aerator from spout using key supplied. Turn on water supply, and flush system until water is clear. Check for leaks and make any final adjustments required. Re-attach aerator to the spout.



**Figure 1**

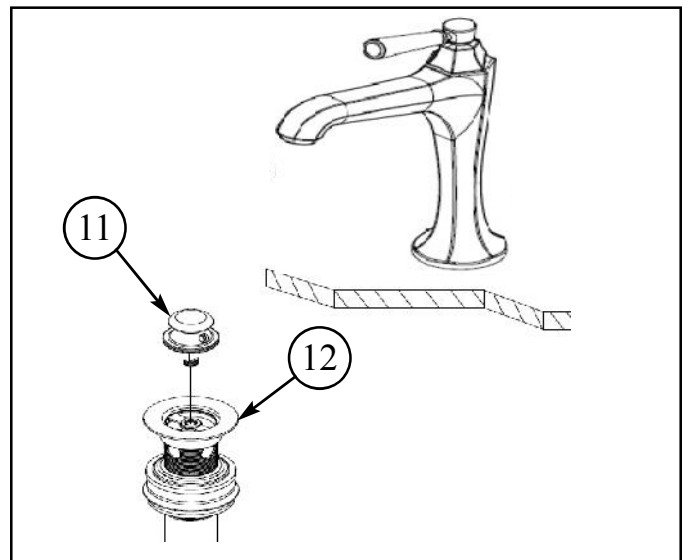


**Figure 2**



**Figure 3**

Drain assembly not included with 1203-1



**Figure 4**