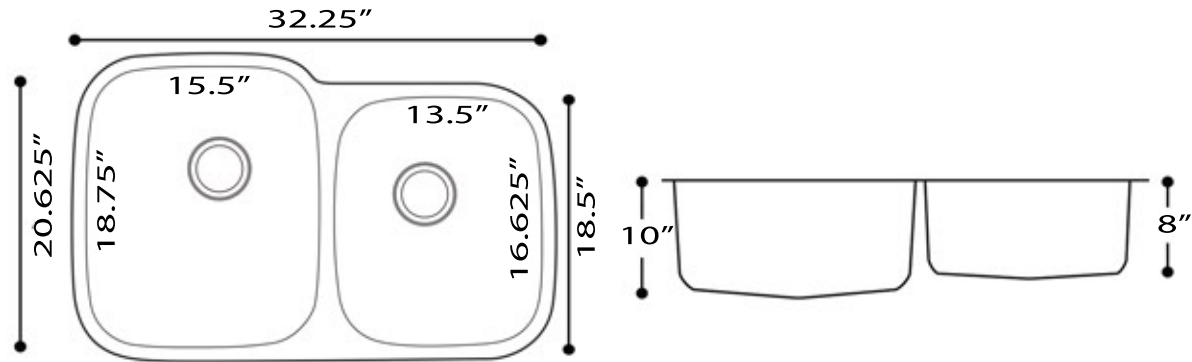


Sconset Collection

Premium Undermount Stainless Steel Kitchen Sink



MODEL:
NS503-16-CB



Overall Dimensions	Interior Bowls	Drain Diameters	Bottom Grid/s	Cutting Board
32.25" X 20.625" Left 32.25" X 18.5" Right	15.5" x 18.75" x 10" 13.5" x 16.625" x 8"	3.5"	BG503L, BG 503S	21.375" x 12.75" x 1"

FEATURES

- Premium 304, 16 gauge Stainless Steel Kitchen Sink
- 2 Grids, 2 Colander Drains and cutting board included
- Brushed Satin Finish
- Limited Lifetime Manufacturers Warranty
- Insulated to Reduce Condensation
- Rubber Padding is Applied for Noise Reduction



PROJECT/ NAME:

ARCHITECT/CONTRACTOR:

MODEL:

JOB NOTES: