



Buy it for looks. Buy it for life.®

Specifications

DESCRIPTION

- Various finishes identified by suffix
- Magnetix™ technology features an innovative magnetic docking system
- Includes rainshower, handshower and hose assembly
- 59" double interlock spiral hose (metal), for Chrome only
- Assembled with two check valves for backflow prevention
- Adjustable bracket
- Handshower always docks facing forward to avoid exterior splash outside your shower
- Handshower features a kink-free metal hose that extends your reach and flexibility

OPERATION

- Handshower features 3.75 in. spray face and 6 settings to allow you to customize your shower and desired spray performance
- Wall bracket rotates to adjust angle of handshower
- Ability to flow each shower head separately or combined for more coverage
- Pause/trickle button allows to momentarily pause the handshower flow at a push of a button

FLOW

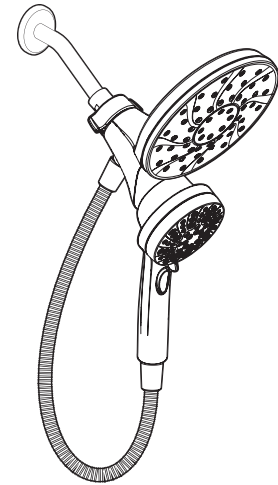
- Designed to deliver 2.0 gpm (7.6 L/min) max. at 80 psi

STANDARDS

- Designed and manufactured to comply with the applicable requirements of ASME A112.18.1/CSA B-125.1, ASSE 1014 and all applicable specifications referenced therein
- ADA ♿ for lever handle

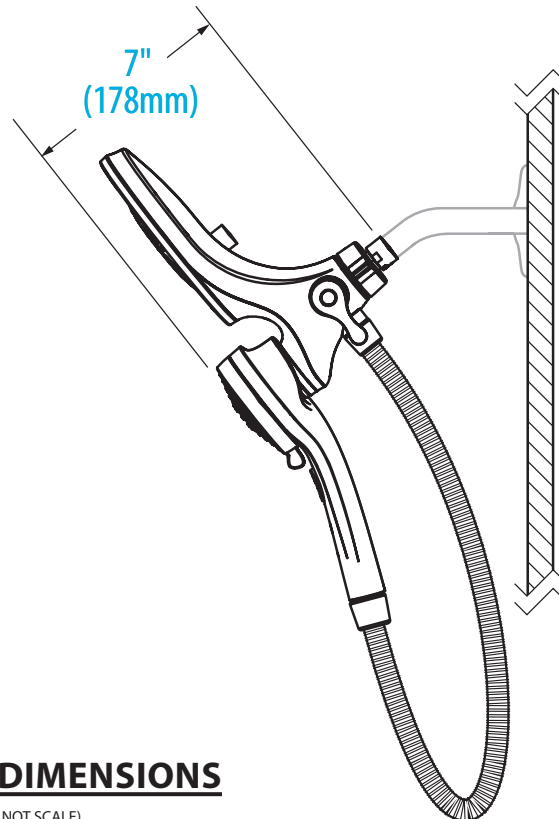
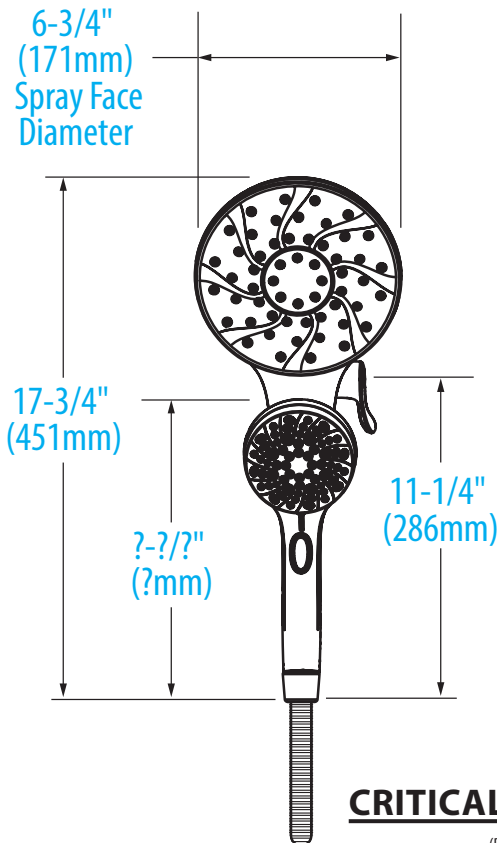
WARRANTY

- Lifetime limited warranty against material or manufacturing defects to the original consumer purchaser
- 5 year limited warranty when used in a commercial installation



Attract™
Magnetix™ Rainshower Combo

Models: 26009 series



CRITICAL DIMENSIONS

(DO NOT SCALE)