

## DESCRIPTION

- Versatile, hands-free convenience in the kitchen
- Optimized cleaning force with PowerClean™
- Allows users to control the faucet in 2 unique ways: Wave Sensor and familiar handle
- Powered by 6 AA batteries or optional AC adapter with power splitter
- High arc spout provides height and reach to fill or clean large pots while pull down wand provides the maneuverability for cleaning or rinsing
- Reflex™ pulldown system offers smooth operation, easy movement and secure docking
- Metal construction with various finishes identified by suffix
- Pulldown spray with 68" braided hose
- Flexible supply lines with 3/8" compression fittings connect directly to supply stop
- Spout uses push-fit hose connections
- Includes liquid soap dispenser

## OPERATION

- Lever style handle, installed on right hand side only
- Temperature controlled by 100° arc of handle travel
- Operates with less than 5 lbs. of force
- Operates in stream or spray mode in the pulldown or retracted position
- Spout rotates 360 degrees
- When filling a vessel outside the sink, the pause feature conveniently stops the flow of water as the wand passes over the counter top

## FLOW

- Flow is limited to 1.5 gpm (5.7 L/min) at 60 psi
- Operates in eco-performance mode by default in aerated and spray stream

## CARTRIDGE

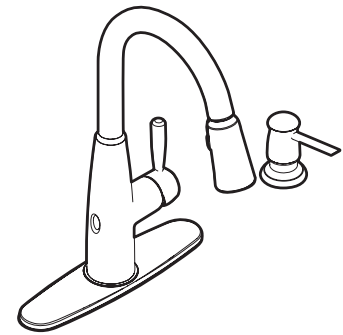
- 1255™ Duralast™ cartridge for Single-Handle Faucets
- Engineered polymers, non-ferrous and stainless steel materials

## STANDARDS

- Third party certified to ASME A112.18.1/CSA B125.1 and all applicable requirements referenced therein including NSF 61/9 & 372
- Meets Georgia SB370 requirements
- Complies with California Proposition 65 and with the Federal Safe Drinking Water Act
- The backflow protection system in the device consists of two independently operating check valves, a primary and a secondary which prevent backflow
- **ADA** ♿ for lever handle

## WARRANTY

- Limited lifetime warranty against leaks, drips, finish defects to the original consumer purchaser
  - 5 year warranty electronic operation defects to the original consumer purchaser
  - 5 year warranty against leaks, drips, finish defects if used in commercial installations
  - 1 year warranty against electronic operation defects if used in commercial installations
- Visit [www.moen.com/support](http://www.moen.com/support) for complete details and limitations



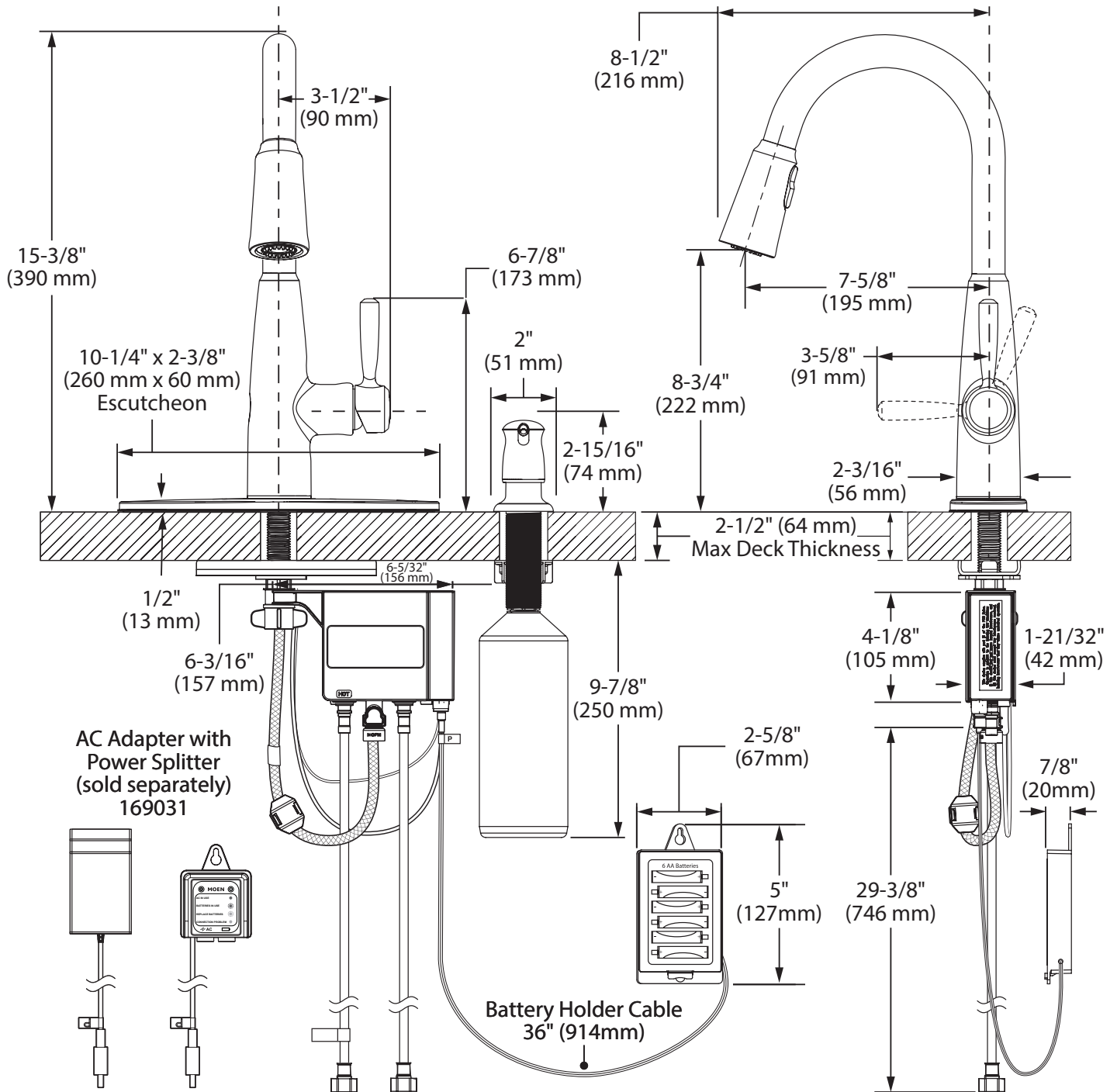
## Sperry™ Single-Handle High Arc Pulldown Kitchen Faucet

**Models:** 87696EW series

**NOTE:** THIS FAUCET IS DESIGNED TO BE INSTALLED THROUGH 1, 2, 3, OR 4 HOLES, 1-1/2" (38MM) MIN. DIA.

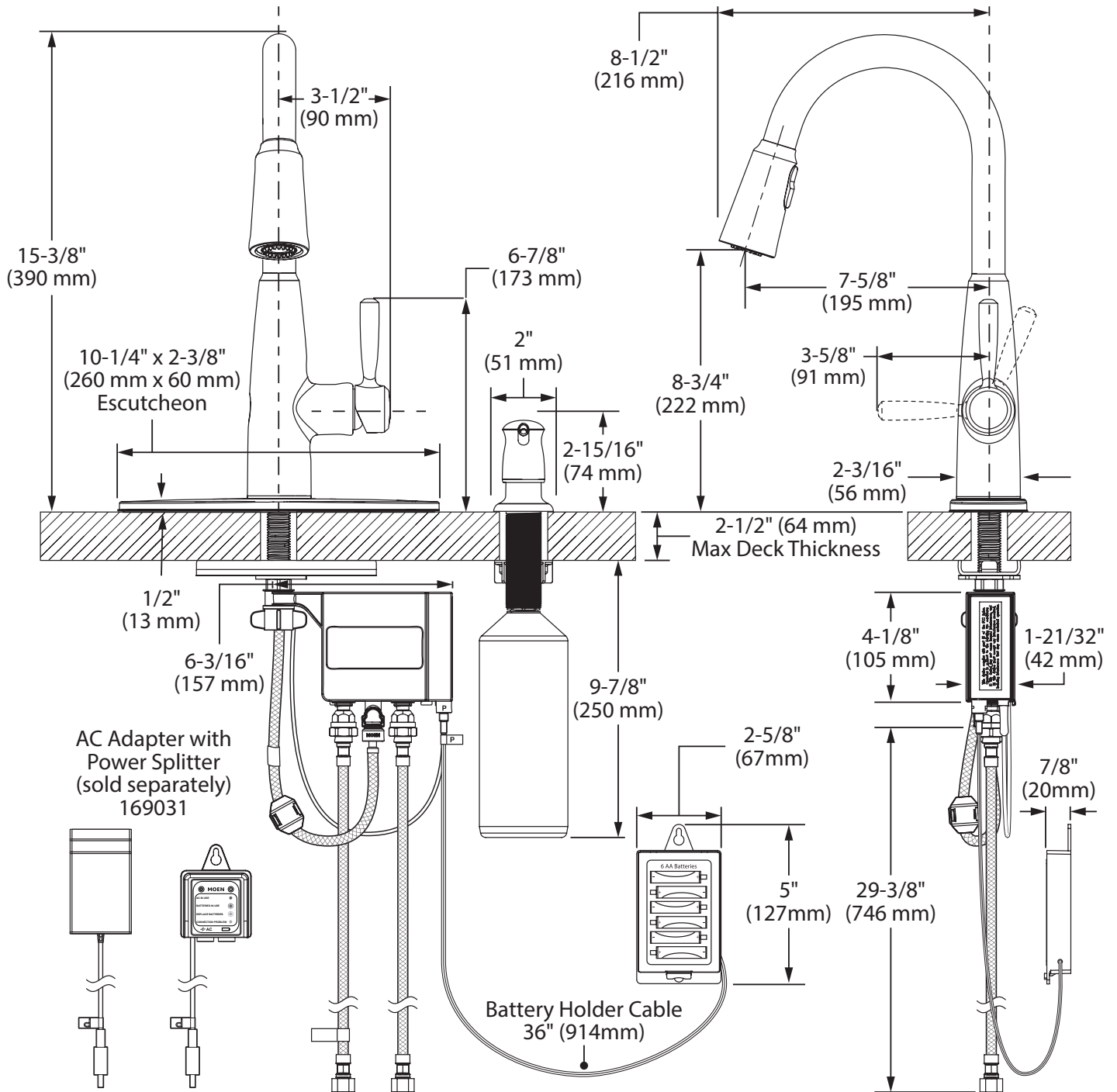


See pages 2 and 3 for dimensions



## CRITICAL DIMENSIONS

(DO NOT SCALE)



## CRITICAL DIMENSIONS

(DO NOT SCALE)