

FAUCET DESCRIPTION

- Chrome plated metal construction
- Pressure balancing cycle valve design with 1/4 turn stops
- Contains: hand-held shower, 30" slide bar, drop ell, vacuum breaker, 69" metal hose and mounting hardware
- **Slide bar is NOT DESIGNED TO BE A GRAB BAR**
- Supplied with vandal resistant screws
- Quick cleaning rubber nozzles

OPERATION

- Temperature valve has ADA compliant lever style handle
- Handle operates counterclockwise through a 270° arc with off at 6 o'clock, and maximum hot at the 9 o'clock position. Shut off in clockwise direction
- Adjustable temperature limit stop
- Pressure balancing mechanism maintains selected discharge temperature to $\pm 2^\circ$.
- Single function spray pattern

FLOW

- 2.5 gpm (9.5 L/min) MAX at 80 psi for Hand-Held shower head

CARTRIDGE

- 1222 cartridge design
- Nonmetallic/nonferrous and stainless steel materials
- Accommodates back to back installations

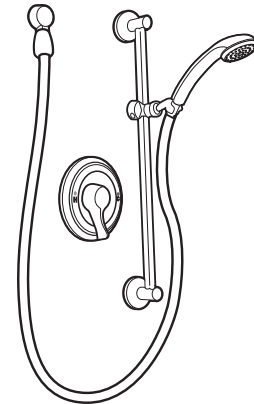
STANDARDS

- Third party certified to ASME A112.18.1/CSA B125.1 and all applicable requirements referenced therein including ASSE 1016

- **ADA**  for lever handle

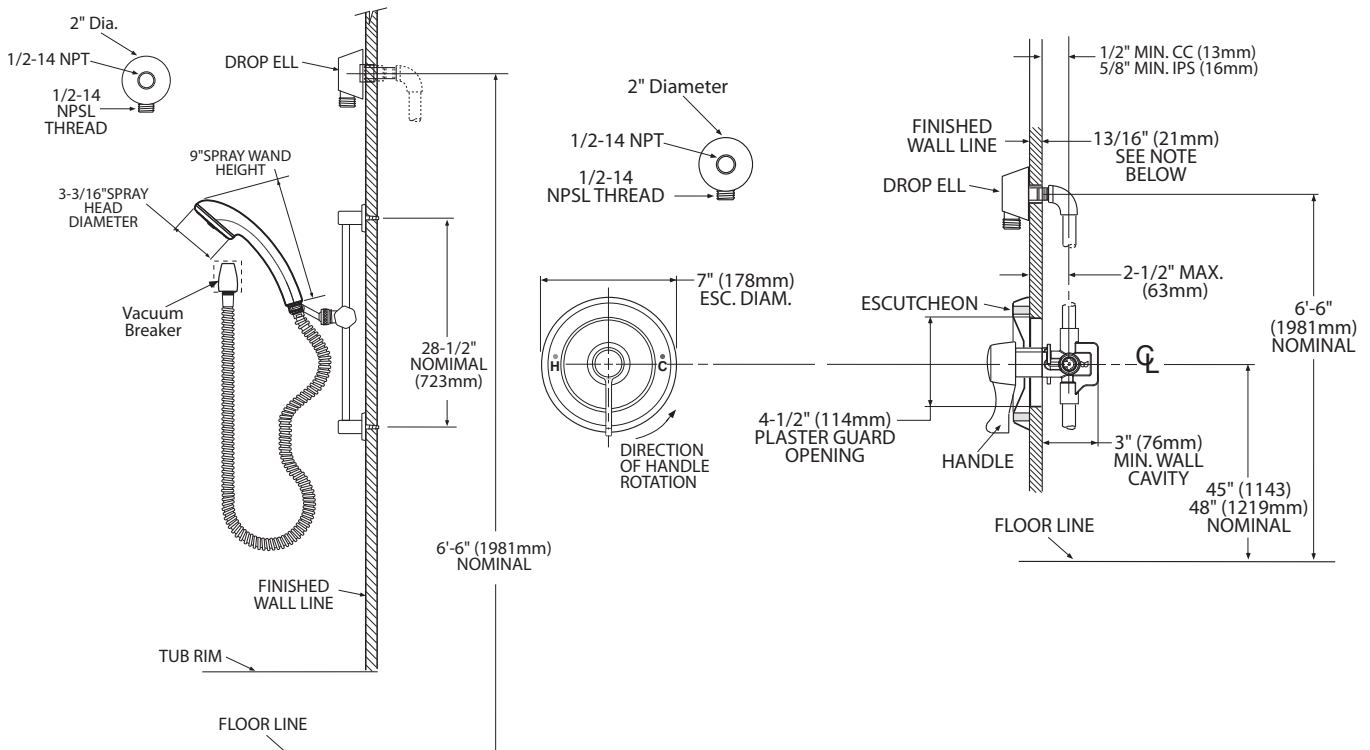
WARRANTY

- Warranted for 5 years against material or manufacturing defects



Single-Handle Pressure Balancing Shower Valve With Hand-Held Shower System

Model: 8346



CRITICAL DIMENSIONS

(DO NOT SCALE)