

## DESCRIPTION

- Chrome plated metal construction
- Pressure balancing cycle valve design with 1/4 turn stops
- 3 function transfer valve
- 1/2" CC connections
- Shower arm has 1/2" IPS male thread
- Contains: showerhead, hand-held shower, 69" metal hose, 30" slide bar, drop ell, vacuum breaker and mounting hardware
- **Slide bar is NOT DESIGNED TO BE A GRAB BAR**
- Supplied with vandal resistant screws

## OPERATION

- Temperature and transfer valve both have ADA compliant lever style handles
- Handle operates counterclockwise through a 270° arc with off at 6 o'clock, and maximum hot at the 9 o'clock position.
- Shut off in clockwise direction
- Adjustable temperature limit stop
- Pressure balancing mechanism maintains selected discharge temperature to ± 2°
- Transfer valve operates 3 distinct functions
- Single function spray pattern

## FLOW

- 2.5 gpm (9.5L/min) MAX. at 80 psi hand-held shower and stationary shower head

## CARTRIDGE

- 1222 cartridge design in temperature control valve
- Accommodates back-to-back installations
- Ceramic disc cartridge in transfer valve
- Non metallic/nonferrous and stainless steel materials

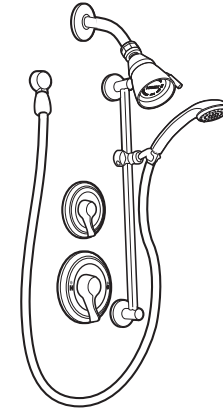
## STANDARDS

- Third party certified to ASME A112.18.1/CSA B125.1 and all applicable requirements referenced therein including ASSE 1016

- **ADA**  for lever handle

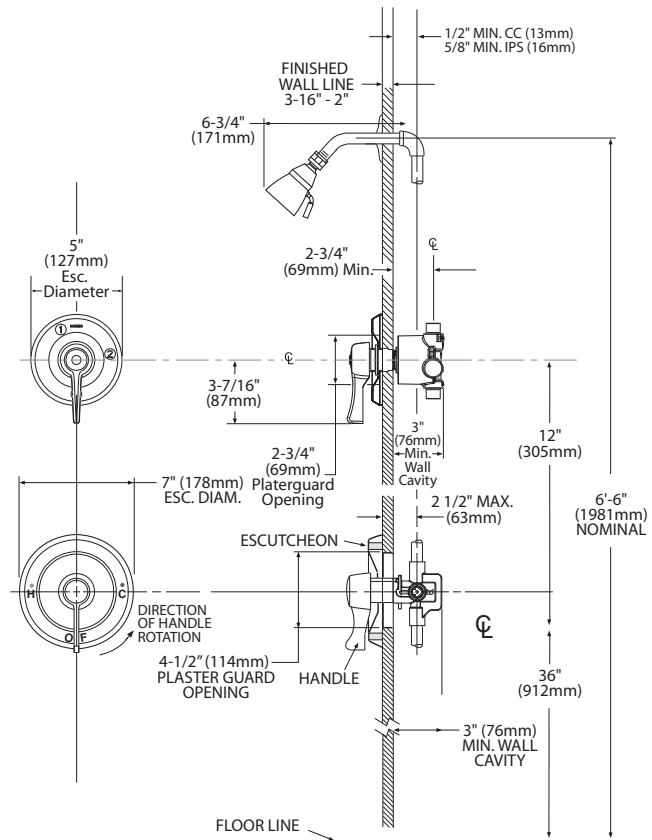
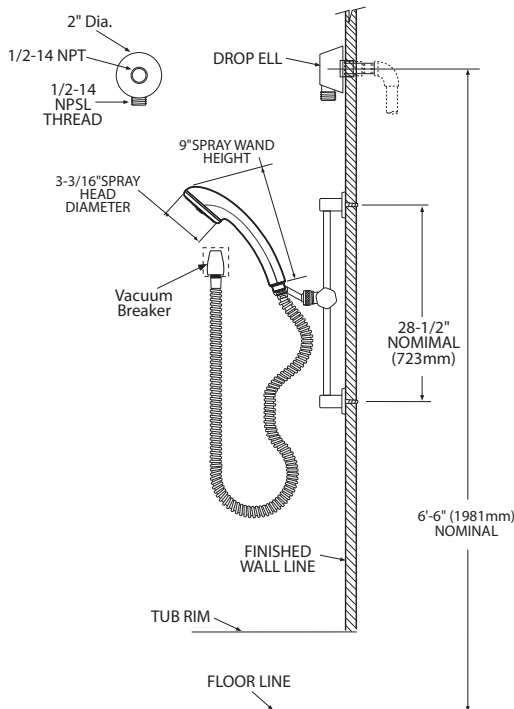
## WARRANTY

- Warranted for 5 years against material or manufacturing defects



**Three-Function  
Commercial Shower System**

**Model: 8342**



**NOTE:** This valve is not intended to be used as a shut-off valve. To prevent the potential of cross flow, check valves must be integral to the supply valve or installed in both hot and cold water supply lines.

## CRITICAL DIMENSIONS

(DO NOT SCALE)