

DESCRIPTION

- Brass Construction
- Pressure balancing valve design with 1/2" PEX or CPEX connections
- All inlets match outlets

OPERATION

- Adjustable temperature limit stop to control maximum hot water temperature
- Pressure balancing mechanism maintains selected discharge temperature to $\pm 3^\circ$

CARTRIDGE

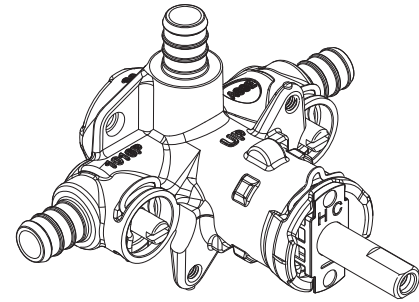
- 1222 cartridge design
- Accommodates back to back installations

STANDARDS

- Third party certified to meet ASME A112.18.1/CSA B125.1, ASSE 1016, and all applicable requirements referenced therein

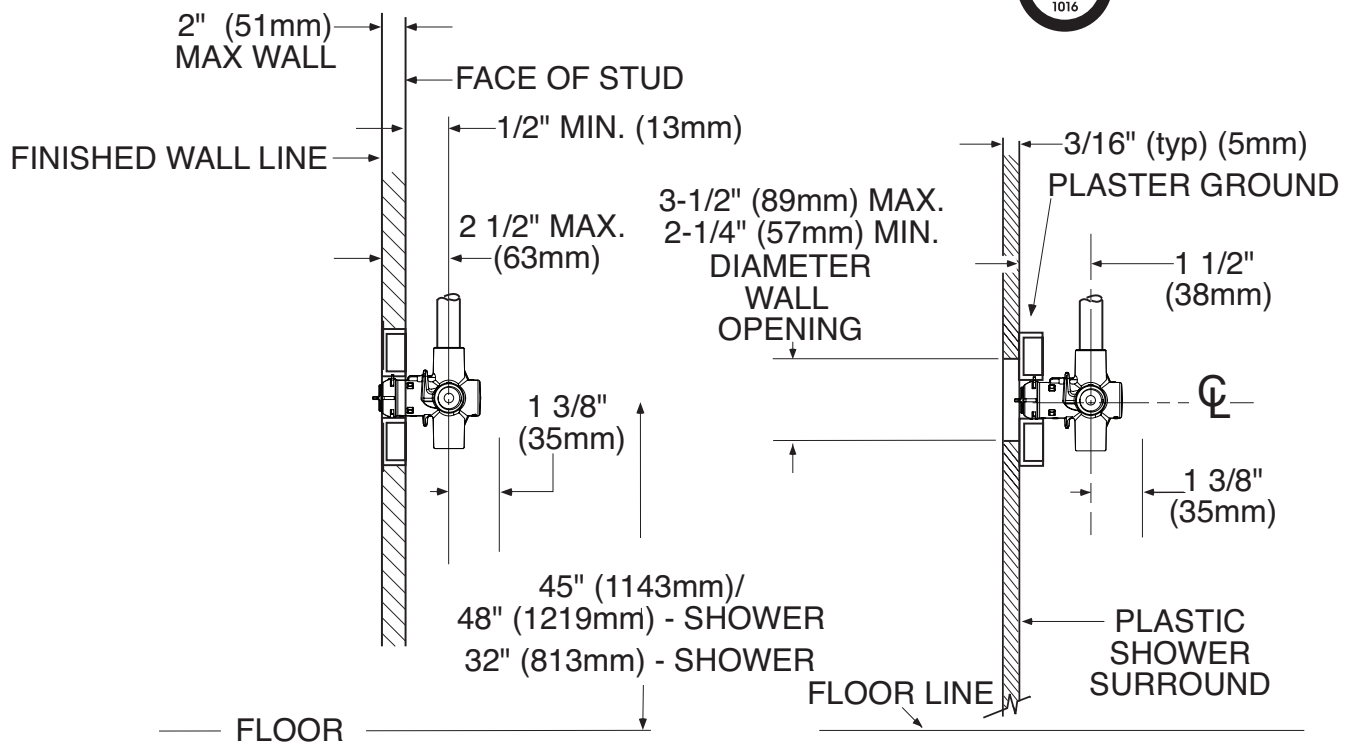
WARRANTY

- Lifetime limited warranty against leaks, drips and finish defects to the original homeowner
 - 10 year limited warranty when used in a multifamily installation
 - 5 year limited warranty when used in a commercial installation
- Visit www.moen.com/support for complete details and limitations



POSI-TEMP® VALVE Pressure-Balancing Valve

Models:	2326PF / FP62326PF (bulk)	3 Port Posi PEX with stops
	2328PF / FP62328PF (bulk)	3 Port Posi CPEX with stops
	FP62325PF (bulk)	3 Port Posi PEX blk pk
	FP62327PF (bulk)	3 Port Posi CPEX blk pk



FOR MORE INFORMATION CALL: 1-800-BUY-MOEN

www.moen.com