



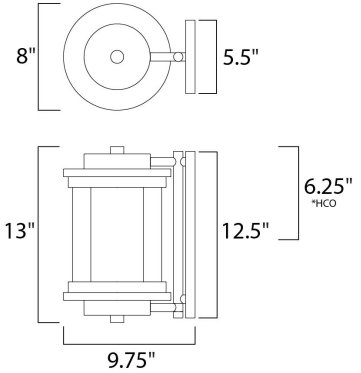
Lighting Your Life Since 1970

Product Specifications - 55864CLFTAR

Job Name:	Job Type:
Quantity:	Comments:



**55864CLFTAR**  
Lighthouse LED 1-Light Medium  
Outdoor Wall



\*height from center of outlet to the top of the fixture

**Finish**  
Anthracite

**Glass/Shade**  
Clear/Frosted

**Product Category**  
Outdoor Wall Mount

**Lamping**

Number of Bulbs	1
Light Type	LED
Bulb Type	LED
Max Bulb Wattage	7
Max Fixture Wattage	
Rated Life	
Rated Lumens	±455
Color Temp	
Bulb(s)	Included
Light Up/Down	N/A
Beam Spread	N/A
CRI	N/A
Photo Cell Included	N/A
Ballast/Driver/Transformer	No
Dimmable	N/A

**Measurements**

Width	8.00"
Height	13.00"
Length	N/A
Extension	10"
Back Plate Width	5.50"
Back Plate Height	12.50"
HCO	6.25"
Min Overall Height	0.00"
Max Overall Height	N/A
Hanging Weight	7.80 lbs
Height Adjustable	N/A
Slope	N/A
Chain Length	N/A
Wire Length	N/A
Canopy Width	N/A
Canopy Height	N/A
Canopy Length	N/A

**Shipping**

Carton Weight	9.30 lbs
Carton Width	13"
Carton Height	12"
Carton Length	20"
Carton Cubic Feet	1.87
Master Pack	1
Master Pack Weight	N/A
Master Pack Width	N/A
Master Pack Height	N/A
Master Pack Length	N/A
Master Cubic Feet	N/A
UPS Shippable	Yes

**Certification**

Safety Rating	Wet
Energy Star	No
CA Title 24	Yes
CA Title 20	No
ADA	No
Dark Sky	N/A

**Other**

UPC Code	783209120242
Shades Included	N/A
Crystals Included	N/A
Diffuser Included	N/A
Conversion Kit	N/A
Material	N/A

**Equivalents**

Incandescent Watts	N/A
Fluorescent Watts	N/A

Maxim Lighting International and all designs, logos and images © 2015 Maxim Lighting International. All Rights Reserved. Maxim Lighting International reserves the right, at any time, to make changes in the design and/or construction of the product including the discontinuation of product without prior notice. Color may vary from what is pictured above due to limitations inherent to photographic processes.

Always consult a qualified, licensed electrician before installation of any product weighing 35 pounds or more. We recommend that a qualified, licensed electrician do the installation. Always install to a mechanically sound structure.