



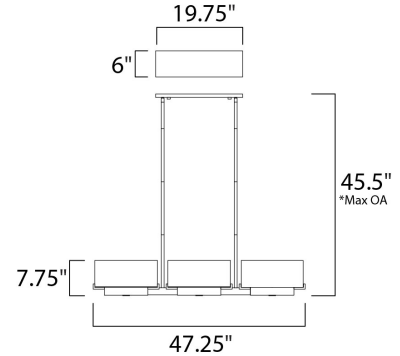
Lighting Your Life Since 1970

Product Specifications - 43664LNDBZ

Job Name:	Job Type:
Quantity:	Comments:



**43664LNDBZ**  
Esquire 8-Light Pendant



\*max overall height

**Finish**

Dark Bronze

**Glass/Shade**

**Product Category**

Linear Pendant

**Lamping**

Number of Bulbs	8
Light Type	LED
Bulb Type	GU24
Max Bulb Wattage	9
Max Fixture Wattage	
Rated Life	
Rated Lumens	±5,740
Color Temp	±3,000 K
Bulb(s)	Included
Light Up/Down	N/A
Beam Spread	N/A
CRI	90+
Photo Cell Included	N/A
Ballast/Driver/Transformer	Yes
Dimmable	Standard

**Measurements**

Width	13.75"
Height	7.75"
Length	47.25"
Extension	N/A
Back Plate Width	N/A
Back Plate Height	N/A
HCO	N/A
Min Overall Height	15.50"
Max Overall Height	45.50"
Hanging Weight	26.62 lbs
Height Adjustable	Yes
Slope	N/A
Chain Length	N/A
Wire Length	120"
Canopy Width	6.00"
Canopy Height	0.75"
Canopy Length	19.75"

**Shipping**

Carton Weight	35.64 lbs
Carton Width	18"
Carton Height	10"
Carton Length	55"
Carton Cubic Feet	5.52
Master Pack	1
Master Pack Weight	N/A
Master Pack Width	N/A
Master Pack Height	N/A
Master Pack Length	N/A
Master Cubic Feet	N/A
UPS Shippable	Yes

**Certification**

Safety Rating	Dry
Energy Star	No
CA Title 24	No
CA Title 20	No
ADA	No
Dark Sky	N/A

**Other**

UPC Code	783209124981
Shades Included	N/A
Crystals Included	N/A
Diffuser Included	N/A
Conversion Kit	N/A
Material	Steel+Cloth

**Equivalents**

Incandescent Watts	N/A
Fluorescent Watts	N/A

Maxim Lighting International and all designs, logos and images © 2016 Maxim Lighting International. All Rights Reserved. Maxim Lighting International reserves the right, at any time, to make changes in the design and/or construction of the product including the discontinuation of product without prior notice. Color may vary from what is pictured above due to limitations inherent to photographic processes.

Always consult a qualified, licensed electrician before installation of any product weighing 35 pounds or more. We recommend that a qualified, licensed electrician do the installation. Always install to a mechanically sound structure.