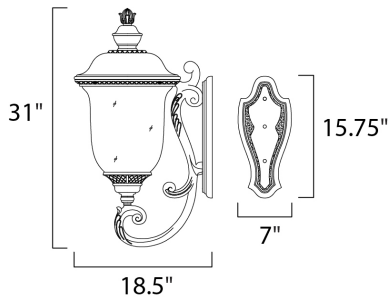




PRODUCT DESCRIPTION

Maxim Lighting's Carriage House VX Collection is made with Vivex, a material twice the strength of resin, is non-corrosive, UV resistant and backed with a 5-Year Limited Warranty. Carriage House VX features our Oriental Bronze finish and Water Glass.



MEASUREMENTS

DIMENSION : 14" W x 31" H x 18.5" Ext
 BACK PLATE : 7" W x 15.75" H x 15.5" HCO
 HANGING WEIGHT : 12.79 lb

LAMPING

INPUT VOLTAGE : 120V
 LUMENS : 0 Rated
 BULB : 3 x 40W Incandescent E12 Candelabra , 120W Total
 BULB INCLUDED : (Not Included)
 DIMMABLE : Yes

FINISHES OPTION

 Oriental Bronze

GLASS

Water Glass WG

MATERIAL

Vivex Resin Composite, Glass

RATINGS

cETLus
 Wet Location



ADDITIONAL

RATED LIFE 1500 Hours
 OPERATING TEMPERATURE:
 -20°C (-4°F), 40°C (104°F)

Always consult a qualified electrician before installing any lighting product.



WESTERN DISTRIBUTION CENTER (HEADQUARTER)
 253 NORTH VINELAND AVE | CITY OF INDUSTRY, CA 91746

EASTERN DISTRIBUTION CENTER
 4200 SHIRLEY DR. | ATLANTA, GA 30336

P. 626.956.4200 | F. 626.956.4225 | maximlighting.com