



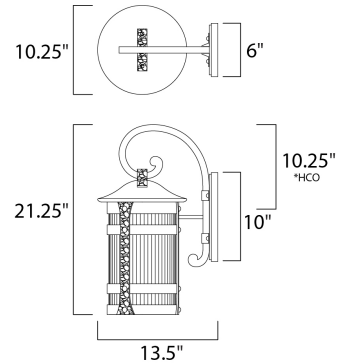
Lighting Your Life Since 1970

Product Specifications - 3125CONAR

Job Name:	Job Type:
Quantity:	Comments:



3125CONAR
Casa Grande 1-Light Outdoor Wall



*height from center of outlet to the top of the fixture

Finish
Anthracite

Glass/Shade
Constellation

Product Category
Outdoor Wall Mount

Lamping

Number of Bulbs	1
Light Type	Incandescent
Bulb Type	MB
Max Bulb Wattage	60
Max Fixture Wattage	60
Rated Life	
Rated Lumens	±7,000
Color Temp	
Bulb(s)	Not Included
Light Up/Down	N/A
Beam Spread	N/A
CRI	N/A
Photo Cell Included	N/A
Ballast/Driver/Transformer	No
Dimmable	N/A

Measurements

Width	10.00"
Height	21.25"
Length	N/A
Extension	14"
Back Plate Width	6.00"
Back Plate Height	10.00"
HCO	10.25"
Min Overall Height	0.00"
Max Overall Height	N/A
Hanging Weight	10.12 lbs
Height Adjustable	N/A
Slope	N/A
Chain Length	N/A
Wire Length	N/A
Canopy Width	N/A
Canopy Height	N/A
Canopy Length	N/A

Shipping

Carton Weight	12.54 lbs
Carton Width	17"
Carton Height	13"
Carton Length	33"
Carton Cubic Feet	4.29
Master Pack	1
Master Pack Weight	N/A
Master Pack Width	N/A
Master Pack Height	N/A
Master Pack Length	N/A
Master Cubic Feet	N/A
UPS Shippable	Yes

Certification

Safety Rating	Wet
Energy Star	No
CA Title 24	No
CA Title 20	No
ADA	No
Dark Sky	N/A

Other

UPC Code	783209130784
Shades Included	N/A
Crystals Included	N/A
Diffuser Included	N/A
Conversion Kit	N/A
Material	Die Cast Aluminum+Glass

Equivalents

Incandescent Watts	N/A
Fluorescent Watts	N/A

Maxim Lighting International and all designs, logos and images © 2016 Maxim Lighting International. All Rights Reserved. Maxim Lighting International reserves the right, at any time, to make changes in the design and/or construction of the product including the discontinuation of product without prior notice. Color may vary from what is pictured above due to limitations inherent to photographic processes.

Always consult a qualified, licensed electrician before installation of any product weighing 35 pounds or more. We recommend that a qualified, licensed electrician do the installation. Always install to a mechanically sound structure.