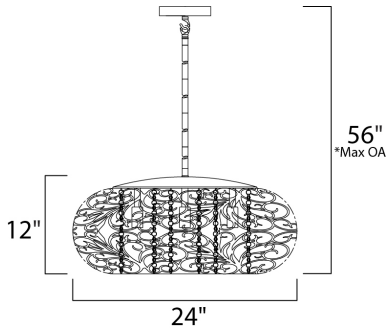




PRODUCT DESCRIPTION

The Arabesque collection's intricate patterns are formed in metal and finished in Golden Silver. Strands of crystal beads add sparkle as they shimmer through the Xenon lamps. Unique oval-shaped pendants add a touch of class to any room.



*max overall height


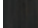
MEASUREMENTS

DIMENSION : 24" L x 24" W x 12" H
 MAX OAH : 56" OAH
 HANGING WEIGHT : 17.2 lb

LAMPING

INPUT VOLTAGE : 120V
 LUMENS : 6,750 Rated
 BULB : 9 x 40W Xenon G9 , 360W Total
 BULB INCLUDED : (Included)
 DIMMABLE : Yes
 COLOR_TEMP : 2900K

FINISHES OPTION

-  Golden Silver
-  Oil Rubbed Bronze

GLASS

Beveled Crystal BC

MATERIAL

Steel, Crystal

RATINGS

cETLus
 Dry Location



ADDITIONAL

SLOPE: 120
 RATED LIFE 2000 Hours
 OPERATING TEMPERATURE:
 -20°C (-4°F), 40°C (104°F)

Always consult a qualified electrician before installing any lighting product.



WESTERN DISTRIBUTION CENTER (HEADQUARTER)
 253 NORTH VINELAND AVE | CITY OF INDUSTRY, CA 91746

EASTERN DISTRIBUTION CENTER
 4200 SHIRLEY DR. | ATLANTA, GA 30336

P. 626.956.4200 | F. 626.956.4225 | maximlighting.com