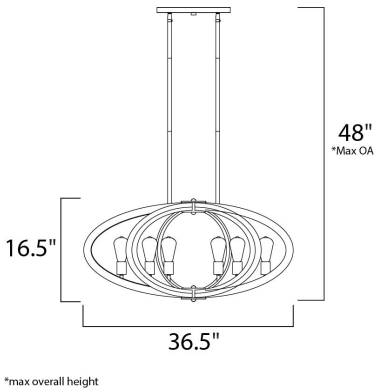




PRODUCT DESCRIPTION

Rings of Ash wood are distressed and then finished in Antique Pecan for that old world feel. Metal accents finished in Anthracite provide a forged iron appearance that complements this rustic design.




MEASUREMENTS

DIMENSION : 36.5" L x 22.25" W x 16.5" H
 MAX OAH : 48" OAH
 HANGING WEIGHT : 22 lb

LAMPING

INPUT VOLTAGE : 120V
 LUMENS : 0 Rated
 BULB : 6 x 60W Incandescent E26 Medium , 360W Total
 BULB INCLUDED : (Included)
 DIMMABLE : Yes

FINISHES OPTION

 Anthracite

MATERIAL

Wood, Steel

RATINGS

cULus
 Dry Location



ADDITIONAL

ADJUSTABLE
 SLOPE: 120
 OPERATING TEMPERATURE:
 -20°C (-4°F), 40°C (104°F)

Always consult a qualified electrician before installing any lighting product.



WESTERN DISTRIBUTION CENTER (HEADQUARTER)
 253 NORTH VINELAND AVE | CITY OF INDUSTRY, CA 91746

EASTERN DISTRIBUTION CENTER
 4200 SHIRLEY DR. | ATLANTA, GA 30336

P. 626.956.4200 | F. 626.956.4225 | maximlighting.com