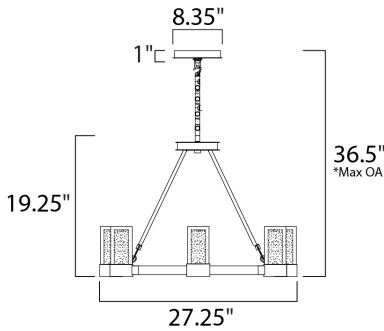




**PRODUCT DESCRIPTION**

Rods of bubble glass are encased inside a Clear glass cylinder, which are supported in a cast Polished Chrome frame. Dual LED modules bring the bubble glass to life, while also providing ample illumination to the surface below.



\*max overall height

**MEASUREMENTS**

DIMENSION : 27.25" W x 18." H  
 MAX OAH : 65." OAH x 28." OAH  
 CANOPY : 8.35" W x 1." H x 8.35" L  
 HANGING WEIGHT : 24. lb

**LAMPING**

INPUT VOLTAGE : 120V  
 LUMENS : 2,016 Rated  
 BULB : 12 x 4.5W (INCLUDED), 54W Total  
 DIMMABLE : Dimmable  
 CRI : 80+ CRI  
 COLOR\_TEMP : 3000K

**FINISHES OPTION**

Polished Chrome PC

**GLASS**

Clear CL

**MATERIAL**

Steel

**RATINGS**

Dry Location  
 Dimmable



**ADDITIONAL**

INSTALL UP/DOWN:  
 SLOPE: 120  
 OPERATING TEMPERATURE:  
 -20°C (-4°F), 40°C (104°F)

Always consult a qualified electrician before installing any lighting product.



**WESTERN DISTRIBUTION CENTER (HEADQUARTER)**  
 253 NORTH VINELAND AVE | CITY OF INDUSTRY, CA 91746  
**EASTERN DISTRIBUTION CENTER**  
 4200 SHIRLEY DR. | ATLANTA, GA 30336  
 P. 626.956.4200 | F. 626.956.4225 | maximlighting.com