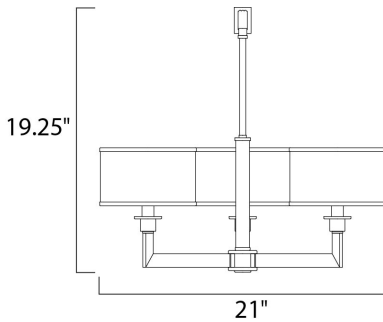




PRODUCT DESCRIPTION

The Nexus collection is the true standard for contemporary lighting. The flat rectangular tube arm forms to a perfect angle and comes finished in choice of Satin Nickel or Oil Rubbed Bronze. The White fabric drum shade is trimmed with metal rings in matching finish for a clean, tailored look.



MEASUREMENTS

DIMENSION : 21" L x 21" W x 19.25" H
 MAX OAH : 55.25" OAH
 CANOPY : 5.12" W x 1.13" H
 HANGING WEIGHT : 5.95 lb

LAMPING

INPUT VOLTAGE : 120V
 LUMENS : 0 Rated
 BULB : 3 x 60W Incandescent E12 Candelabra , 180W Total
 BULB INCLUDED : (Not Included)
 DIMMABLE : Yes

FINISHES OPTION

-  Oil Rubbed Bronze
-  Satin Nickel

MATERIAL

Steel, Fabric

RATINGS

cETLus
 Dry Location



ADDITIONAL

RATED LIFE 1500 Hours
 OPERATING TEMPERATURE:
 -20°C (-4°F), 40°C (104°F)

Always consult a qualified electrician before installing any lighting product.



WESTERN DISTRIBUTION CENTER (HEADQUARTER)
 253 NORTH VINELAND AVE | CITY OF INDUSTRY, CA 91746

EASTERN DISTRIBUTION CENTER
 4200 SHIRLEY DR. | ATLANTA, GA 30336

P. 626.956.4200 | F. 626.956.4225 | maximlighting.com