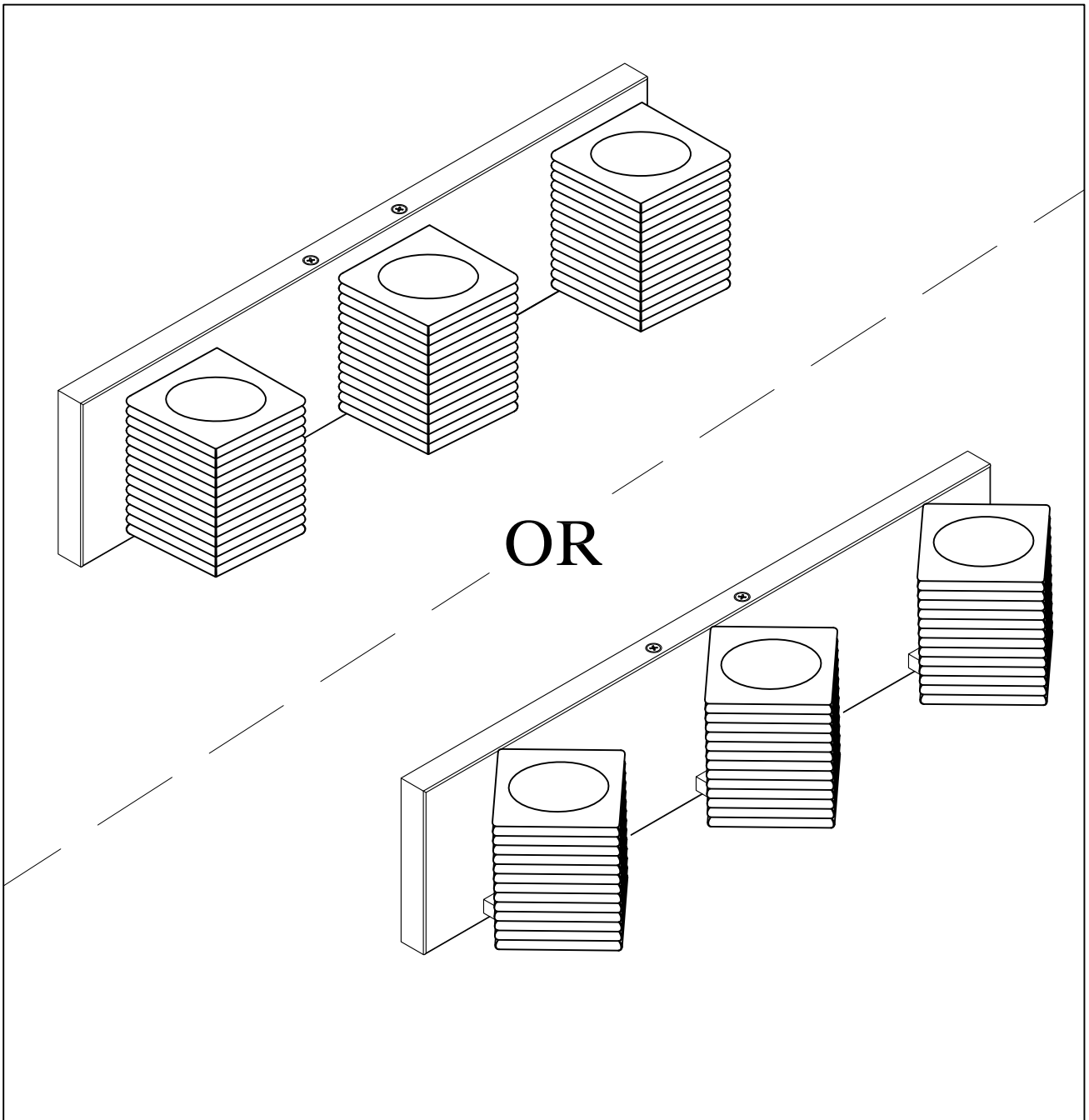




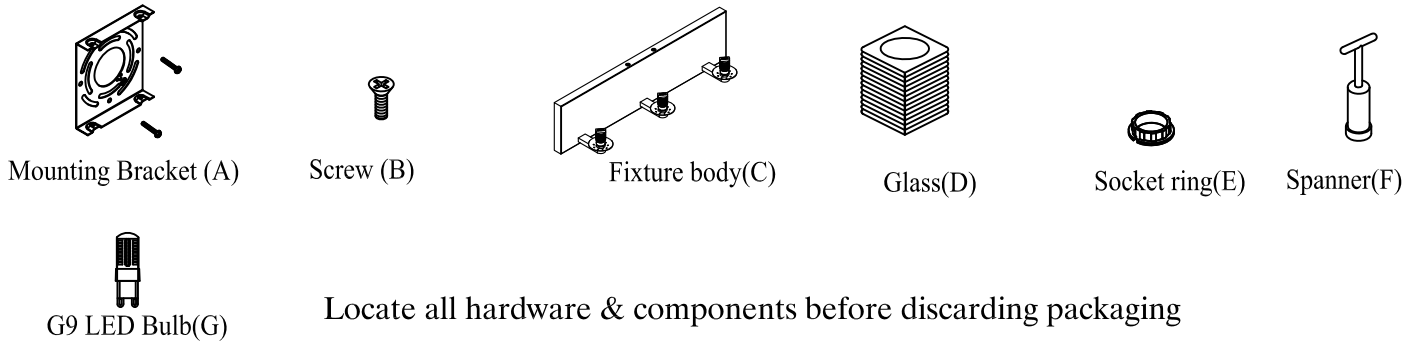
PRODUCT NAME: Groove
ITEM NUMBER: 9073CRPC

Please consult your electrician for hanging fixture and wiring.

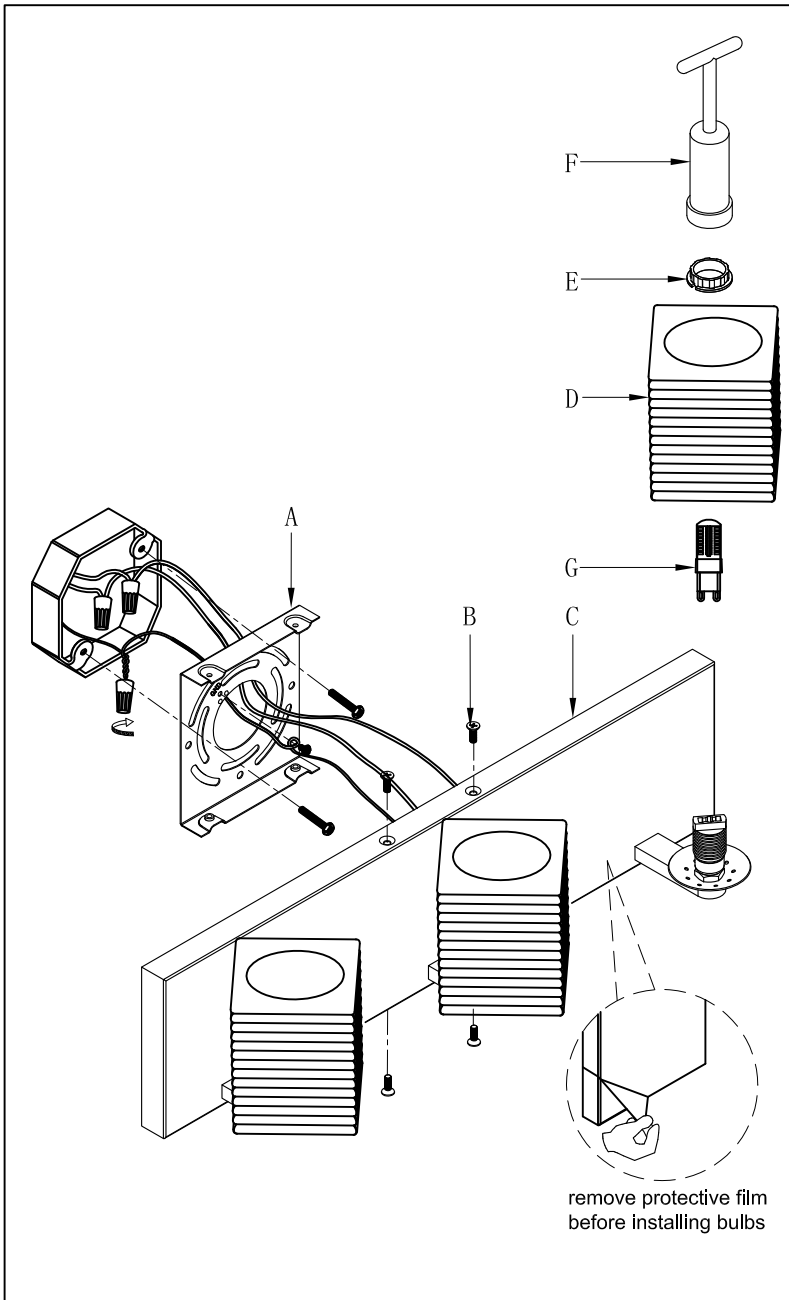


Bulbs (Included): 3 x 4W G9 LED

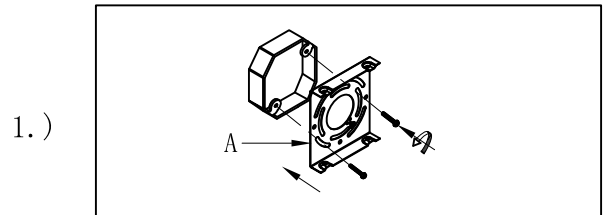
IMPORTANT: Turn off the power at the main fuse or circuit breaker box before starting installation



Locate all hardware & components before discarding packaging

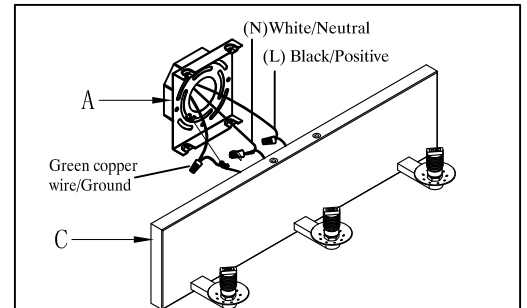


Cleaning & Care:
Clean with soft cloth and a mild detergent.
Do not use abrasive cleaner.



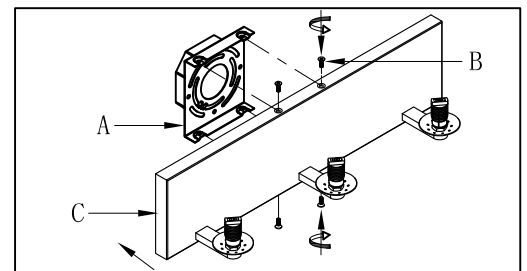
1.)

Step.1: Fasten the mounting bracket(A) onto the outlet box using two outlet box screws.



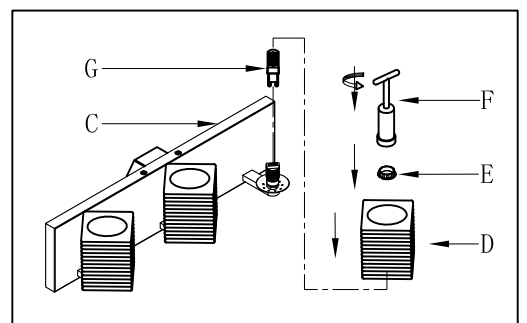
2.)

Step.2: Wire fixture to wires in outlet box. Green copper wire is for ground. And carefully position all wires inside the outlet box.



3.)

Step.3: Place the fixture body(B) against mounting bracket, Align the two holes of the mounting bracket and fixture body, then tighten the screws(C).



4.)

Step.4: Install G9 LED bulb(G) into socket, Position Glass(D) onto the socket of fixture body(C), then secure with socket ring(E) with Glass (D) onto Fixture body(C) by using spanner(F).