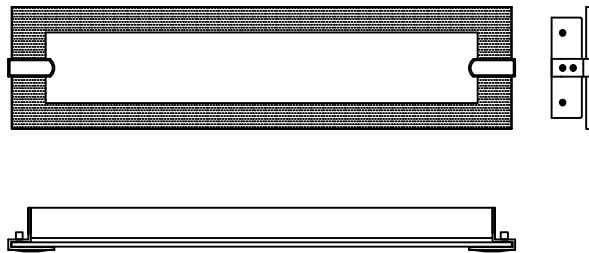




PRODUCT NAME: Trim LED Vanity
ITEM NUMBER: 87622/87624/87626

Please consult your electrician for hanging fixture and wiring.



WARNING:

This fixture is designed to dim with an Electronic Low Voltage dimmer. Dimming levels will vary by dimmer.

Below is a List of Recommended Dimmers:

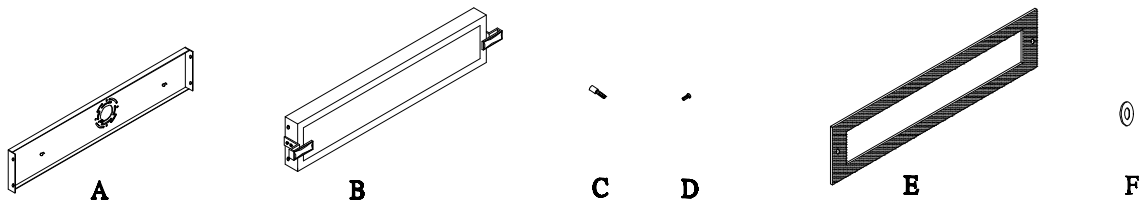
Lutron MACL-153M

Leviton IPL06-10Z

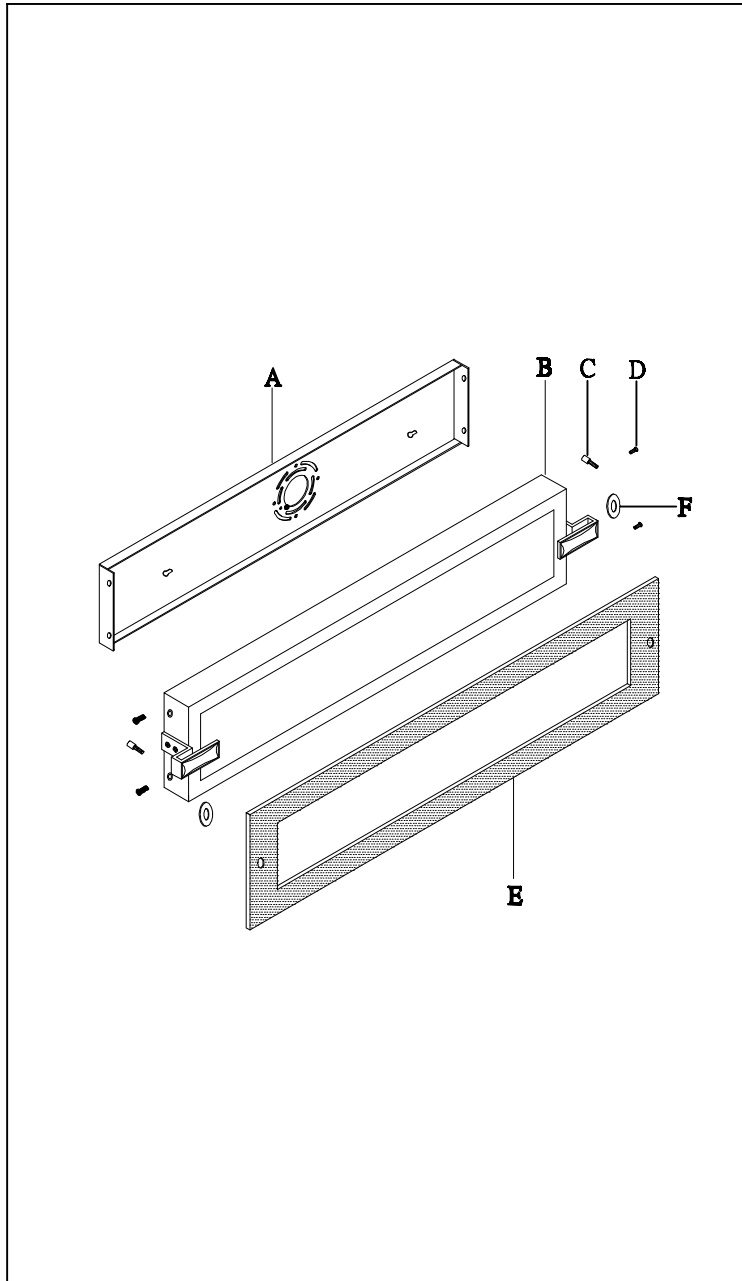
Due to inrush current, wattage should not exceed 150 Watts of product for a 600 Watt dimmer.

LED included

IMPORTANT: Turn off the power at the main fuse or circuit breaker box before starting installation

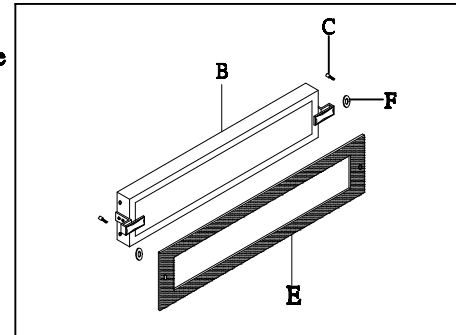


Locate all hardware & components before discarding packaging

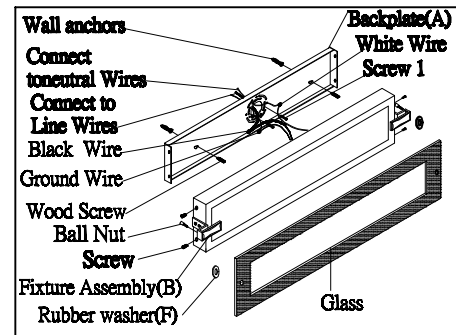


Black Wire

1.)



Step.1: Put the glass(E) into the fixture assembly(B), then secured by Rubber washer(F) and Ball nut(C). By the way, the Rubber washer(F) and Ball nut(C) were packed into the canopy kit



2.)

Step.2: Attach the brackets to fixture assembly (B). Slide glass (E) into brackets and secure using Screw

Cleaning & Care:

Clean with soft cloth and a mild detergent.
Do not use abrasive cleaner.