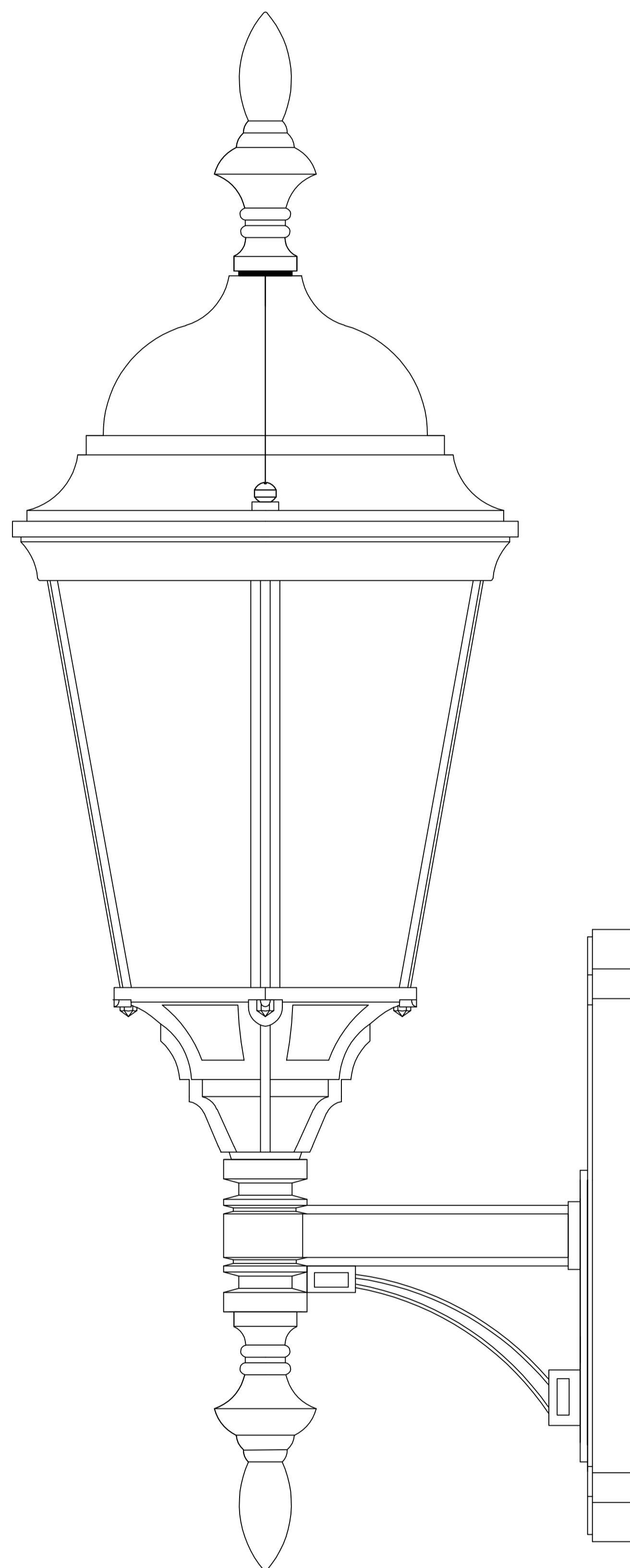




PRODUCT NAME: Westlake
ITEM NUMBER: 65103

Please consult your electrician for hanging fixture and wiring.



To prevent water intrusion, caulk around back-plate where fixture meets the wall using outdoor silicone sealant. Leave a small gap at the bottom to allow moisture to exit.

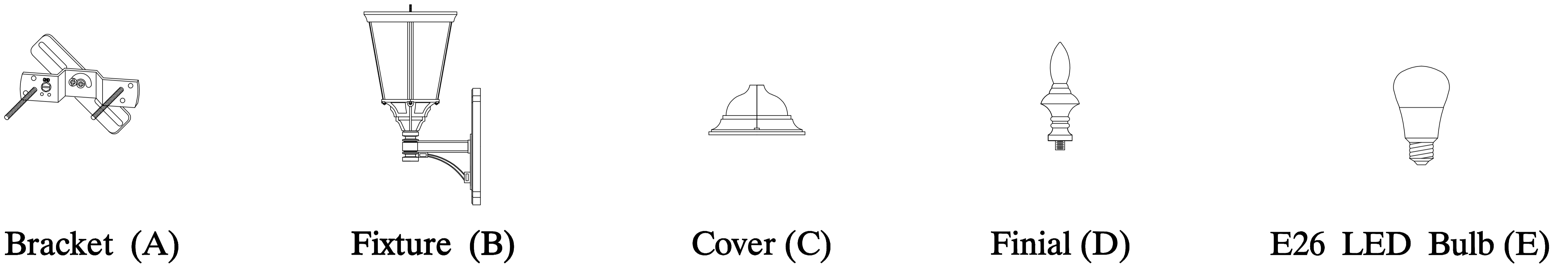
Bulb(included): 1×9W E26 LED

MADE IN CHINA

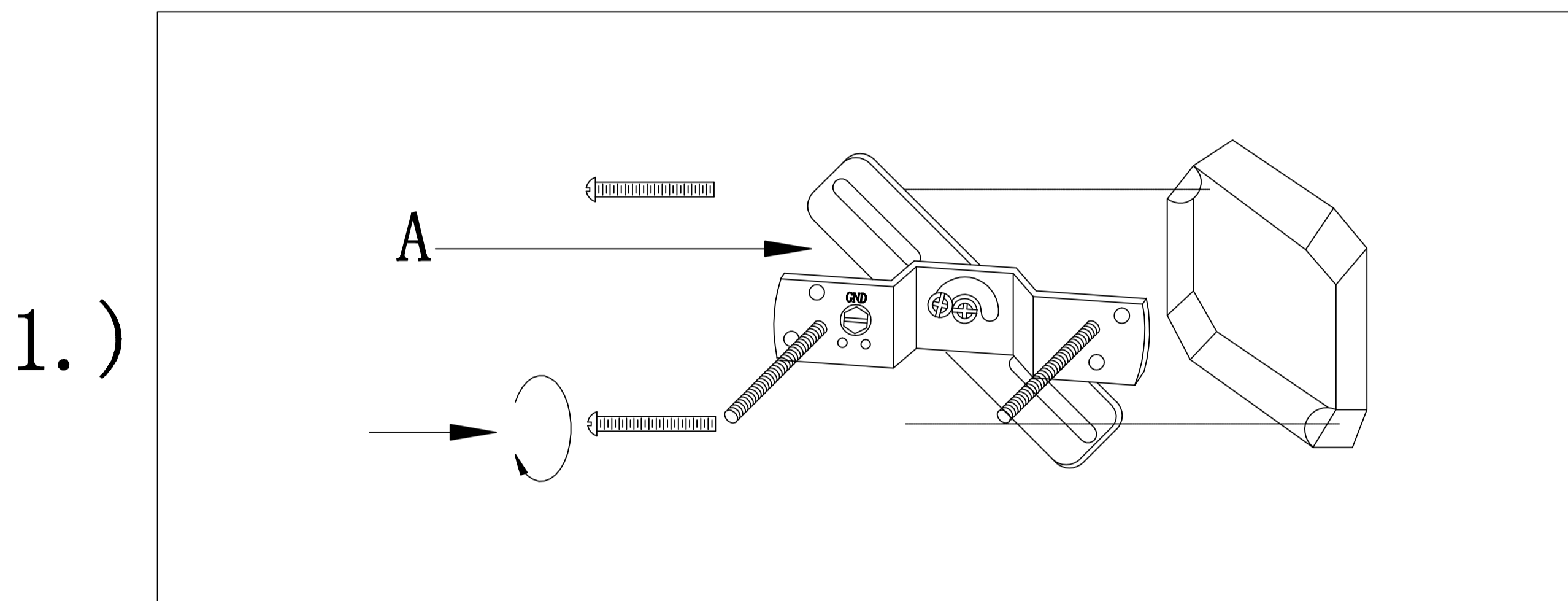


PRODUCT NAME: Westlake
 ITEM NUMBER: 65103

IMPORTANT: Turn off the power at the main fuse or circuit breaker box before starting installation.

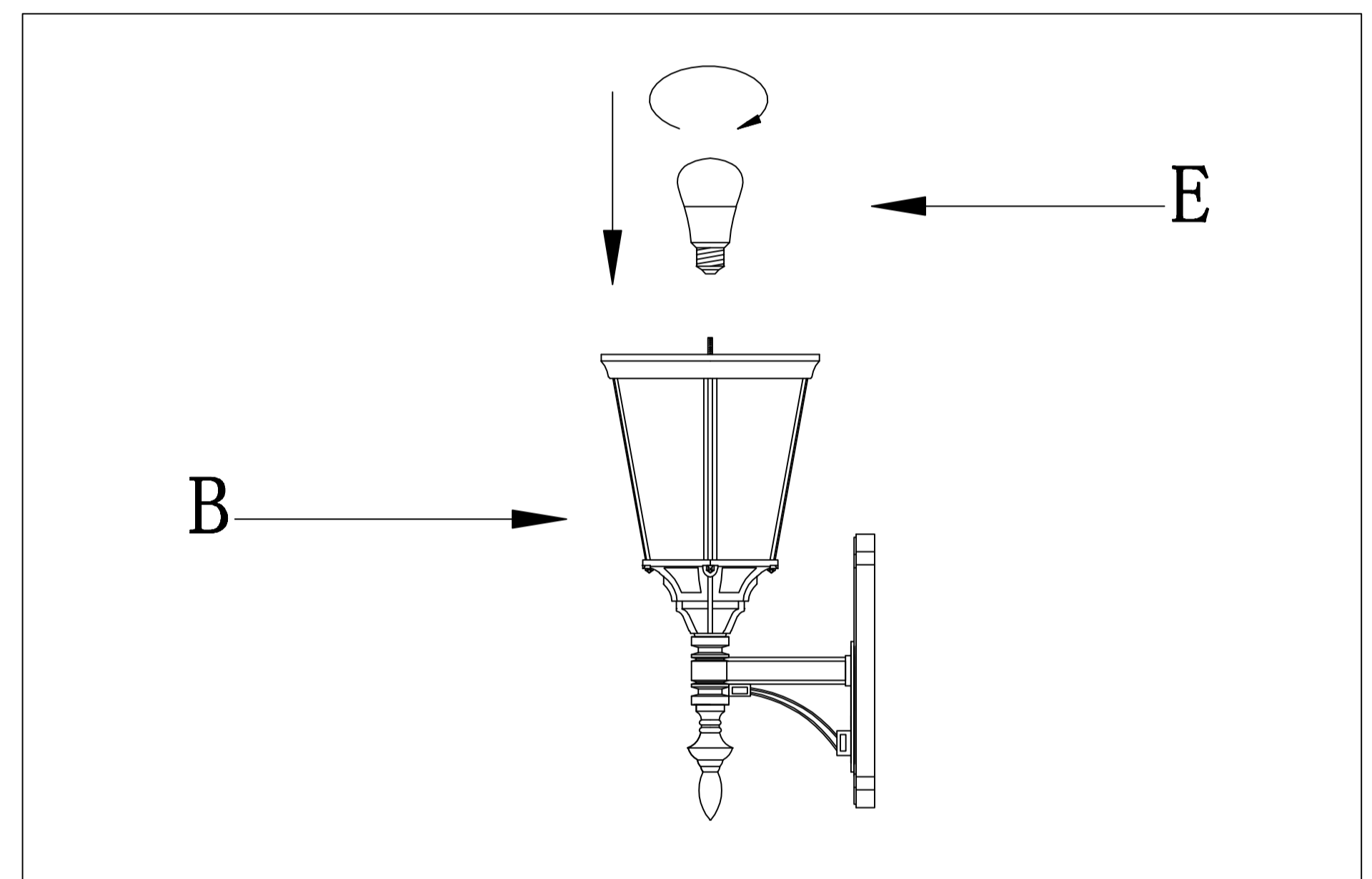


Locate all hardware & components before discarding packaging



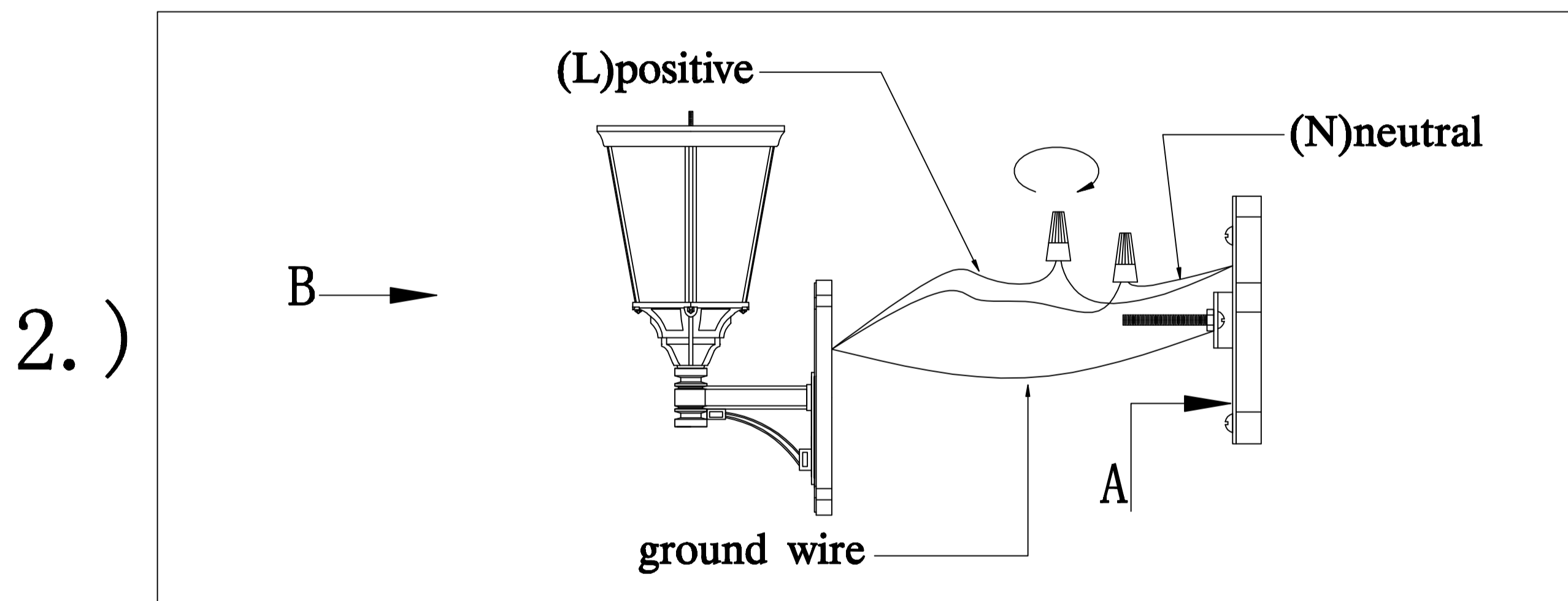
1.)

Step.1: Remove mounting bracket from fixture(B) and install to electrical box. then wire fixture to wires in outlet box. Copper wire is for Ground.



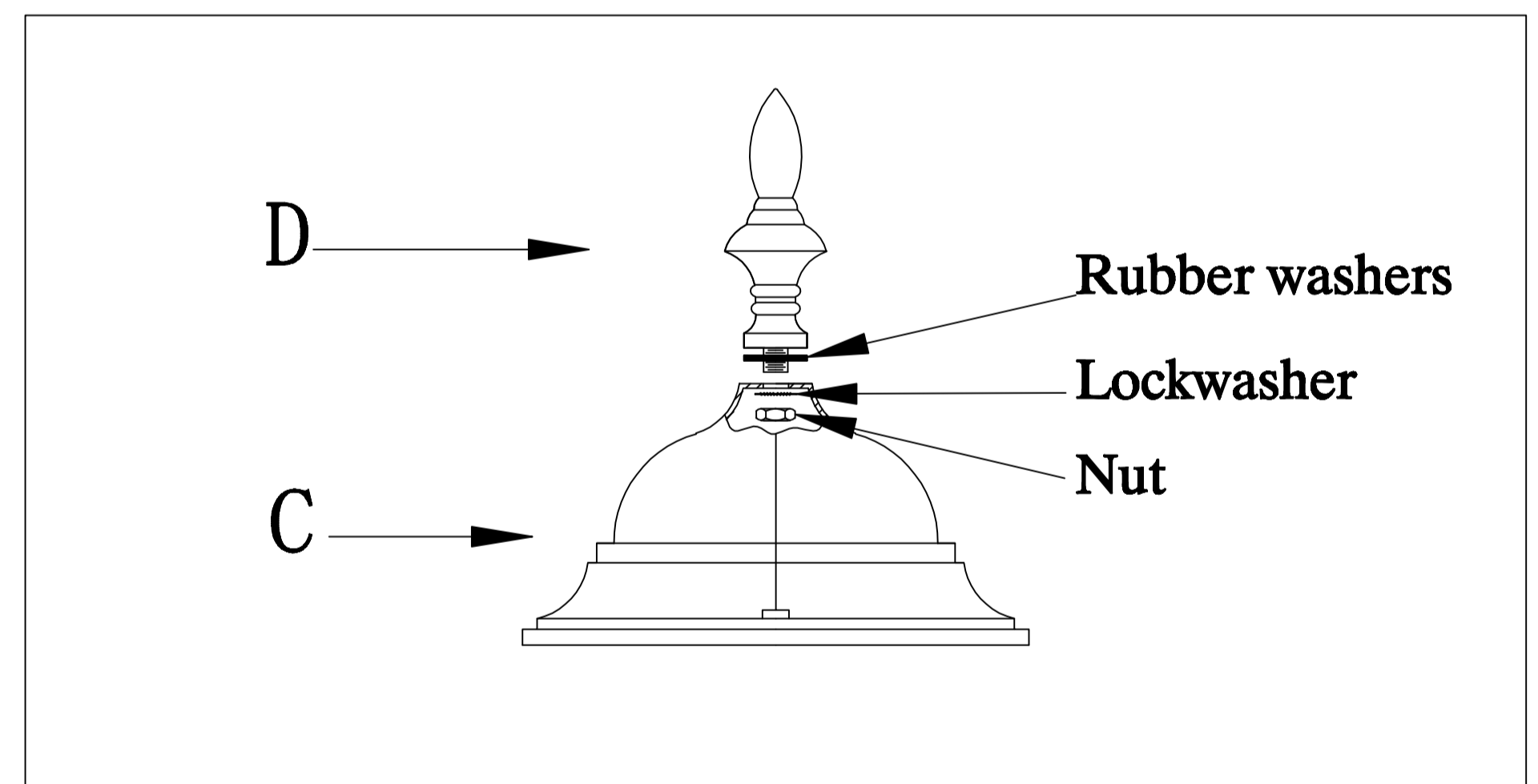
4.)

Step.4: Install E26 LED bulb(E)



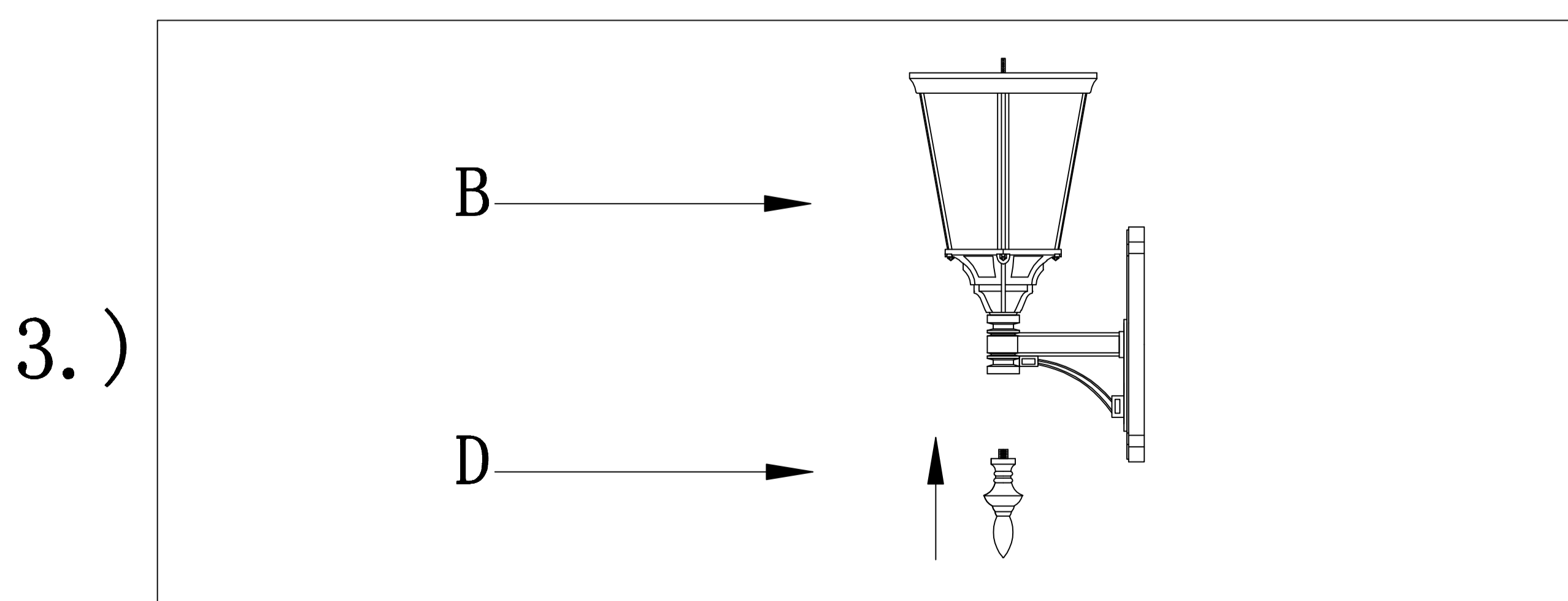
2.)

Step.2: Attach back plate to mounting bracket and tighten ball nuts so fixture meets wall. Caulk fixture where back plate meets the wall with silicone sealant.



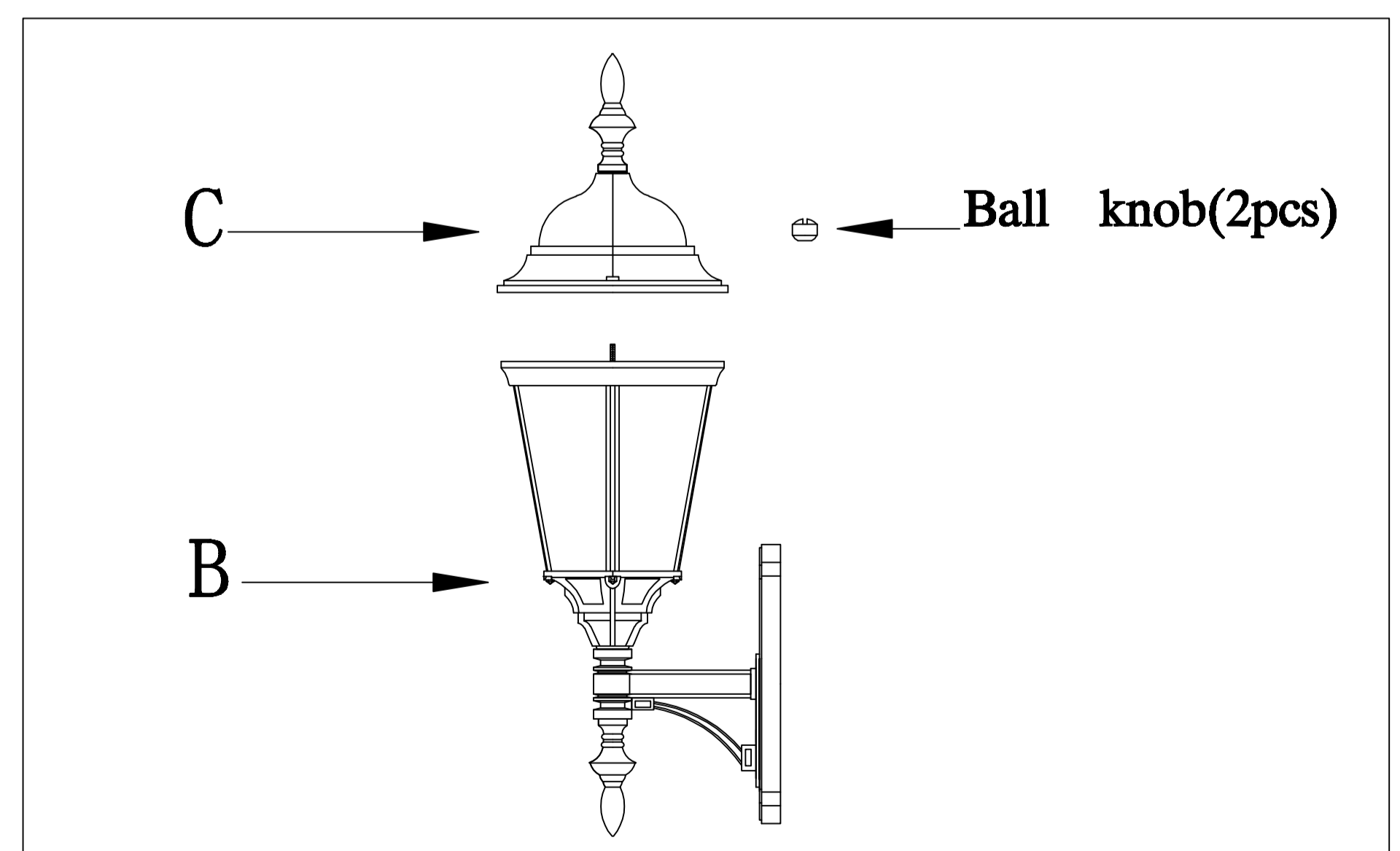
5.)

Step.5: Install the finial(D) into the cover(C),using the nuts



3.)

Step.3: Install the finial(D) into the fixture(B)



6.)

Step.6: Install cover(C) to fixture , using ball knobs .

Cleaning & Care:

Clean with soft cloth and a mild detergent.
 Do not use abrasive cleaner.

MADE IN CHINA