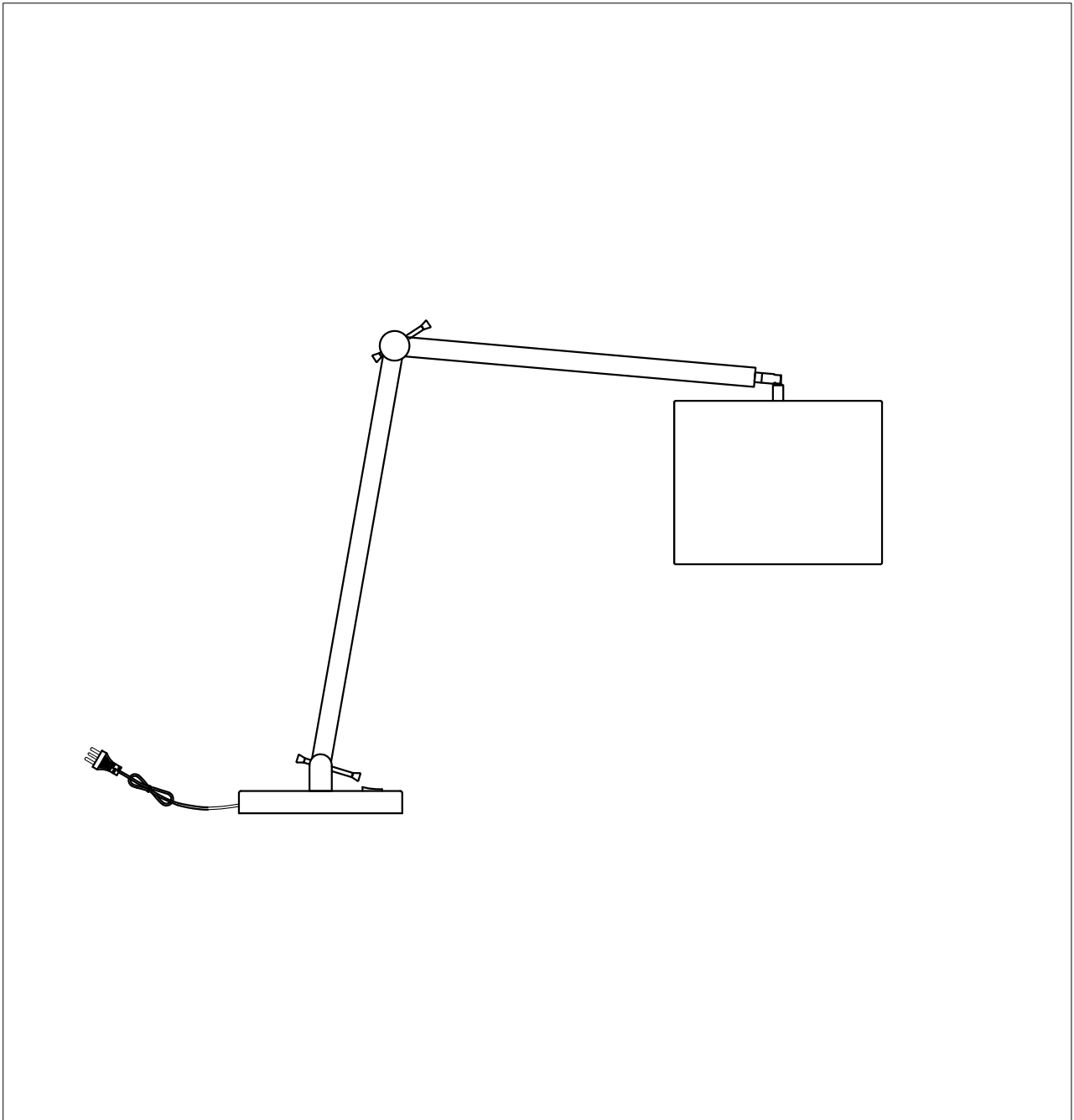




PRODUCT NAME: HOTEL  
ITEM NUMBER: 60138WAPC

Please consult your electrician for hanging fixture and wiring.

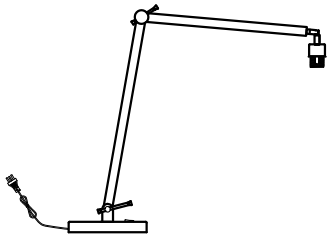


E26 1X16W

PRODUCTS ARE NOT INTENDED  
FOR COMMERCIAL USE.

MADE IN CHINA  
Page 1 of (2)

**IMPORTANT:** Turn off the power at the main fuse or circuit breaker box before starting installation



(A)  
Body



(B)  
Shade

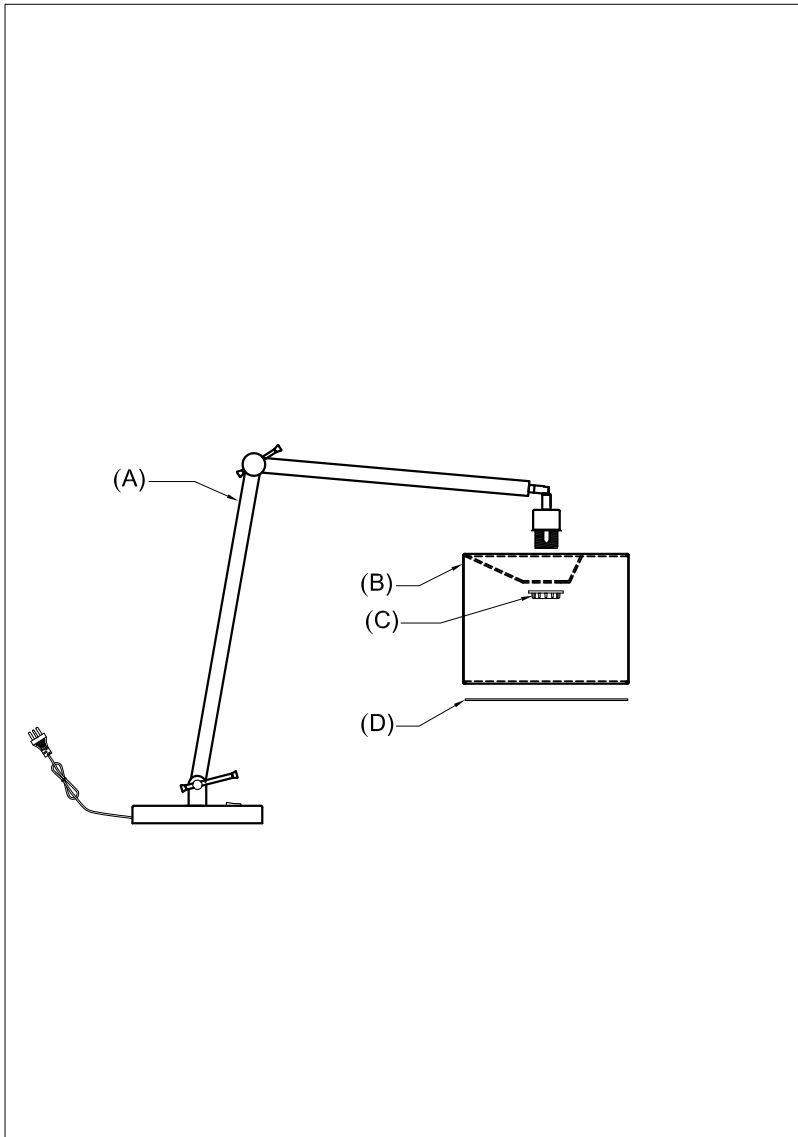


(C)  
Socket ring

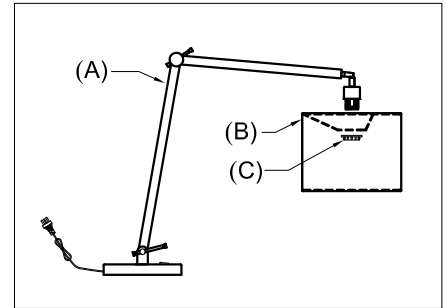


(D)  
Acrylic diffuser

Locate all hardware & components before discarding packaging

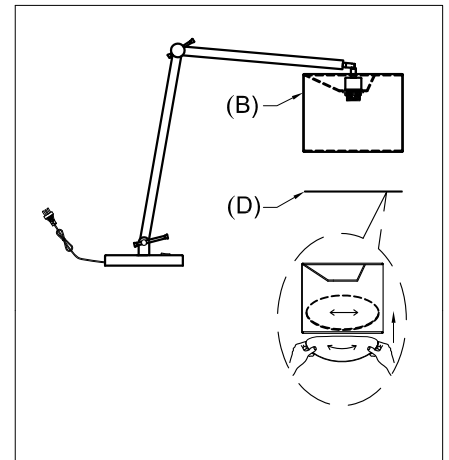


1.)



**Step 1:** Remove the socket ring (C) from fixture (A). Attach shade (B) and secure using socket ring (C).

2.)



**Step 2:** Insert acrylic diffuser (D) through the bottom of the shade.

**Cleaning & Care:**

Clean with soft cloth and a mild detergent.  
Do not use abrasive cleaner.