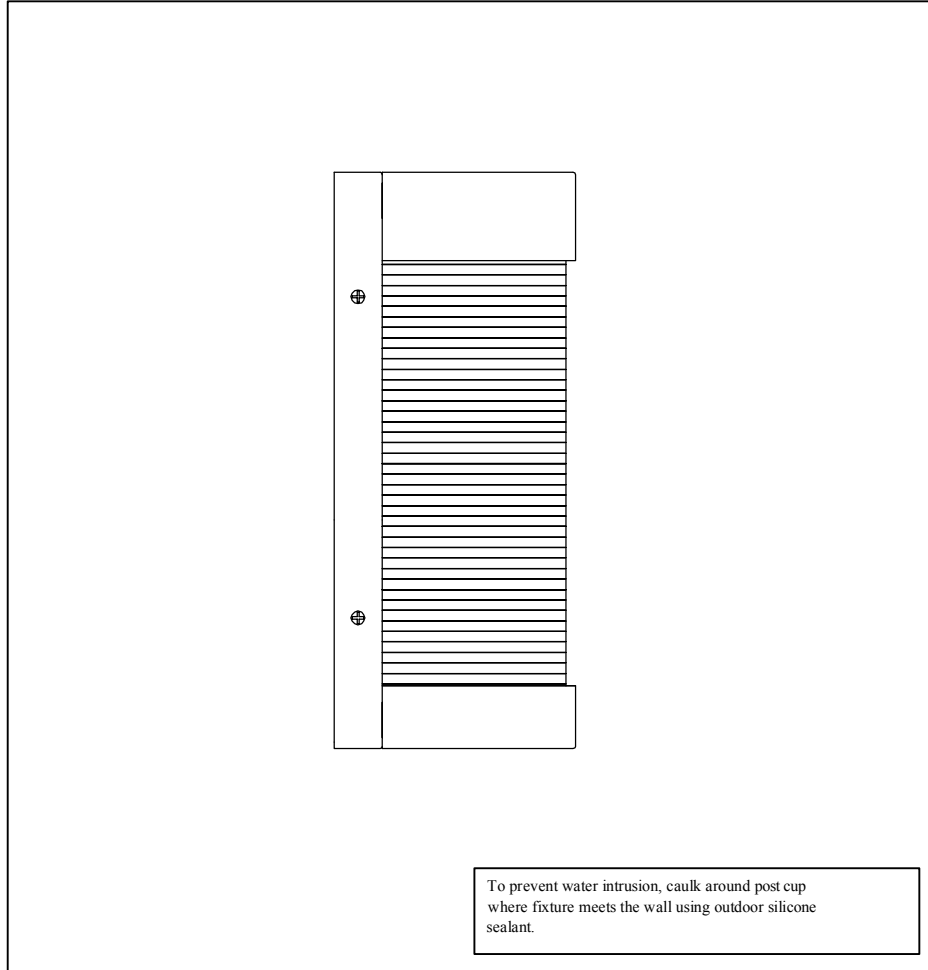


PRODUCT NAME: Stackhouse LED Outdoor Wall Lantern

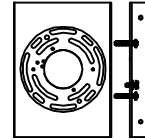
ITEM NUMBER: 55222

Please consult your electrician for hanging fixture and wiring.



8W LED

IMPORTANT: Turn off the power at the main fuse or circuit breaker box before starting installation

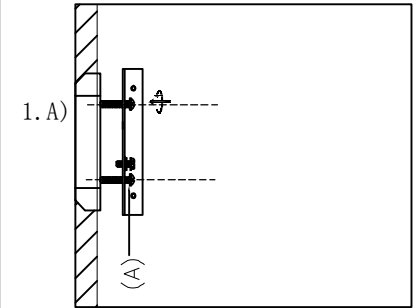
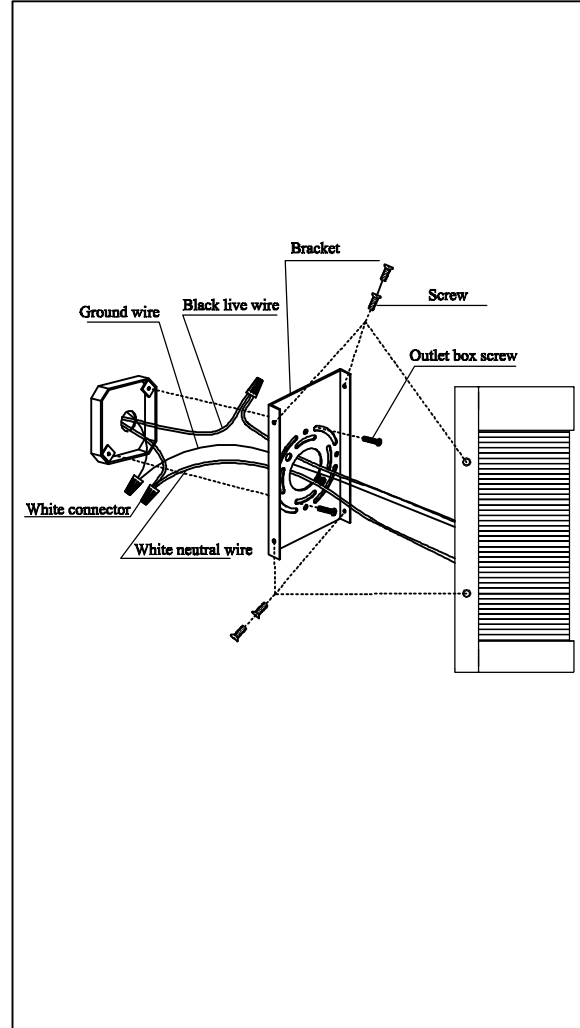


Bracket (A)

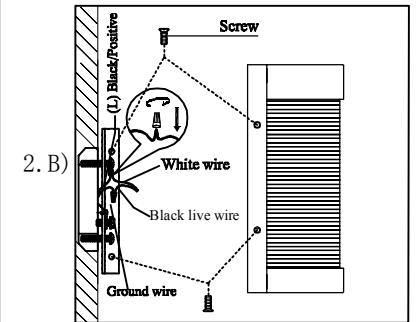


Integral lamp holder (B)

Locate all hardware & components before discarding packing



Step.1 Remove mounting bracket from fixture and install to electrical box.



Step.2 Wire fixture to wires in outlet box. Black wire is positive, white is neutral, bare wire is ground.

Step.3 Install fixture to mounting bracket using flat head screw .

Cleaning & Care:

Clean with soft cloth and a mild detergent.
Do not use abrasive cleaner.