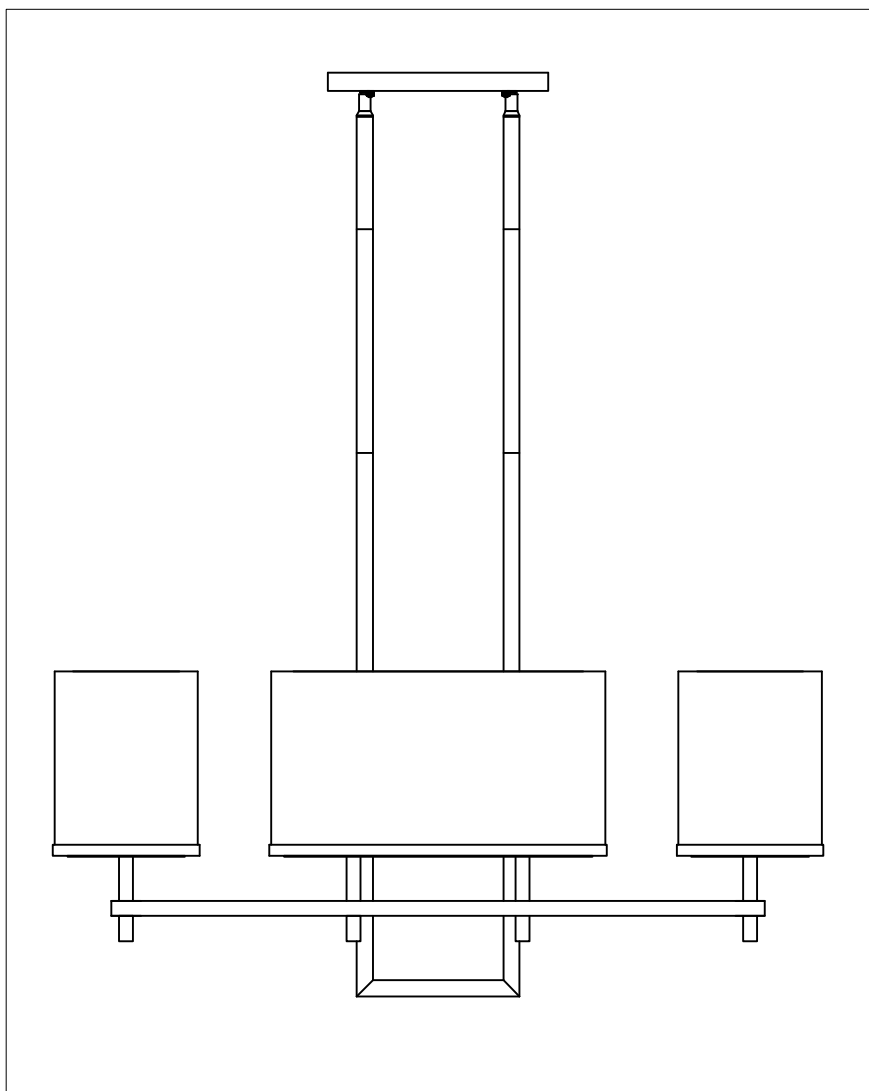




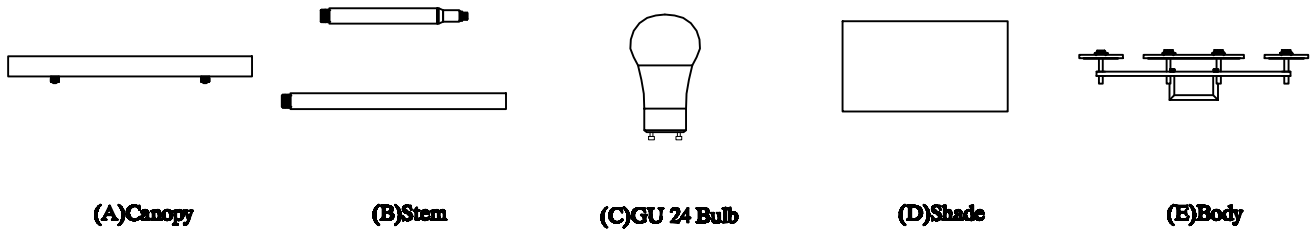
PRODUCT NAME: Hennessy
ITEM NUMBER: 43444

Please consult your electrician for hanging fixture and wiring.

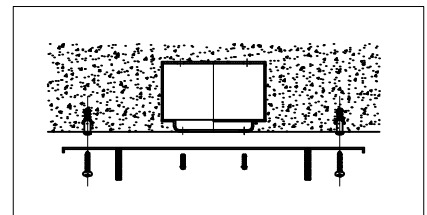
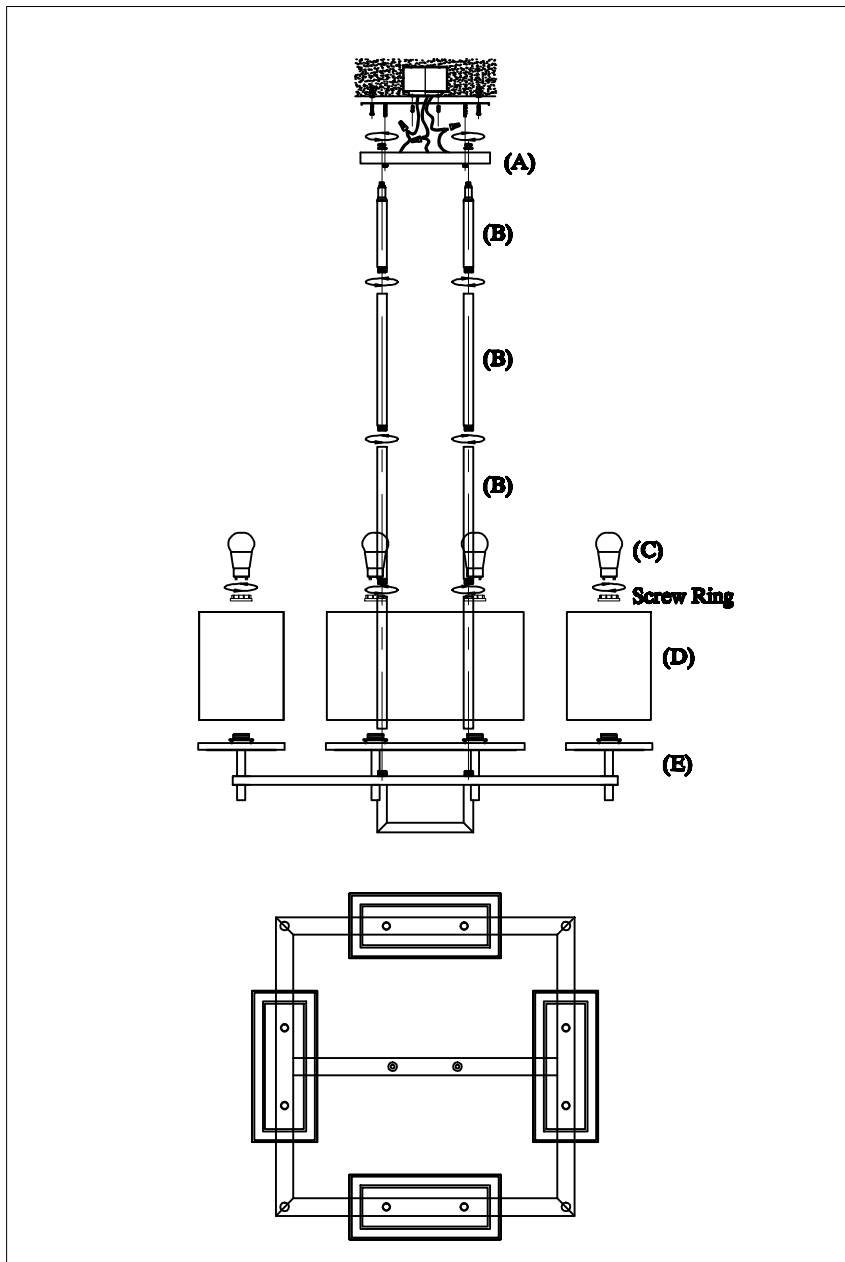


Bulb(included): 8 x GU24 LED 9W

IMPORTANT: Turn off the power at the main fuse or circuit breaker box before starting installatio

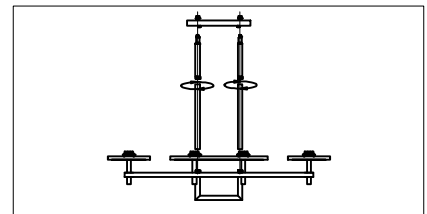


Locate all hardware & components before discarding packaging



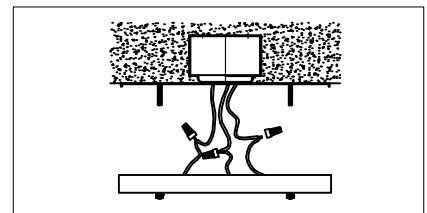
1.)

Step.1: Remove mounting bracket from fixture and install to electrical box



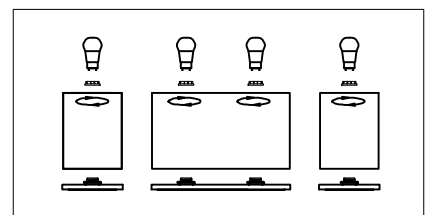
2.)

Step.2: Run wire through stems (B) and combine setm lengths to meet desired mounting height



3.)

Step.3: Wire fixture to wires in outlet box. Copper/Green wire is for Ground. Install fixture to bracket and tighten screws at the ends of the canopy (A) to secure



4.)

Step.4: Secure the lamp shade (D) to the lamp body (E) using the screw ring around the socket. Install the LED GU24 bulbs (C) provided.

Cleaning & Care:
Clean with soft cloth and a mild detergent.
Do not use abrasive cleaner.