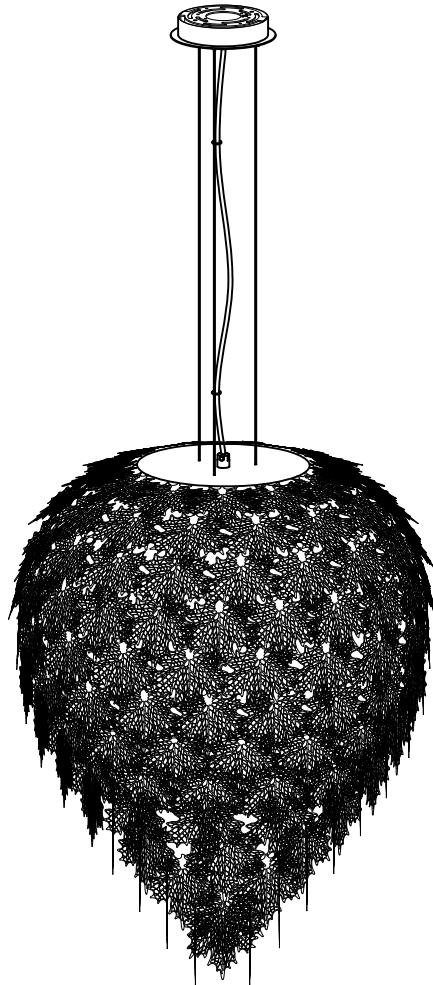




PRODUCT NAME:Vineyard
ITEM NUMBER:39768

Please consult your electrician for hanging fixture and wiring.



CAUTION:Xenon bulbs get very hot and may burn you. Always make sure bulbs are off for a minimum of 10 minutes before handling. Fixture may be dimmed using a magnetic low voltage dimmer

Bulb(included): 5xG9 40W

IMPORTANT: Turn off the power at the main fuse or circuit breaker box before starting installation

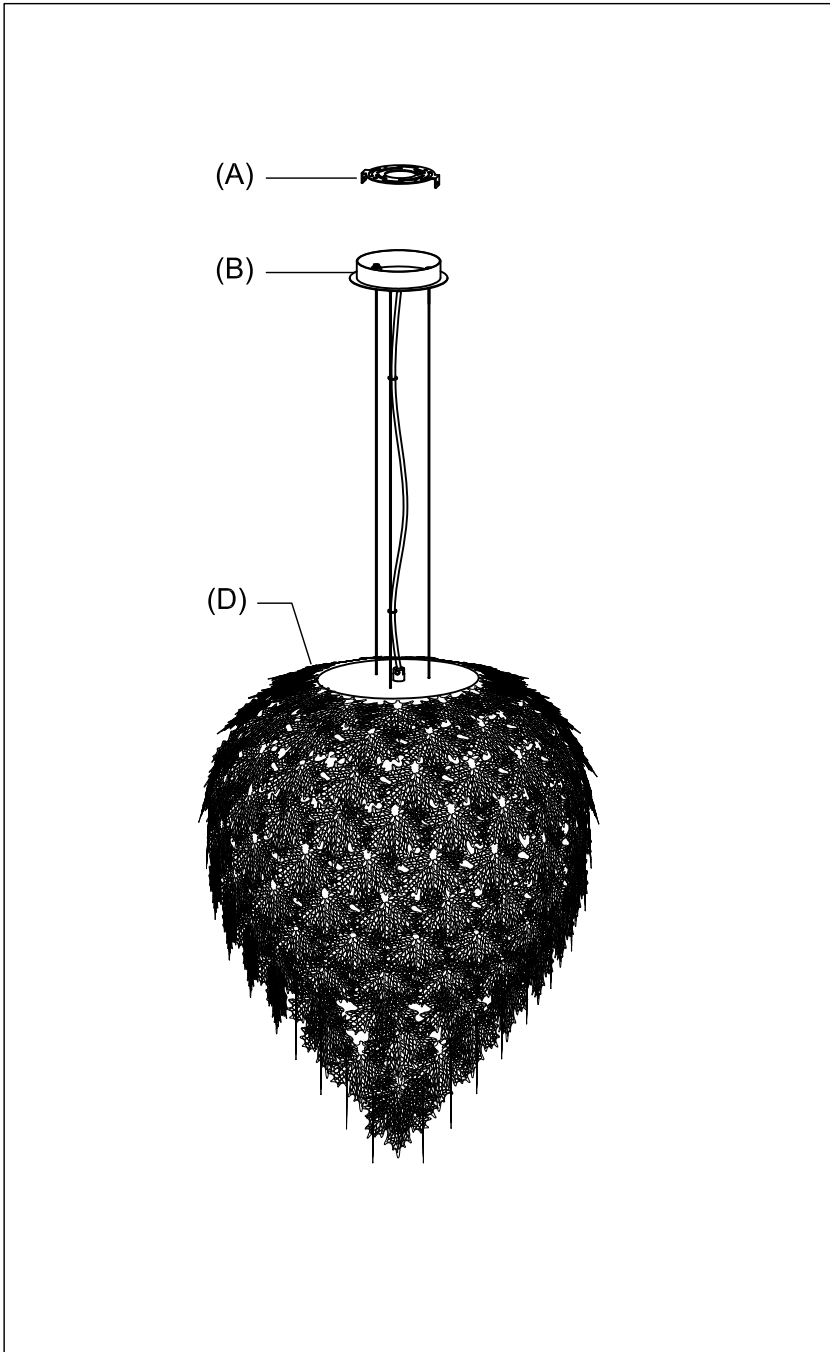


Bracket(A)

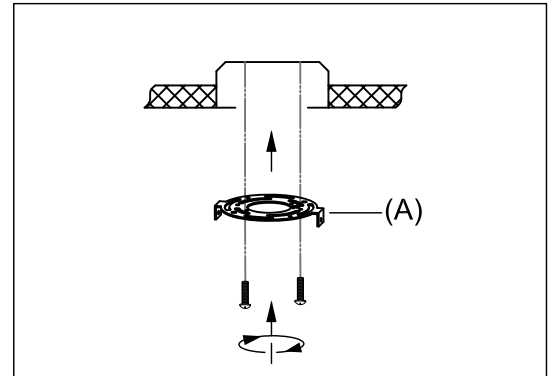


Canopy(B)

Locate all hardware & components before discarding packaging

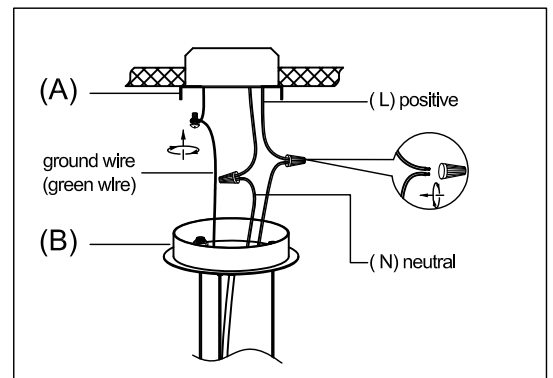


1.)



Step.1: Remove mounting bracket (A) from fixture and install to electrical box.

2.)

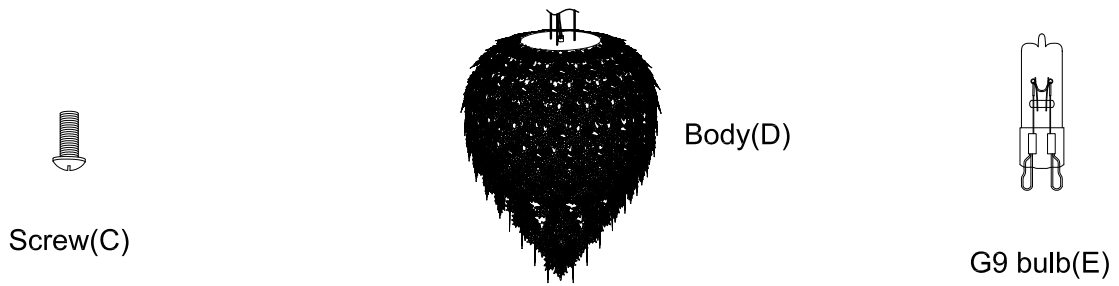


Step.2: Wire fixture to wires in outlet box. Green wire is for Ground.

Cleaning & Care:

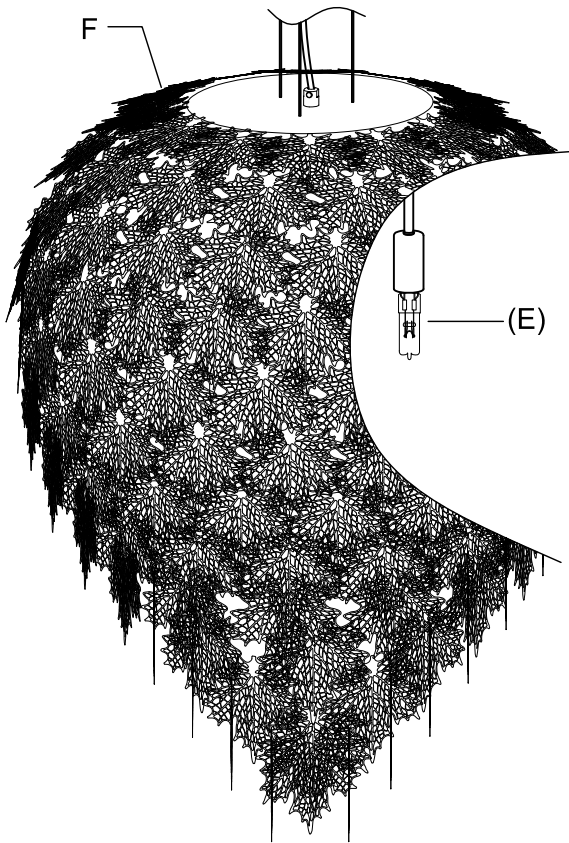
Clean with soft cloth and a mild detergent.
Do not use abrasive cleaner.

IMPORTANT: Turn off the power at the main fuse or circuit breaker box before starting installation

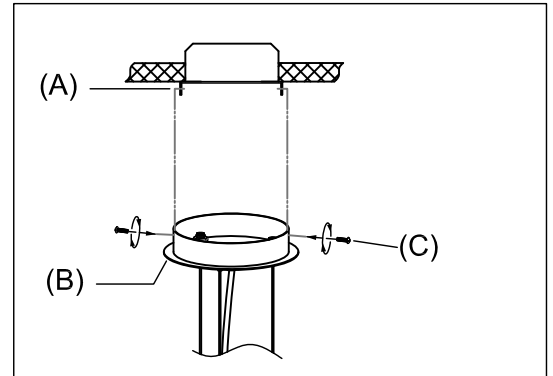


Locate all hardware & components before discarding packaging

F: THE LEAVES LEA39763PC 116 PCS

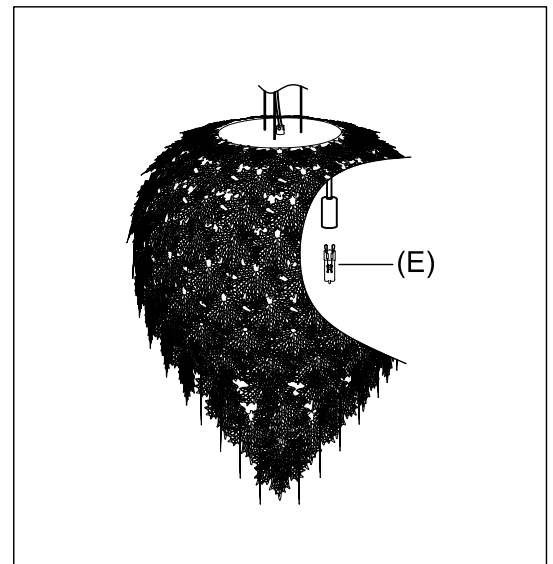


3.)



Step.3: Adjust wire length to desired mounting height using push pin. Install canopy (B) to bracket and tighten lock nut (C) on wire to secure.

4.)



Step.4: Install G9 bulb (E).

Cleaning & Care:

Clean with soft cloth and a mild detergent.
Do not use abrasive cleaner.