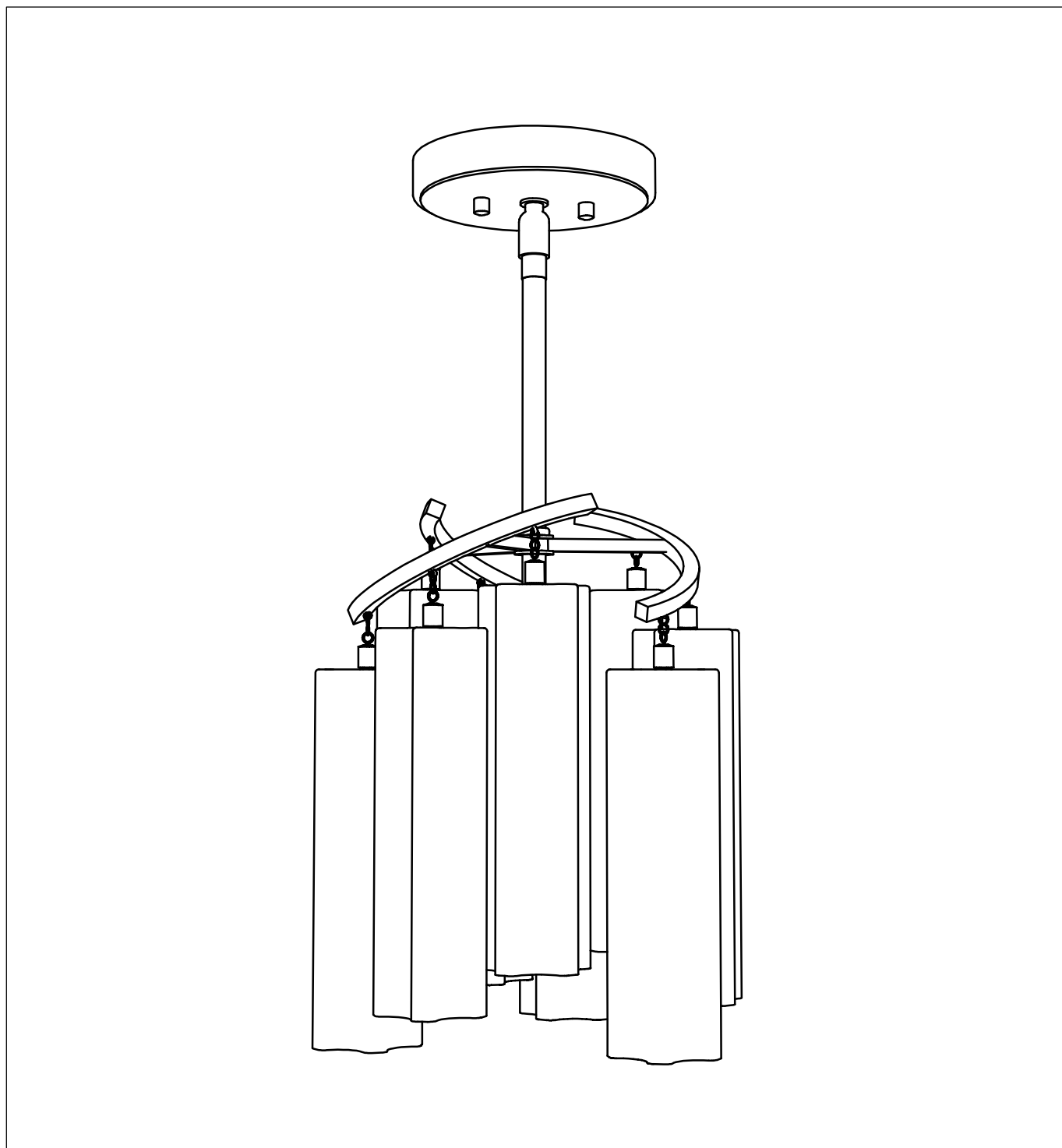




**PRODUCT NAME: VICTORIA**

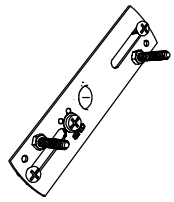
**ITEM NUMBER: 39573WFLGS**

**Please consult your electrician for hanging fixture and wiring.**

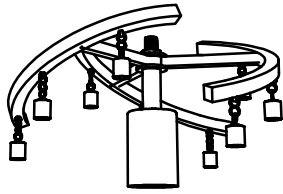


**E27 1X60W**

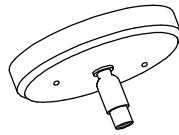
**IMPORTANT: Turn off the power at the main fuse or circuit breaker box before starting installation.**



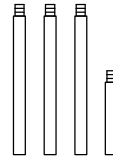
Mounting Strap (A)



Body (B)



Canopy (C)



Rod (D)

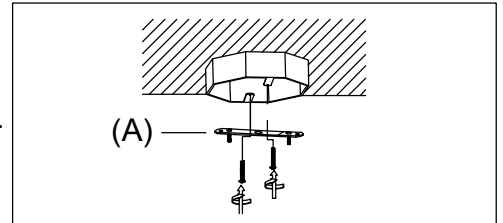
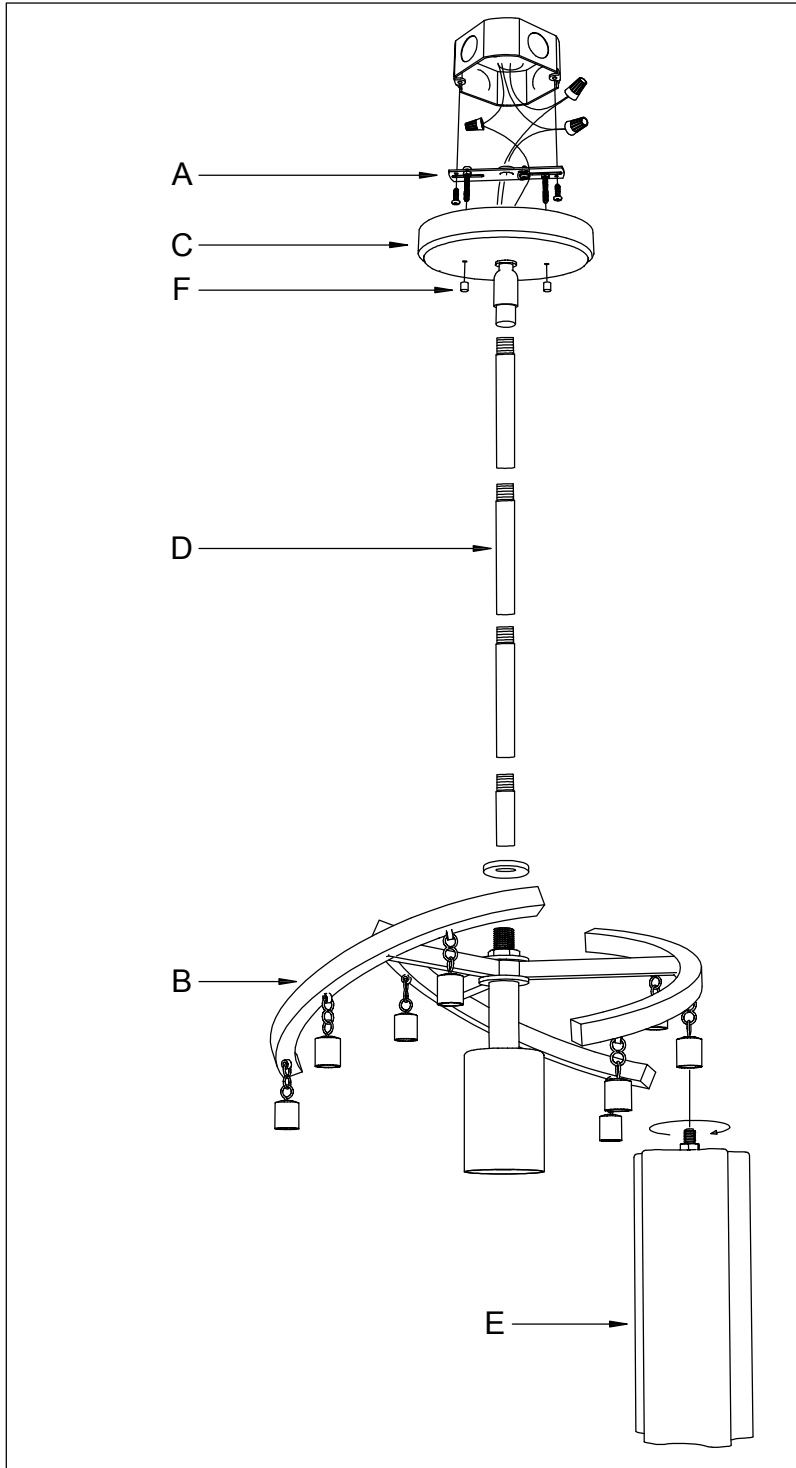


Glass (E)

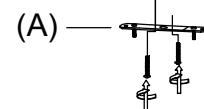


Nut (F)

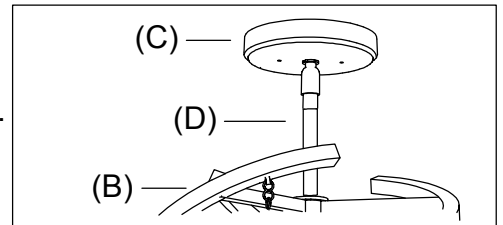
**Locate all hardware & components before discarding packaging**



1).

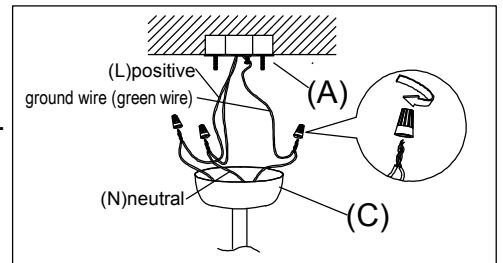


Step.1: Remove mounting bracket (A) from fixture and install to electrical box.



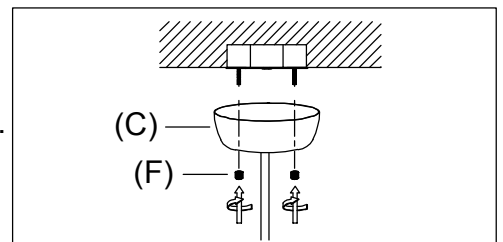
2).

Step.2: Determine correct length of rod needed for hanging height. Screw the Rod (D) on the Body (B) and Canopy (C).



3).

Step.3: Wire fixture to wires in outlet box. Green wire is for Ground.



4).

Step.4: Install body (B) to bracket (A) and tighten nut (F) on the canopy (C) to secure. Screw glass (E) to the coupling. Install light bulb.

**Cleaning & Care:**

Clean with soft cloth and a mild detergent.  
Do not use abrasive cleaner.