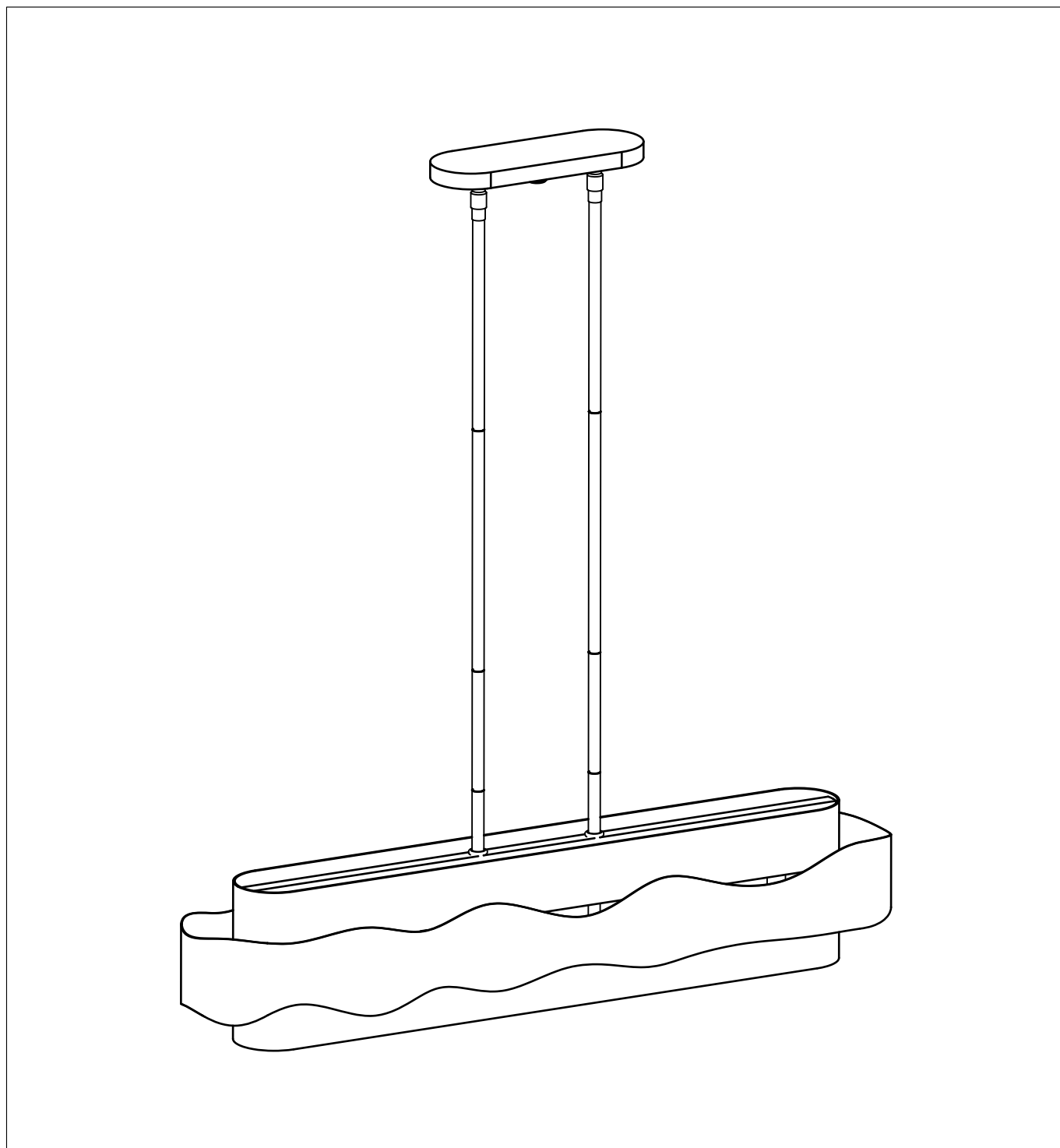




PRODUCT NAME: FLOW

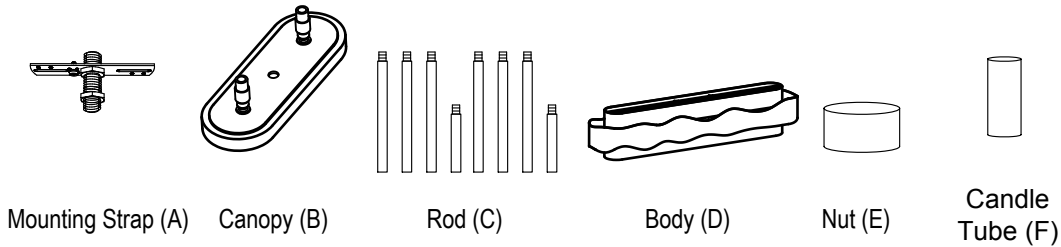
ITEM NUMBER: 38397BZGTGLD

Please consult your electrician for hanging fixture and wiring.

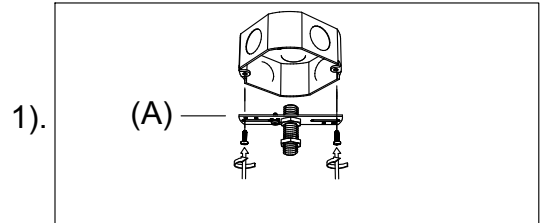
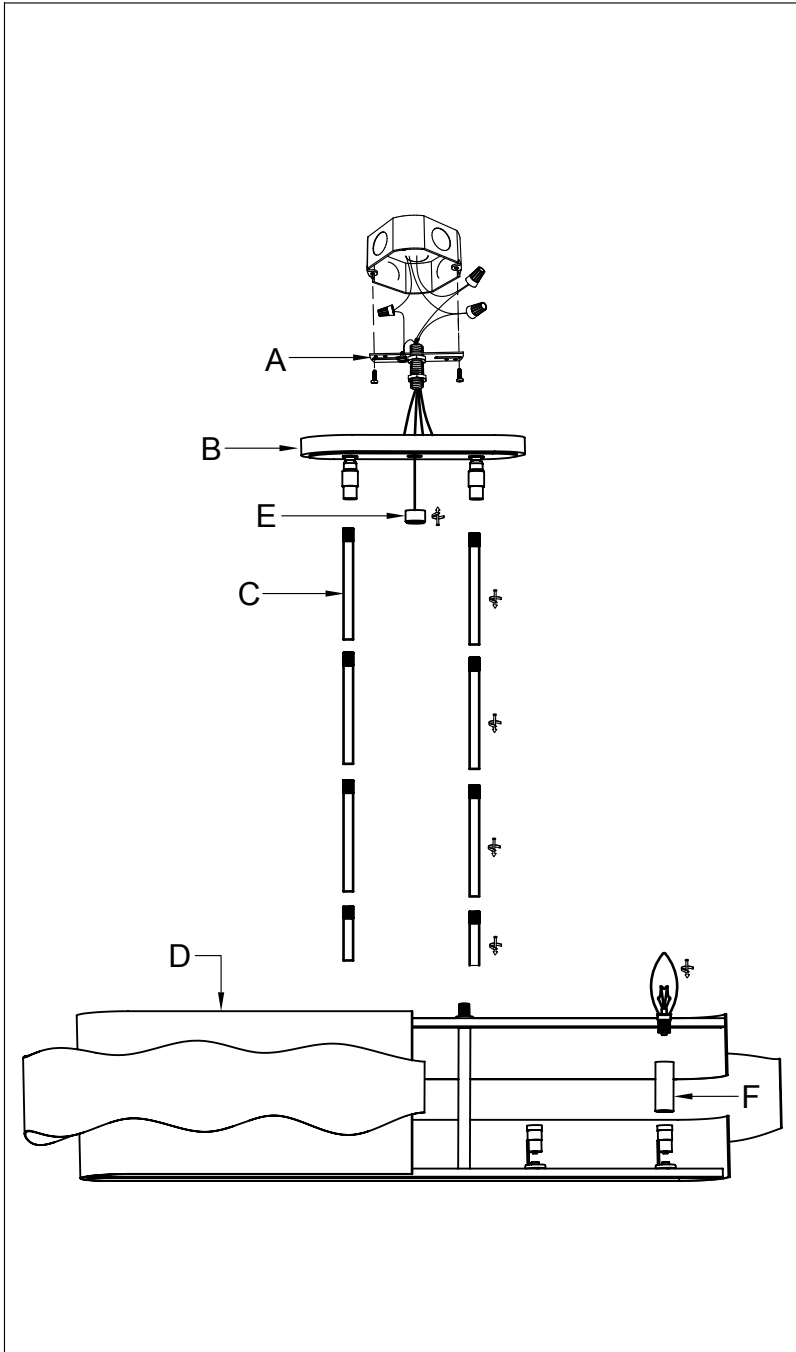


E12 5X60W (No bulb included)

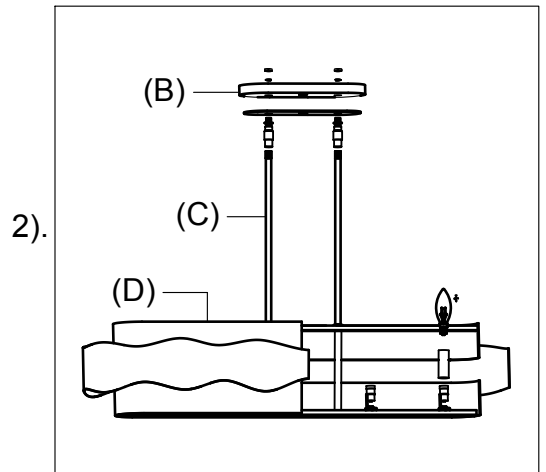
**IMPORTANT: Turn off the power at the main fuse or circuit breaker box before starting installation.**



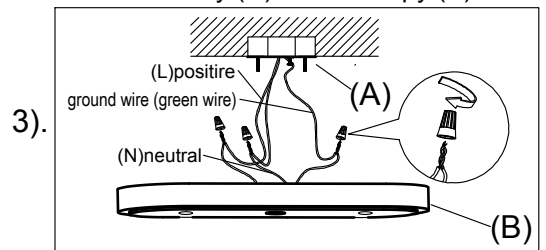
**Locate all hardware & components before discarding packaging**



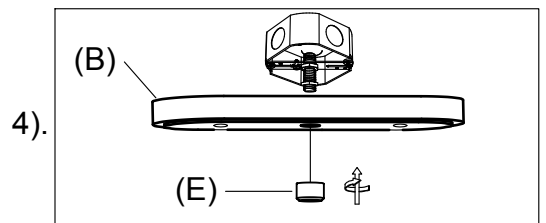
1. Remove mounting Strap (A) from fixture and install to electrical box.



2. Determine correct length of rod needed for hanging height. Screw the Rod (C) on the Body (D) and Canopy (B).



3. Wire fixture to wires in outlet box. Green wire is for Ground.



4. Install body (D) to Mounting Strap (A) and tighten nut (E) on the canopy to secure. Place the Candle Tube (F) over the socket and Install light bulb.

**Cleaning & Care:**  
Clean with soft cloth and a mild detergent.  
Do not use abrasive cleaner.