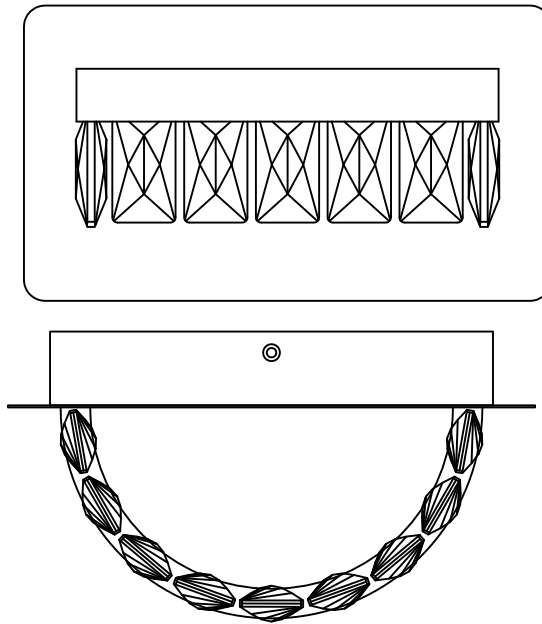




PRODUCT NAME: Icycle LED Wall Sconce  
ITEM NUMBER:38371BCPC

Please consult your electrician for hanging fixture and wiring.



The fixture is designed to dim with a standard Triac forward phase dimmer. Dimming levels will vary by dimmer.

Below is a list of recommended dimmers:

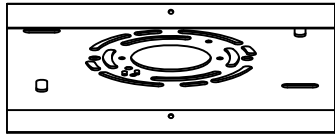
Lutron DVELV-300P  
Lutron MACL-153M  
Lutron DVCL-153P  
Lutron SCL-153P  
Leviton IPL06-10Z  
Leviton 6674-POW

Due to inrush current wattage should not exceed 150 watts of product for a 600 watt dimmer.

Warning! Wires need to be connected to driver found in canopy and should not be connected directly to power source or a short may occur.

Bulb(integrated):LED 11.6W

IMPORTANT: Turn off the power at the main fuse or circuit breaker box before starting installation



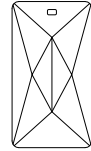
(A)  
Mounting Bracket



(B)  
Wire Nut

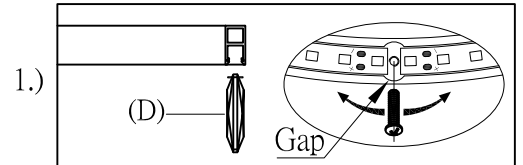
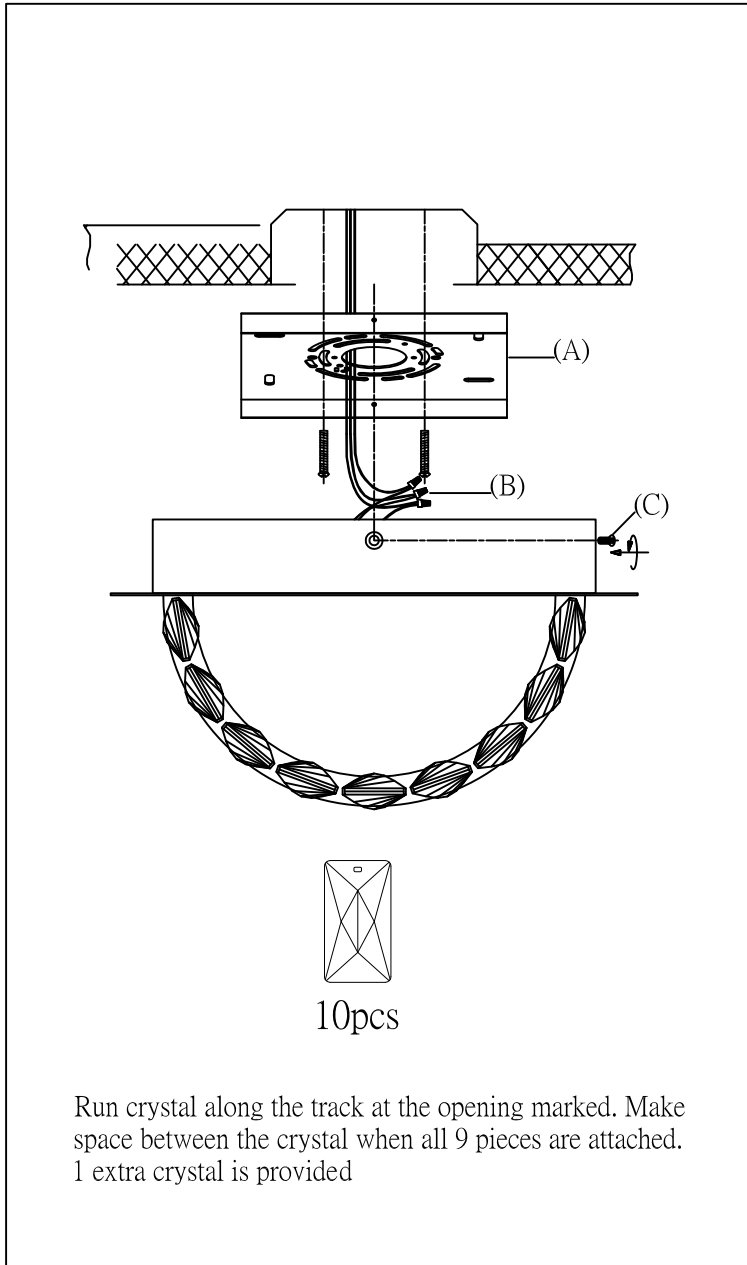


(C)  
Screw

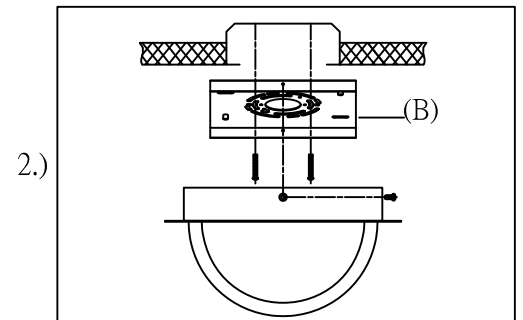


(D)  
crystal

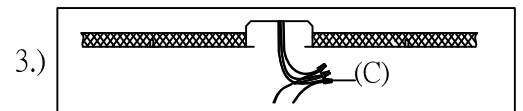
Locate all hardware & components before discarding packaging



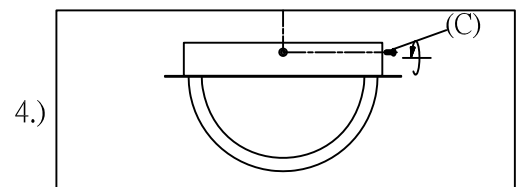
Step.1: Please refer to the gap mark, insert the crystal (D) into the Aluminum track, then fixed the screw.



Step.2: Remove mounting bracket (B) from fixture and install to electrical box.



Step.3: Wire fixture to wires (C) in outlet box. Copper wire is for Ground.



Step.4: Install lamp body to back plate using two screws (D) on side to secure.

### Cleaning & Care:

Clean with soft cloth and a mild detergent.  
Do not use abrasive cleaner.