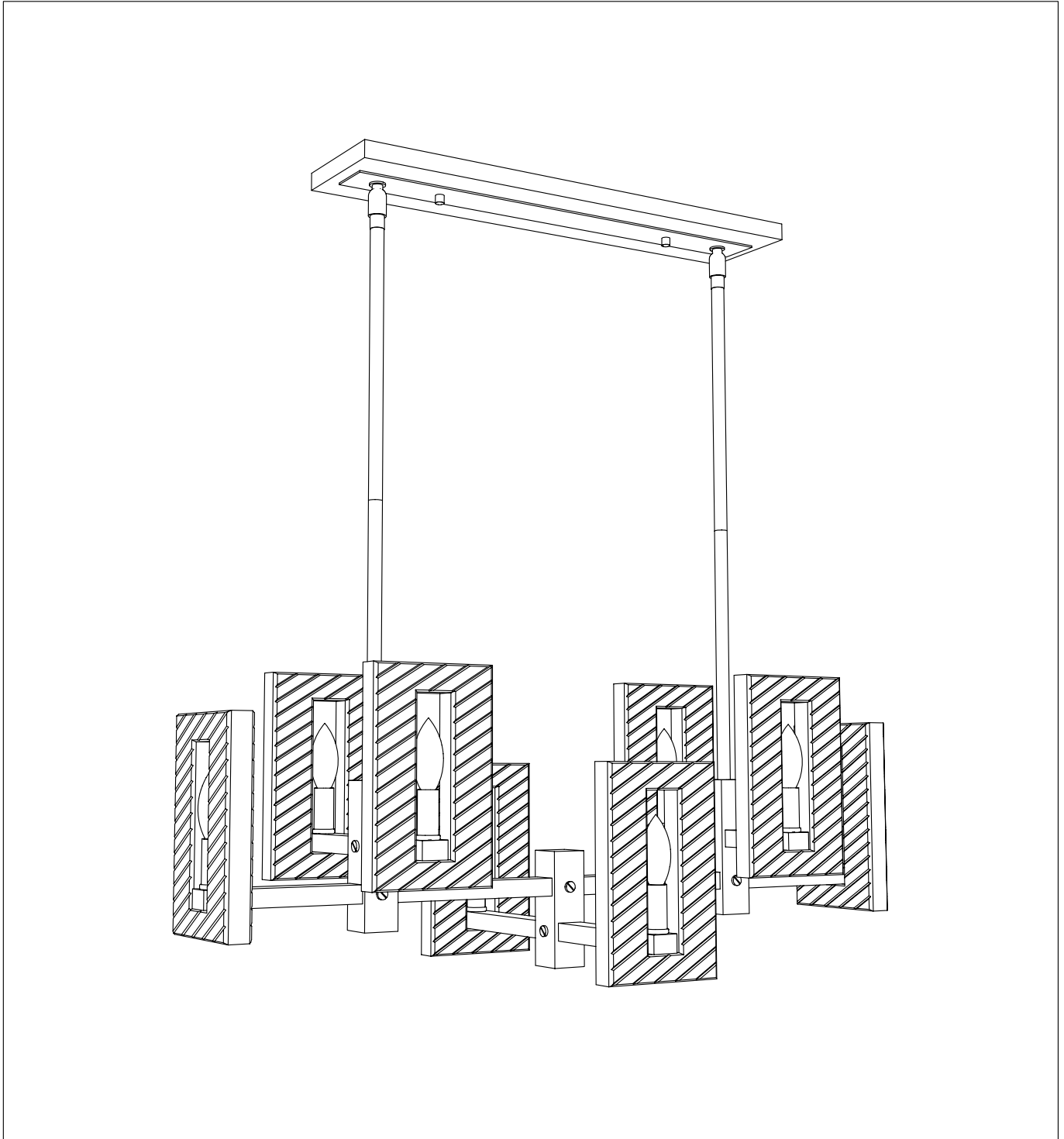




PRODUCT NAME: SUAVE

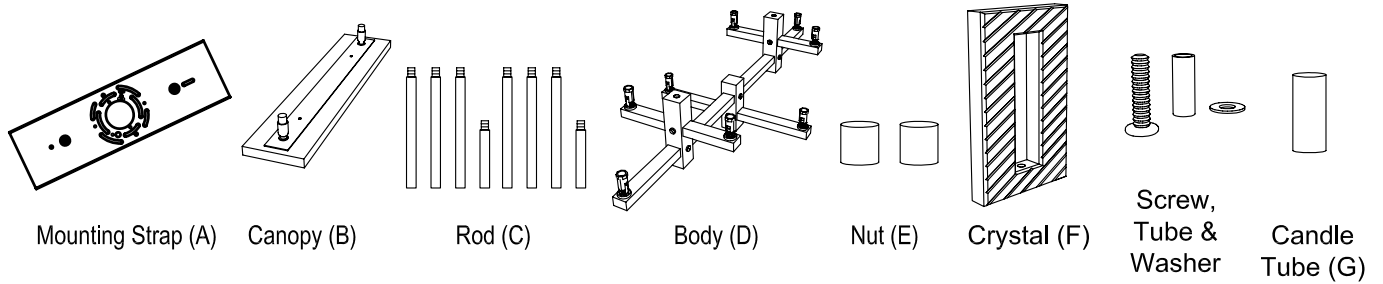
ITEM NUMBER: 38015BCPN

Please consult your electrician for hanging fixture and wiring.

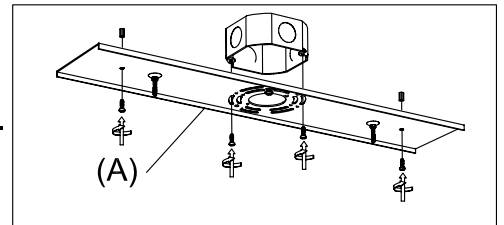
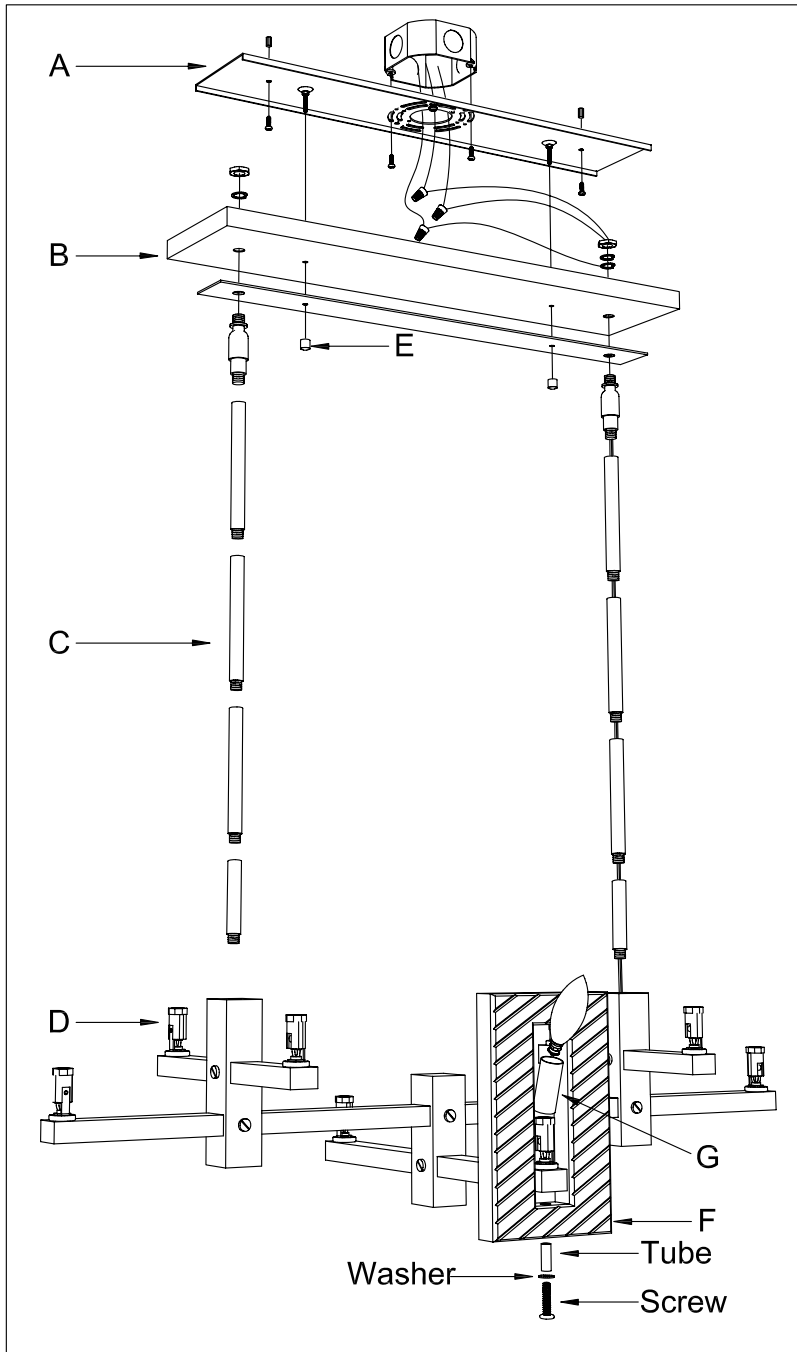


E12 8X60W (No bulb included)

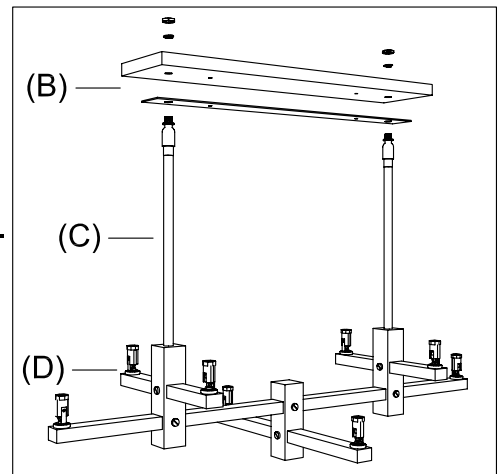
**IMPORTANT: Turn off the power at the main fuse or circuit breaker box before starting installation.**



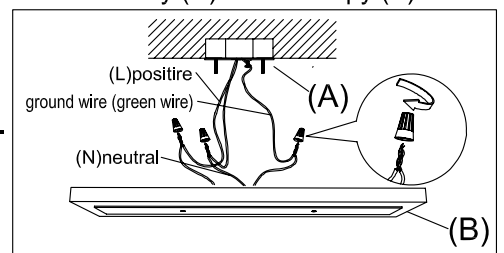
**Locate all hardware & components before discarding packaging**



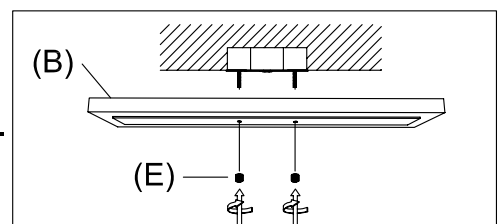
Step.1: Remove Mounting Strap (A) from fixture and install to electrical box.



Step.2: Determine correct length of rod needed for hanging height. Screw the Rod (C) on the Body (D) and Canopy (B).



Step.3: Wire fixtures to wires in outlet box. Silver wire is for ground.



Step.4: Install body (D) to Mounting Strap (A) and tighten nut (E) on the canopy to secure. Install Crystal (F) on the body and secure with tube, washer & screw. Place the Candle Tube (G) over the socket and Install light bulb.

**Cleaning & Care:**  
Clean with soft cloth and a mild detergent.  
Do not use abrasive cleaner.